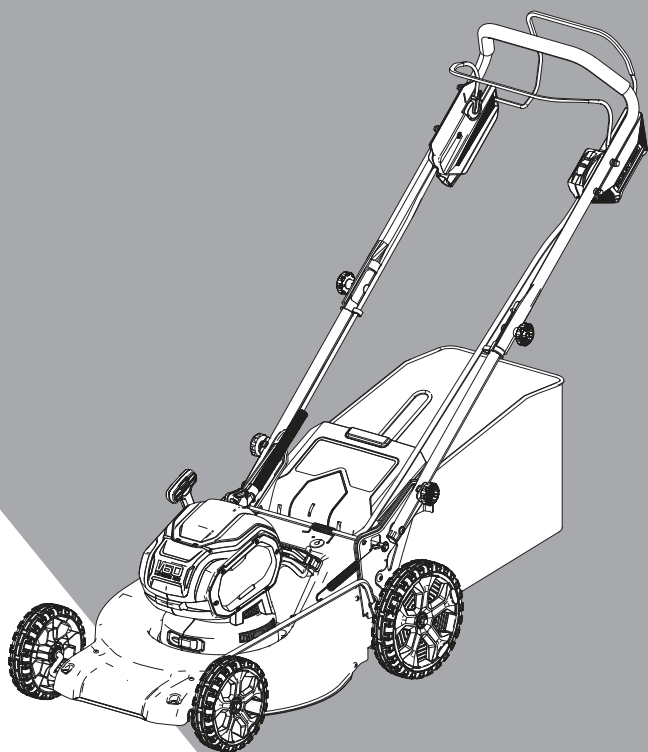


# STANLEY®

# FATMAX®

# V60

# LITHIUM ION



**SFMCMS2653**



Fig. A

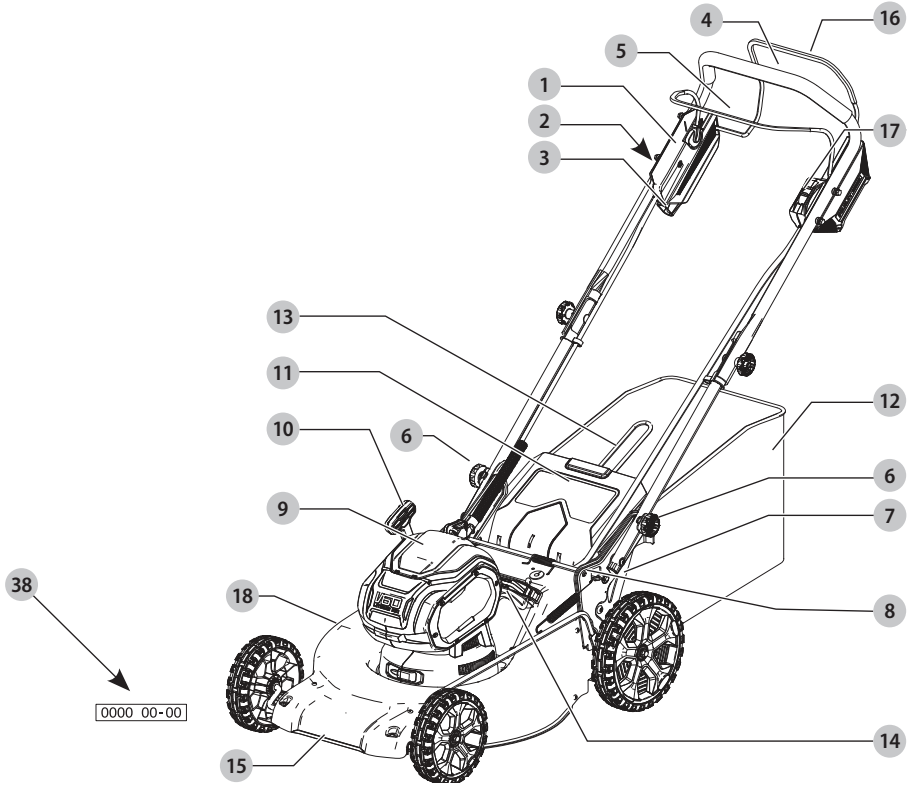


Fig. B

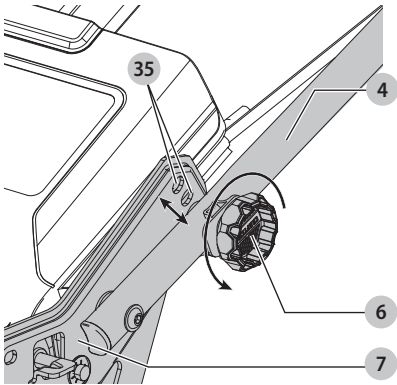


Fig. C

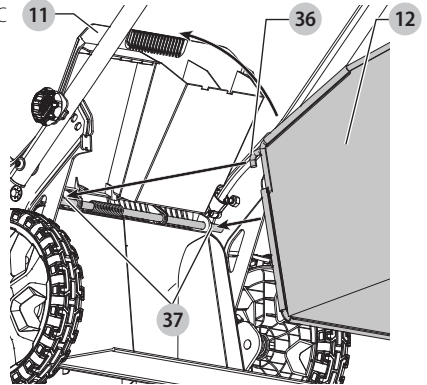


Fig. D

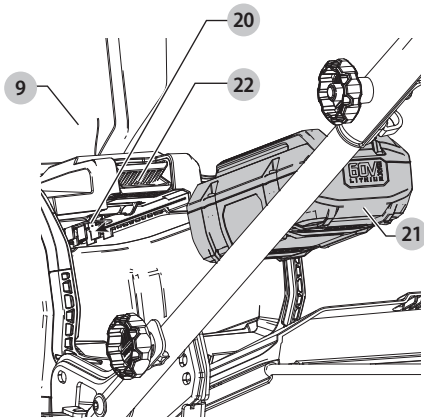


Fig. E

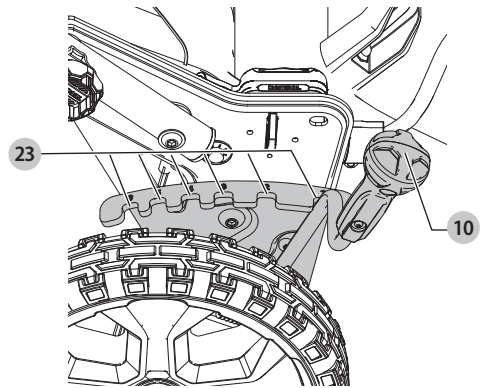


Fig. F

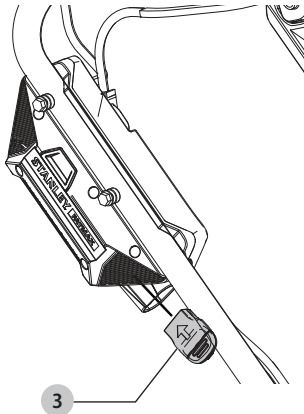


Fig. G

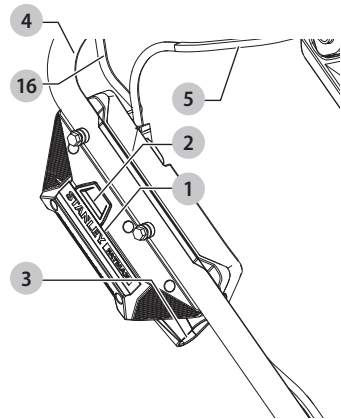


Fig. H

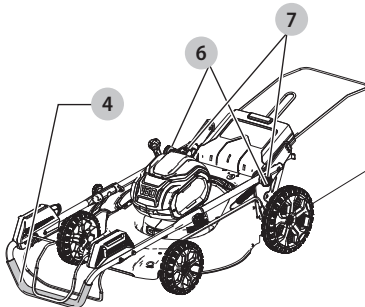


Fig. I

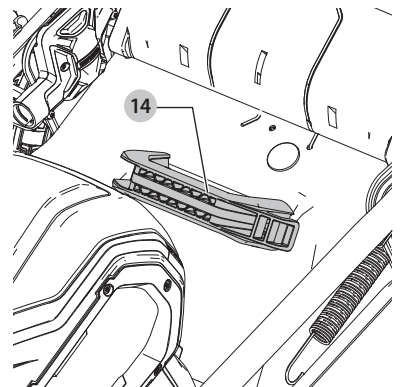


Fig. J

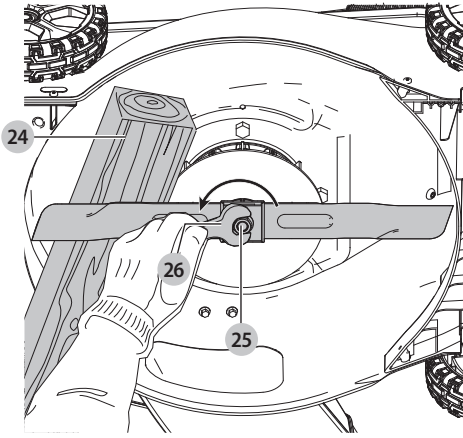


Fig. K

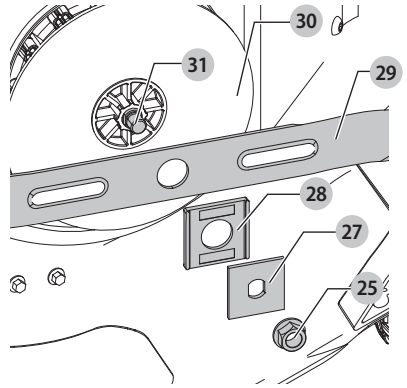


Fig. L

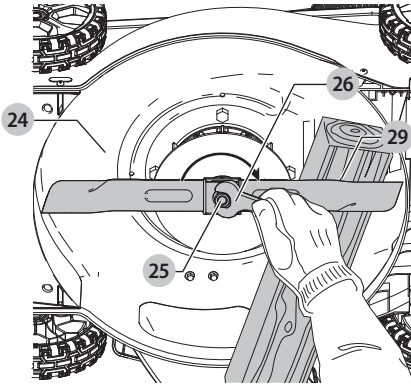


Fig. M

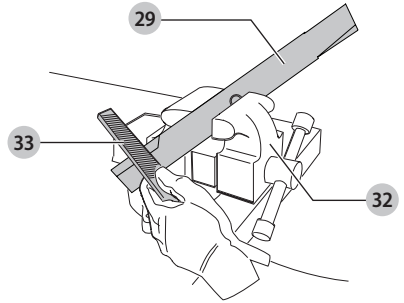
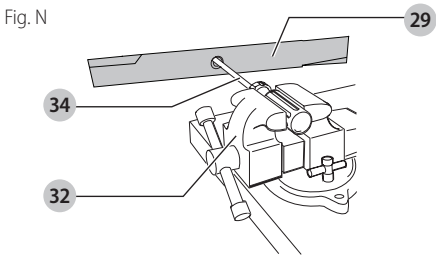


Fig. N



# 54V LAWN MOWER

## SFMCMS2653

### Congratulations!

You have chosen a STANLEY FATMAX tool. Years of experience, thorough product development and innovation make STANLEY FATMAX one of the most reliable partners for professional power tool users.

### Technical Data

		SFMCMS2653
Voltage	V <sub>DC</sub>	54
Type		1
Battery type		Li-Ion
No load speed	rpm	3300
Blade Length	cm	51
Weight (without battery pack)	kg	36.5

Noise values and vibration values (triax vector sum) according to EN60335:

L <sub>PA</sub> (emission sound pressure level)	dB(A)	78.0
L <sub>WA</sub> (sound power level)	dB(A)	91.5
K (uncertainty for the given sound level)	dB(A)	1.4

Hand/arm weighted vibration value:

Vibration emission value a <sub>h</sub> =	m/s <sup>2</sup>	<2.5
Uncertainty K =	m/s <sup>2</sup>	1.5

The vibration emission level given in this information sheet has been measured in accordance with a standardised test given in EN60335 and may be used to compare one tool with another. It may be used for a preliminary assessment of exposure.



**WARNING:** The declared vibration emission level represents the main applications of the tool. However if the tool is used for different applications, with different accessories or poorly maintained, the vibration emission may differ. This may significantly increase the exposure level over the total working period.

An estimation of the level of exposure to vibration should also take into account the times when the tool is switched off or when it is running but not actually doing the job.

This may significantly reduce the exposure level over the total working period.

Identify additional safety measures to protect the operator from the effects of vibration such as: maintain the tool and the accessories, keep the hands warm, organisation of work patterns.

Battery Cat #	Output Voltage	Ah	Charger SFMCB6012
SFMCB6025	54	2.5	X
SFMCB605	54	5	X
SFMCB6075	54	7.5	X

"X" Indicates that the battery pack is compatible with that specific charger. Read the instruction manual for more specific information.

### EC-Declaration of Conformity

#### Machinery Directive



#### Lawn Mower SFMCMS2653

STANLEY FATMAX declares that these products described under **Technical Data** are in compliance with:

2006/42/EC, EN60335-1:2012 + A11:2014, EN 60335-2-77:2010.

These products also comply with Directive 2014/30/EU and 2011/65/EU. For more information, please contact STANLEY FATMAX at the following address or refer to the back of the manual.

The undersigned is responsible for compilation of the technical file and makes this declaration on behalf of STANLEY FATMAX.

2000/14/EC, Lawn Mower, 50 < L ≤ 70 cm, Annex VI, DEKRA Certification B.V., Meander 1051 / P.O. Box 5185

6825 MJ ARNHEM / 6802 ED ARNHEM, Netherlands

Notified Body ID No.: 0344

Level of acoustic power according to 2000/14/EC (Article 12, Annex III, 50 < L ≤ 70 cm):

L<sub>PA</sub> (emission sound pressure) 78.0 dB(A)  
uncertainty (K) = 1,4 dB(A)

L<sub>WA</sub> (guaranteed sound power) 98 dB(A)

A. P. Smith

Technical Director

STANLEY FATMAX Europe, Egide Walschaertsstraat 14-18,  
2800 Mechelen, Belgium

10.11.2019




**WARNING:** To reduce the risk of injury, read the instruction manual.


### Definitions: Safety Guidelines

The definitions below describe the level of severity for each signal word. Please read the manual and pay attention to these symbols.





**DANGER:** Indicates an imminently hazardous situation which, if not avoided, **will** result in **death or serious injury**.

 **WARNING:** Indicates a potentially hazardous situation which, if not avoided, **could** result in **death or serious injury**.


 **CAUTION:** Indicates a potentially hazardous situation which, if not avoided, **may** result in **minor or moderate injury**.


**NOTICE:** Indicates a practice **not related to personal injury** which, if not avoided, **may** result in **property damage**.

 Denotes risk of electric shock.

 Denotes risk of fire.

## Safety Instructions

 **WARNING:** When using cordless appliances, basic safety precautions, including the following, should always be followed to reduce the risk of fire, electric shock, personal injury and material damage.

 **WARNING:** When using the machine the safety rules must be followed. For your own safety and bystanders please read these instructions before operating the machine. Please keep the instructions safe for later use.

- Read all of this manual carefully before operating the appliance.
- The intended use is described in this manual. The use of any accessory or attachment or the performance of any operation with this appliance other than those recommended in this instruction manual may present a risk of personal injury.
- Retain this manual for future reference.

## SAVE ALL WARNINGS AND INSTRUCTIONS FOR FUTURE REFERENCE

### Using Your Appliance

Always take care when using the appliance.

- This appliance is not intended for use by young or infirm persons without supervision.
- The appliance is not to be used as a toy.
- Do not allow children or animals to come near the work area or touch the appliance.
- Close supervision is necessary when the appliance is used near children.
- Use in a dry location only. Do not allow the appliance to become wet.
- Do not immerse the appliance in water.
- Do not open body casing. There are no user serviceable parts inside.
- Do not operate the appliance in explosive atmospheres, such as in the presence of flammable liquids, gases or dust.
- Before using, always visually inspect to see that the blades, blade bolts and cutter assembly are not worn or damaged.

Replace worn or damaged blades and bolts in sets to preserve balance.

- Never operate the machine while people, especially children, or pets are nearby.
- Keep in mind that the operator or user is responsible for accidents or hazards occurring to other people or their property.

### Before Use

- While operating the machine always wear substantial footwear and long trousers. Do not operate the machine when barefoot or wearing open sandals. Avoid wearing clothing that is loose fitting or that has hanging cords or ties.
- Thoroughly inspect the area where the machine is to be used and remove all objects which can be thrown by the machine.
- Before using, always visually inspect to see that the blade, blade bolt and the blade assembly are not worn or damaged. Replace worn or damaged components in sets to preserve balance. Replace damaged or unreadable labels.

### After Use

- When not in use, the appliance should be stored in a dry, well ventilated place out of the reach of children.
- Children should not have access to stored appliances.
- When the appliance is stored or transported in a vehicle it should be placed in the boot or restrained to prevent movement following sudden changes in speed or direction.

### Inspection and Repairs

- Before use, check the appliance for damaged or defective parts. Check for breakage of parts, damage to switches and any other conditions that may affect its operation.
- Do not use the appliance if any part is damaged or defective.
- Have any damaged or defective parts repaired or replaced by an authorised repair agent.
- Never attempt to remove or replace any parts other than those specified in this manual.
- Be careful during adjustment of the mower to prevent entrapment of the fingers between moving blades/parts and fixed parts of the machine.
- When servicing the blades be aware that, even though the power source is switched off, the blades can still be moved.

## Additional Safety Instructions for Lawn Mowers

- Do not transport the machine while the power source is running.
- Firmly grip handle with both hands when operating the lawn mower.
- If at any time it is felt necessary to tilt the lawn mower, make sure that both hands remain in the operating position while the lawn mower is tilted. Keep both hands in the operating position until the lawn mower is returned to rest correctly on the ground.
- Never wear radio or music headphones while operating the lawn mower.

- Never attempt to make a wheel height adjustment while the motor is running or while the safety key is in the switch housing.
- If the lawn mower stalls, release bail bar to turn mower off, wait for blade to stop, before attempting to unclog the chute or remove anything from under the deck.
- Keep hands and feet away from cutting area.
- Keep blades sharp. Always use protective gloves when handling the lawn mower blade.
- If you are using the grass collector, check it frequently for wear and deterioration. If excessively worn, replace with a new grass collector for your safety.
- Use extreme caution when reversing or pulling the lawn mower towards you.
- Do not put hands or feet near or under the lawn mower. Keep clear of the discharger opening at all times.
- Clear the area where the lawn mower is to be used of objects such as rocks, sticks, wire, toys, bones etc., which could be thrown by the blade. Objects struck by the blade can cause severe injury to persons. Stay behind the handle when the motor is running.
- Do not operate the lawn mower barefooted or while wearing sandals. Always wear substantial footwear.
- Do not pull lawn mower backward unless absolutely necessary. Always look down and behind before and while moving backward.
- Never direct discharged material toward anyone. Avoid discharging material against a wall or obstruction. Material may ricochet back toward the operator. Release the bail bar to turn the lawn mower off and stop the blade when crossing gravel surfaces.
- Do not operate the lawn mower without the entire grass collector, discharge guard, rear guard, or other safety protective devices in place and working. Periodically check all guards and safety protective devices to ensure they are in good working order and will operate properly and perform their intended function. Replace a damaged guard or other safety device before further use.
- Never leave a running lawn mower unattended.
- Always release the bail bar to stop the motor and wait until the blade comes to a complete stop before cleaning the lawn mower, removing the grass bag, unclogging the discharge guard, when leaving the lawn mower, or before making any adjustments, repairs or inspections.
- Operate lawn mower only in daylight or good artificial light when objects in the path of the blade are clearly visible from the operating area of the lawn mower.
- Do not operate the lawn mower while under the influence of alcohol or drugs, or when you are tired or ill. Always stay alert, watch what you are doing, and use common sense.
- Avoid dangerous environments. Never operate the lawn mower in damp or wet grass, never use lawn mower in the rain. Always be sure of your footing, walk, never run.
- If the lawn mower should start to vibrate abnormally, release the bail bar, wait for the blade to stop and then check for the cause immediately. Vibration is generally a warning of trouble, see the **Troubleshooting** for advice in the case of abnormal vibration.
- Always wear proper eye and respiratory protection when operating the lawn mower.
- The use of any accessory or attachment not recommended for use with this lawn mower could be hazardous. Only use accessories approved by STANLEY FATMAX.
- Never overreach while operating the lawn mower. Always be sure to keep proper footing and balance at all times while operating the lawn mower.
- Mow across the face of slopes, never up and down. Exercise extreme caution when changing direction on slopes.
- Watch for holes, ruts, bumps, rocks or other hidden objects. Uneven terrain could cause a slip and fall accident. Tall grass can hide obstacles.
- Do not mow on wet grass or excessively steep slopes. Poor footing could cause a slip and fall accident.
- Do not mow near drop-offs, ditches, or embankments. You could lose your footing or balance.
- Always allow the mower to cool down before storing.
- Pull the plug from the socket and pull the battery pack from the machine. Make sure that all moving parts have come to a complete stop:
  - Whenever you leave the machine;
  - Before clearing a blockage;
  - Before checking, cleaning or working on the appliance.

## Safety of Others

- This appliance is not intended for use by persons (including children) with reduced physical, sensory or mental capabilities, or lack of experience and knowledge, unless they have been given supervision or instruction concerning use of the appliance by a person responsible for their safety.
- Children must be supervised to ensure that they do not play with the appliance.
- After striking a foreign object. Inspect the appliance for damage and make repairs as necessary.

## Residual Risks

In spite of the application of the relevant safety regulations and the implementation of safety devices, certain residual risks cannot be avoided. These are:

- Injuries caused by touching any rotating/moving parts.
- Injuries caused when changing any parts, blades or accessories.
- Injuries caused by prolonged use of a tool. When using any tool for prolonged periods ensure you take regular breaks.
- Impairment of hearing.
- Health hazards caused by breathing dust developed when using your tool (example:- working with wood, especially oak, beech and MDF)
- Never pick up or carry an appliance while the motor is running.



## Electrical Safety

The electric motor has been designed for one voltage only. Always check that the battery pack voltage corresponds to the voltage on the rating plate. Also make sure that the voltage of your charger corresponds to that of your mains.



Your STANLEY FATMAX charger is double insulated in accordance with EN60335; therefore no earth wire is required.

If the supply cord is damaged, it must be replaced by a specially prepared cord available through the STANLEY FATMAX service organisation.

## Mains Plug Replacement (U.K. & Ireland Only)

If a new mains plug needs to be fitted:

- Safely dispose of the old plug.
- Connect the brown lead to the live terminal in the plug.
- Connect the blue lead to the neutral terminal.



**WARNING:** No connection is to be made to the earth terminal.

Follow the fitting instructions supplied with good quality plugs. Recommended fuse: 3 A.

## Using an Extension Cable

An extension cord should not be used unless absolutely necessary. Use an approved extension cable suitable for the power input of your charger (see **Technical Data**). The minimum conductor size is 1 mm<sup>2</sup>; the maximum length is 30 m.

When using a cable reel, always unwind the cable completely.

## SAVE THESE INSTRUCTIONS

### Chargers

STANLEY FATMAX chargers require no adjustment and are designed to be as easy as possible to operate.

### Important Safety Instructions for All Battery Chargers

**SAVE THESE INSTRUCTIONS:** This manual contains important safety and operating instructions for compatible battery chargers (refer to **Technical Data**).

- Before using charger, read all instructions and cautionary markings on charger, battery pack, and product using battery pack.



**WARNING:** Shock hazard. Do not allow any liquid to get inside charger. Electric shock may result.



**WARNING:** We recommend the use of a residual current device with a residual current rating of 30mA or less.



**CAUTION:** Burn hazard. To reduce the risk of injury, charge only STANLEY FATMAX rechargeable batteries. Other types of batteries may burst causing personal injury and damage.



**CAUTION:** Children should be supervised to ensure that they do not play with the appliance.

**NOTICE:** Under certain conditions, with the charger plugged into the power supply, the exposed charging

contacts inside the charger can be shorted by foreign material. Foreign materials of a conductive nature such as, but not limited to, steel wool, aluminum foil or any buildup of metallic particles should be kept away from charger cavities. Always unplug the charger from the power supply when there is no battery pack in the cavity. Unplug charger before attempting to clean

- **DO NOT attempt to charge the battery pack with any chargers other than the ones in this manual.** The charger and battery pack are specifically designed to work together.
- **These chargers are not intended for any uses other than charging STANLEY FATMAX rechargeable batteries.** Any other uses may result in risk of fire, electric shock or electrocution.
- **Do not expose charger to rain or snow.**
- **Pull by plug rather than cord when disconnecting charger.** This will reduce risk of damage to electric plug and cord.
- **Make sure that cord is located so that it will not be stepped on, tripped over, or otherwise subjected to damage or stress.**
- **Do not use an extension cord unless it is absolutely necessary.** Use of improper extension cord could result in risk of fire, electric shock, or electrocution.
- **Do not place any object on top of charger or place the charger on a soft surface that might block the ventilation slots and result in excessive internal heat.** Place the charger in a position away from any heat source. The charger is ventilated through slots in the top and the bottom of the housing.
- **Do not operate charger with damaged cord or plug—** have them replaced immediately.
- **Do not operate charger if it has received a sharp blow, been dropped, or otherwise damaged in any way.** Take it to an authorised service centre.
- **Do not disassemble charger; take it to an authorised service centre when service or repair is required.** Incorrect reassembly may result in a risk of electric shock, electrocution or fire.
- In case of damaged power supply cord the supply cord must be replaced immediately by the manufacturer, its service agent or similar qualified person to prevent any hazard.
- **Disconnect the charger from the outlet before attempting any cleaning. This will reduce the risk of electric shock.** Removing the battery pack will not reduce this risk.
- **NEVER attempt to connect two chargers together.**
- **The charger is designed to operate on standard 230V household electrical power. Do not attempt to use it on any other voltage.** This does not apply to the vehicular charger.

### Charging a Battery (Fig. B)







1. Plug the charger into an appropriate outlet before inserting battery pack.

2. Insert the battery pack **19** into the charger, making sure the battery pack is fully seated in the charger. The red (charging) light will blink repeatedly indicating that the charging process has started.
3. The completion of charge will be indicated by the red light remaining ON continuously. The battery pack is fully charged and may be used at this time or left in the charger. To remove the battery pack from the charger, push the battery release button **20** on the battery pack.

**NOTE:** To ensure maximum performance and life of lithium-ion battery packs, charge the battery pack fully before first use.

## Charger Operation

Refer to the indicators below for the charge status of the battery pack.

Charge Indicators	
 Charging	
 Fully Charged	
 Hot/Cold Pack Delay*	

\*The red light will continue to blink, but a yellow indicator light will be illuminated during this operation. Once the battery pack has reached an appropriate temperature, the yellow light will turn off and the charger will resume the charging procedure.

The compatible charger(s) will not charge a faulty battery pack. The charger will indicate faulty battery by refusing to light or by displaying problem pack or charger blink pattern.

**NOTE:** This could also mean a problem with a charger.

If the charger indicates a problem, take the charger and battery pack to be tested at an authorised service centre.

## Hot/Cold Pack Delay

When the charger detects a battery pack that is too hot or too cold, it automatically starts a Hot/Cold Pack Delay, suspending charging until the battery pack has reached an appropriate temperature. The charger then automatically switches to the pack charging mode. This feature ensures maximum battery pack life.

A cold battery pack will charge at a slower rate than a warm battery pack. The battery pack will charge at that slower rate throughout the entire charging cycle and will not return to maximum charge rate even if the battery pack warms.

## Wall Mounting

These chargers are designed to be wall mountable or to sit upright on a table or work surface. If wall mounting, locate the charger within reach of an electrical outlet, and away from a corner or other obstructions which may impede air flow. Use the back of the charger as a template for the location of the mounting screws on the wall. Mount the charger securely using drywall screws (purchased separately) at least 25.4 mm long with a screw head diameter of 7–9 mm, screwed into wood to an optimal depth leaving approximately 5.5 mm of the screw exposed. Align the slots on the back of the charger with the exposed screws and fully engage them in the slots.

## Charger Cleaning Instructions

**⚠ WARNING: Shock hazard. Disconnect the charger from the AC outlet before cleaning.** Dirt and grease may be removed from the exterior of the charger using a cloth or soft non-metallic brush. Do not use water or any cleaning solutions. Never let any liquid get inside the tool; never immerse any part of the tool into a liquid.

## Battery Packs

### Important Safety Instructions for All Battery Packs

When ordering replacement battery packs, be sure to include catalogue number and voltage.


The battery pack is not fully charged out of the carton. Before using the battery pack and charger, read the safety instructions below. Then follow charging procedures outlined.


### READ ALL INSTRUCTIONS

- **Do not charge or use battery in explosive atmospheres, such as in the presence of flammable liquids, gases or dust.** Inserting or removing the battery from the charger may ignite the dust or fumes.
- **Never force battery pack into charger. Do not modify battery pack in any way to fit into a non-compatible charger as battery pack may rupture causing serious personal injury.**
- Charge the battery packs only in STANLEY FATMAX chargers.
- **DO NOT splash or immerse in water or other liquids.**
- **Do not store or use the tool and battery pack in locations where the temperature may reach or exceed 40 °C (104 °F) (such as outside sheds or metal buildings in summer).**
- **Do not incinerate the battery pack even if it is severely damaged or is completely worn out.** The battery pack can explode in a fire. Toxic fumes and materials are created when lithium-ion battery packs are burned.
- **If battery contents come into contact with the skin, immediately wash area with mild soap and water.** If battery liquid gets into the eye, rinse water over the open eye for 15 minutes or until irritation ceases. If medical attention is needed, the battery electrolyte is composed of a mixture of liquid organic carbonates and lithium salts.
- **Contents of opened battery cells may cause respiratory irritation.** Provide fresh air. If symptoms persists, seek medical attention.


**⚠ WARNING: Burn hazard.** Battery liquid may be flammable if exposed to spark or flame.

**⚠ WARNING: Never attempt to open the battery pack for any reason.** If battery pack case is cracked or damaged, do not insert into charger. Do not crush, drop or damage battery pack. Do not use a battery pack or charger that has received a sharp blow, been dropped, run over or damaged in any way (i.e., pierced with a nail, hit with a hammer, stepped on). Electric shock or electrocution may result. Damaged battery packs should be returned to service centre for recycling.

 **WARNING: Fire hazard. Do not store or carry the battery pack so that metal objects can contact exposed battery terminals.** For example, do not place the battery pack in aprons, pockets, tool boxes, product kit boxes, drawers, etc., with loose nails, screws, keys, etc.

 **CAUTION: When not in use, place tool on its side on a stable surface where it will not cause a tripping or falling hazard.** Some tools with large battery packs will stand upright on the battery pack but may be easily knocked over.

## Transportation

 **WARNING: Fire hazard.** Transporting batteries can possibly cause fire if the battery terminals inadvertently come in contact with conductive materials. When transporting batteries, make sure that the battery terminals are protected and well insulated from materials that could contact them and cause a short circuit.

STANLEY FATMAX batteries comply with all applicable shipping regulations as prescribed by industry and legal standards which include UN Recommendations on the Transport of Dangerous Goods; International Air Transport Association (IATA) Dangerous Goods Regulations, International Maritime Dangerous Goods (IMDG) Regulations, and the European Agreement Concerning The International Carriage of Dangerous Goods by Road (ADR). Lithium-ion cells and batteries have been tested to section 38.3 of the UN Recommendations on the Transport of Dangerous Goods Manual of Tests and Criteria.

In most instances, shipping a STANLEY FATMAX battery pack will be excepted from being classified as a fully regulated Class 9 Hazardous Material. In general, only shipments containing a lithium-ion battery with an energy rating greater than 100 Watt Hours (Wh) will require being shipped as fully regulated Class 9. All lithium-ion batteries have the Watt Hour rating marked on the pack. Furthermore, due to regulation complexities, STANLEY FATMAX does not recommend air shipping lithium-ion battery packs alone regardless of Watt Hour rating. Shipments of tools with batteries (combo kits) can be air shipped as excepted if the Watt Hour rating of the battery pack is no greater than 100 Whr.

Regardless of whether a shipment is considered excepted or fully regulated, it is the shipper's responsibility to consult the latest regulations for packaging, labeling/marketing and documentation requirements.

The information provided in this section of the manual is provided in good faith and believed to be accurate at the time the document was created. However, no warranty, expressed or implied, is given. It is the buyer's responsibility to ensure that its activities comply with the applicable regulations.

## Storage Recommendations

1. The best storage place is one that is cool and dry away from direct sunlight and excess heat or cold. For optimum battery performance and life, store battery packs at room temperature when not in use.

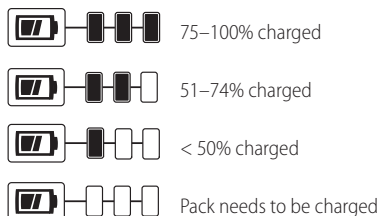
2. For long storage, it is recommended to store a fully charged battery pack in a cool, dry place out of the charger for optimal results.

**NOTE:** Battery packs should not be stored completely depleted of charge. The battery pack will need to be recharged before use.

## Fuel Gauge Battery Packs (Fig. C)

Some STANLEY FATMAX battery packs include a fuel gauge which consists of three green LED lights that indicate the level of charge remaining in the battery pack.

The fuel gauge is an indication of approximate levels of charge remaining in the battery pack according to the following indicators:



To actuate the fuel gauge, press and hold the fuel gauge button. A combination of the three green LED lights will illuminate designating the level of charge left. When the level of charge in the battery is below the usable limit, the fuel gauge will not illuminate and the battery will need to be recharged.

**NOTE:** The fuel gauge is only an indication of the charge left on the battery pack. It does not indicate tool functionality and is subject to variation based on product components, temperature and end-user application.

## Labels on Charger and Battery Pack

In addition to the pictographs used in this manual, the labels on the charger and the battery pack may show the following pictographs:



Read instruction manual before use.



See **Technical Data** for charging time.



Do not probe with conductive objects.



Do not charge damaged battery packs.



Do not expose to water.



Have defective cords replaced immediately.



Charge only between 4 °C and 40 °C.



Only for indoor use.



Discard the battery pack with due care for the environment.



Charge STANLEY FATMAX battery packs only with designated STANLEY FATMAX chargers. Charging battery packs other than the designated STANLEY FATMAX batteries with a STANLEY FATMAX charger may make them burst or lead to other dangerous situations.



Do not incinerate the battery pack.

## Battery Type

The SFMCM52653 operates on a 54V battery packs.

For optimum results, use: SFMCB6025, SFMCB605, SFMCB6075

Refer to **Technical Data** for more information.

## Package Contents

The package contains:

- 1 Lawn mower
- 1 Grass Collection Bag
- 1 Safety Key
- 1 Instruction manual

**NOTE:** Battery packs, chargers and kitboxes are not included with N models. Battery packs and chargers are not included with NT models. B models include Bluetooth® battery packs.

**NOTE:** The Bluetooth® word mark and logos are registered trademarks owned by the Bluetooth®, SIG, Inc. and any use of such marks by STANLEY FATMAX is under license.

Other trademarks and trade names are those of their respective owners.

- Check for damage to the tool, parts or accessories which may have occurred during transport.
- Take the time to thoroughly read and understand this manual prior to operation.

## Markings on Tool

The following pictograms are shown on the tool:



Read instruction manual before use.



Wear ear protection.



Wear eye protection.



Beware of sharp blades. Blades continue to rotate after the motor is switched off. Remove disabling device and battery pack before maintenance.



Beware of flying objects. Keep bystanders away from the cutting area.



Directive 2000/14/EC guaranteed sound power.



Do not expose to rain.



The blades will continue to rotate after the machine is switched off.

## Date Code Position (Fig. A)

The date code **38**, which also includes the year of manufacture, is printed into the housing.

Example:

2019 XX XX

Year of Manufacture

## Description (Fig. A)



**WARNING:** Never modify the power tool or any part of it. Damage or personal injury could result.

- |                               |                                |
|-------------------------------|--------------------------------|
| 1 ON-OFF Switch box           | 9 Battery port cover           |
| 2 ON-OFF button               | 10 Cut height adjust lever     |
| 3 Safety key                  | 11 Rear door cover             |
| 4 Handle                      | 12 Grass collection bag        |
| 5 Bail handle                 | 13 Grass collection bag handle |
| 6 Handle locks                | 14 Upper carrying handle       |
| 7 Handle brackets             | 15 Self drive bail handle      |
| 8 Handle storage detent holes | 16 Self drive speed lever      |

## Intended Use

This lawn mower has been designed for professional lawn mowing applications.

**DO NOT** use under wet conditions or in presence of flammable liquids or gases.

This lawn mower is a professional lawn care appliance.

**DO NOT** let children come into contact with the tool.

Supervision is required when inexperienced operators use this tool.

## ASSEMBLY



**DANGER:** To reduce the risk of serious personal injury, turn unit off, remove safety key, and remove battery pack before assembly, making any adjustments or removing/installing attachments or accessories. An accidental start-up can cause injury.

## Adjusting Handle Height (Fig. B)

The mower is shipped in storage mode. You will need to adjust the handle to operating position before continuing.


1. To unlock the handle **4** from storage position, twist the two handle locks **6** 90°. The handle locks are located on both sides of the handle as shown in Fig. B.
2. Raise the handle to operating position.
3. Locate the three handle detent holes **35** on the handle brackets **7** as shown in Fig. B.
4. Adjust the handle to the position that best fits the operator and lock the handle in place by twisting the handle locks back 90° and allowing the handle locks **6** to snap into the desired detent holes.

## Grass Collection Bag (Fig. C)


 **DANGER:** Remove safety key and battery pack when opening rear door cover and installing bag.

1. Lift the rear door cover **11** and place the grass collection bag **12** onto the mower so the bag hooks **36** rest on the lugs **37** as shown in Fig. C. Then lower the rear door cover.

## OPERATION

 **DANGER:** To reduce the risk of serious personal injury, turn unit off, remove safety key, and remove battery pack before making any adjustments or removing/installing attachments or accessories. An accidental start-up can cause injury.

## Installing and Removing the Battery Pack (Fig. D)

 **DANGER:** MAKE CERTAIN THE SAFETY KEY IS REMOVED TO PREVENT ACTUATION BEFORE REMOVING OR INSTALLING BATTERY.

**NOTE:** For best results, make sure the battery pack is fully charged.

### To Install Battery Pack


1. Lift and hold the battery port cover **9** up to expose the battery port **20**.
2. Slide a battery pack **21** into the battery port until an audible click is heard (Fig. D). Make sure the battery pack is fully seated and fully latched into position.
3. Close the battery port cover. Ensure the cover is fully closed before starting mower.


### To Remove Battery Pack


1. Open the battery port cover **9** as described above.
2. Depress the battery release button **22** on the mower and pull battery pack **21** out of tool.

## READ THIS INSTRUCTION MANUAL BEFORE OPERATING YOUR MOWER

Refer to Figure A at the beginning of this manual for a complete list of components. Save this manual for future reference.

 **DANGER:** Sharp moving blade. Do not operate the mower in mulching mode if the rear door and side discharge door are not closed under spring tension as serious injury could result. Take your mower to the nearest service center for repair.

 **DANGER:** Do not operate mower unless handle is locked into position.

 **DANGER:** Sharp moving blade. Never operate the mower in bagging mode unless the hanger hooks on the grass collection bag are seated properly on the mower and the rear discharge door rests firmly against the top of the grass collection bag as serious injury could result.

 **WARNING:** Let the mower work at its own pace. Do not overload.

## Adjusting Mower Height (Fig. E)


The height of cut is adjusted by the cut height adjust lever.

**NOTE:** If you are not sure which height to cut, begin mowing with the cut height adjustment lever **10** positioned towards the rear of the appliance and adjust the height down as needed, as shown in Fig. E.


### To Set the Height of Cut

1. Pull the cut height adjustment lever **10** out of the locking notch **23**.
2. Move the lever towards the rear of the appliance to raise the height of cut.
3. Move the lever towards the front of the appliance to lower the height of cut.
4. Push the height adjustment lever into one of the locking notches.


## Safety Key (Fig. F)

 **DANGER:** Sharp moving blade. In order to prevent accidental start-up or unauthorized use of your cordless mower, a removable safety key **3** has been incorporated into the design of your mower. The mower will be completely disabled when the safety key has been removed from the mower.

**NOTE:** The safety key **3** has a tether rope to allow for storage on a nail, out of the reach of children. Do not tether safety key to mower.

 **DANGER:** Rotating blades can cause serious injury. To prevent serious injury, remove safety key and battery pack when unattended, or when charging, cleaning, servicing, transporting, lifting, or storing mower.

## Starting Mower (Fig. G)

 **DANGER:** Sharp moving blade. Never attempt to override the operation of this switch box and safety key system as serious injury could result.

**NOTE:** Mower is operational when battery and safety key are installed.

1. Insert safety key **3** into the ON-OFF switch box **1** until it is fully seated inside housing as shown in Fig. G. The mower is now operational.
2. Your mower is equipped with a special ON-OFF switch box **1**. To operate the mower, push and hold the ON-OFF button **2** on the ON-OFF switch box **1**, then pull the bail handle **5** to the handlebar as shown in Fig. G. Once the mower starts you can release the ON-OFF button.

3. To turn the mower OFF, release the bail handle **5**.



**WARNING:** Never attempt to lock a switch or bail handle in the ON position.

**NOTE:** Once the bail handle has returned to the original position it will activate the "Automatic Braking Mechanism". The blade motor is mechanically braked and the mower blade will stop rotating in three seconds or less.

### Variable Speed Self Drive System



**WARNING:** TO REDUCE THE RISK OF INJURY, NEVER ATTEMPT TO OVERRIDE THE OPERATION OF THE SWITCH OR SELF DRIVE SYSTEM. USE THE SELF DRIVE FOR ITS INTENDED PURPOSE ONLY.

Your mower is equipped with variable speed self drive. This system is independent from the blade ON-OFF switch. It can be used with or without the blade spinning. For example, when you have completed cutting your lawn, you can use the self drive to propel the mower back to your storage location without having the blade motor on.

#### To operate the system without blade spinning:

1. Insert safety key **3** into the ON-OFF switch box **1** until it is fully seated inside housing as shown in Fig. G. The mower is now operational.
2. Push the self drive bail handle **16** to the handle **4**.
3. To turn the self drive off, release the self drive bail handle.

#### To operate with the blade spinning:

1. Insert safety key **3** into the ON-OFF switch box **1** until it is fully seated inside housing as shown in Fig. G. The mower is now operational.
2. Push and hold the ON-OFF button **2** on the ON-OFF switch box **1**, then pull the bail handle **5** to the handlebar as shown in Fig. G.
3. Hold blade bail handle in place against handlebar with right hand. Now push the self drive bail handle **16** to the handlebar with your left hand.
4. You can hold both bail bars simultaneously against the handlebar with your left hand.

**NOTE:** When you turn off the self drive, for example at the end of a row, the wheels may become temporarily locked if you pull backwards on the mower. Simply push ahead slightly and then move the mower as required.

**NOTE:** During cutting, at times it may be easier to maneuver around an object, such as a tree or plants, with the self drive off. The mower can easily be used with the self drive off.

### Mower Overload

To prevent damage due to overload conditions, do not try to remove too much grass at one time. Slow down your cutting pace, or raise the cut height.

### Storage (Fig. A, H)



**DANGER:** Rotating blade can cause serious injury. Release bail handle **5** to turn mower off, remove safety key, and remove battery before lifting, transporting, or storing the mower. Store in a dry place.



**CAUTION:** Pinch point. To avoid being pinched, keep fingers away from area around handle brackets when folding down handles.

The handle of the mower can be easily folded down for quick and convenient storage.

1. To unlock the handle **4** pull the two handle locks **6**, located on both sides of the handle, and twist a quarter turn.
2. Fold the handle to the front of the mower as shown in Fig. H.
3. Locate the handle storage detent holes **8** located on the handle brackets **7** as shown in Fig. H.
4. Lock the handle in place by untwisting the handle locks **6** allowing them to snap into the storage detent holes and ensure the handle is firmly latched as shown in Fig. H.

### Carrying the Mower (Fig. A, I)



**DANGER:** Rotating blades can cause serious injury. To prevent serious injury, remove safety key and battery pack when unattended, or when charging, cleaning, servicing, transporting, lifting, or storing mower.

- The mower can be carried using the convenient carry handles **14**. DO NOT attempt to lift the mower by grasping the main handle **4**.

### Mowing Tips (Fig. A)



**WARNING:** ALWAYS INSPECT AREA WHERE MOWER IS TO BE USED AND REMOVE ALL STONES, STICKS, WIRE, BONES, AND OTHER DEBRIS WHICH MIGHT BE THROWN BY THE ROTATING BLADE.



**WARNING:** Mow across the face of slopes, never up-and-down. Exercise extreme caution when changing direction on slopes. Do not mow excessively steep slopes. Always maintain good footing.

- Release bail handle to turn mower "OFF" when crossing any gravel area (stones can be thrown by the blade).
- Set mower at highest cutting height when mowing in rough ground or in tall weeds. Removing too much grass at one time can cause the blade motor to be overloaded and to stop.
- If a grass collection bag **12** is used during the fast growing season, the grass may tend to clog up at the discharge opening. Release bail handle to turn mower off, remove the safety key and battery pack. Remove the catcher and shake the grass down to the back end of the bag. Also clean out any grass or debris which may be packed around the discharge opening. Replace the grass catcher.
- If mower should start to vibrate abnormally, release bail handle to turn mower off, remove the safety key and battery pack. Check immediately for cause. Vibration is a warning of trouble. Do not operate mower until a service check has been made. Refer to **Troubleshooting Guide** in this manual.
- For best cutting results, keep blade sharpened and balanced.
- Inspect and thoroughly clean mower after each use as a deck with caked grass will degrade performance.



- Always release bail handle to turn mower off, remove safety key and battery pack when leaving it unattended even for a short period of time.

### The following suggestions will help you to obtain optimum run time from your cordless mower:

- Slow down in areas where the grass is especially long or thick.
- Avoid mowing when the grass is wet from rain or dew-soaked.
- Cut your lawn frequently, especially during high growth periods.

**NOTE:** It is recommended that your mower be recharged after use to prolong the battery life. Frequent charging will not harm your battery, and will ensure that the battery is fully charged and ready for its next use. Storing battery not fully charged will shorten battery life.

## Transmission Thermal Switch

**!** **DANGER:** Rotating blades can cause serious injury. To prevent serious injury, remove safety key and battery pack when unattended, or when charging, cleaning, servicing, transporting, lifting, or storing mower.

The thermal switch protects the self drive motor from overloading and overheating that could damage the motor. The thermal switch will automatically shut down power to the self drive motor (not the blade motor) in the case of overheating.

The reset of the thermal switch is automatic when the transmission's internal temperature drops below 158° F (70° C) and the self drive bail handle is in the released (off) position. When the thermal switch activates:

1. Remove safety key and battery pack.
2. Clean the self drive motor housing of debris. This will keep the transmission cool. Refer to **Troubleshooting Guide** in this manual.
3. Check that the wheels are spinning freely.

**NOTE:** Harsh conditions (high outside temperature, slopes, high grass, etc.) can overheat the transmission and activate the thermal switch if your mowing pace is too slow. Increase the mowing speed to improve the ventilation.

4. If after performing these actions the thermal switch continues to shut down the power to the transmission stop using the mower and contact your local dealer.

## MAINTENANCE

**!** **DANGER:** To reduce the risk of serious personal injury, turn unit off, remove safety key, and remove battery packs before making any adjustments or removing/installing attachments or accessories. An accidental start-up can cause injury.

## Removing and Installing Blade (Fig. J–L)

**!** **DANGER: RISK OF INJURY.** WHEN REASSEMBLING THE BLADE SYSTEM, ENSURE EACH PART IS REINSTALLED CORRECTLY, AS DESCRIBED BELOW. IMPROPER ASSEMBLY OF THE BLADE OR OTHER PARTS OF THE BLADE SYSTEM MAY CAUSE SERIOUS INJURY.

**!** **DANGER:** To reduce the risk of serious personal injury, turn unit off, remove safety key, and remove battery pack before making any adjustments or removing/installing attachments or accessories. An accidental start-up can cause injury.

1. Cut a piece of 2" x 4" wood **24** (about 2 feet long) (610 mm) to keep blade from turning when removing the flange nut **25**.

**!** **WARNING:** Use gloves and proper eye protection. Turn the mower on its side. Be careful of sharp edges of blade.

2. Position wood and unscrew flange nut counterclockwise with a 18mm wrench **26** as shown in Fig. J.
3. Remove square metal blade spacer **27**, square plastic blade insulator **28** and blade **29** as shown in Fig. K. The blade fan **30** should not be removed. Examine all pieces for damage and replace if necessary.
4. Install sharpened or new (STZMW353) blade **29** on shoulder of the blade fan as shown in Fig. K.

**NOTE:** When replacing sharpened or new blade on shoulder of blade fan, make sure the "GRASS SIDE" on the blade will be facing the ground when the mower is returned to its normal upright position.

5. Install the plastic blade insulator **28** on the blade such that the raised lips on one side engage the edges of the blade.
6. Install the blade spacer **27** so that it sits inside the raised lips on the other side of the blade insulator. Be sure to align the flats in the hole of the blade spacer with the flats of the shaft, rotating the blade and blade insulator together as necessary.
7. Position piece of wood to keep blade from turning as shown in Fig. L. Install flange nut **25** with the flange against the blade spacer **27** and securely tighten the blade **29** with a wrench **26**.

## Blade Sharpening

KEEP BLADE SHARP FOR BEST MOWER PERFORMANCE. A DULL BLADE DOES NOT CUT GRASS CLEANLY.

**!** **WARNING:** Use gloves and proper eye protection while removing, sharpening, and installing blade. Ensure that safety key and battery pack are removed.

Sharpening the blade twice during a mowing season is usually sufficient under normal circumstances. Sand causes the blade to dull quickly. If your lawn has sandy soil, more frequent sharpening may be required. **REPLACE BENT OR DAMAGED BLADE IMMEDIATELY.**

### When Sharpening the Blade:

- Make sure blade remains balanced.
- Sharpen blade at the original cutting angle.

- Sharpen cutting edges on both ends of blade, removing equal amounts of material from both ends.

### To Sharpen Blade in a Vise (Fig. M)

- Be sure the bail handle is released, the blade has stopped and safety key and battery pack are removed before removing the blade.
- Remove blade from mower. See instructions for **Removing and Installing Blade**.
- Secure blade **29** in a vise **32**.
- Wear proper eye protection and gloves and be careful not to cut yourself.
- Carefully file the cutting edges of the blade with a fine tooth file **33** or sharpening stone, maintaining the angle of the original cutting edge.
- Check balance of blade. See instructions for **Blade Balancing**.
- Replace blade on mower and tighten securely.

### Blade Balancing (Fig. N)

Check balance of the blade **29** by placing center hole in the blade over a nail or round screwdriver **34**, clamped horizontally in a vise **32**. If either end of the blade rotates downward, file along the sharp edge of that dropping end. Blade is properly balanced when neither end drops.



### Lubrication

No lubrication is necessary. Do not oil the wheels. They have plastic bearing surfaces which require no lubrication.



### Cleaning

Release bail handle **5** to turn mower off, let the blade come to a stop and then remove safety key. Clean out any clippings which may have accumulated on the underside of the deck. After several uses, check all exposed fasteners for tightness.



**WARNING:** Blow dirt and dust out of the main housing with dry air as often as dirt is seen collecting in and around the air vents. Wear approved eye protection and approved dust mask when performing this procedure.



**WARNING:** Never use solvents or other harsh chemicals for cleaning the non-metallic parts of the tool. These chemicals may weaken the materials used in these parts. Use a cloth dampened only with water and mild soap. Never let any liquid get inside the tool; never immerse any part of the tool into a liquid.

Release bail handle **5** to turn mower off, let the blade come to a stop and then remove battery and safety key. Clean out any clippings which may have accumulated on the underside of the deck. After several uses, check all exposed fasteners for tightness.

### Preventing Corrosion

Fertilizers and other garden chemicals contain agents which greatly accelerate the corrosion of metals. If you mow in areas where fertilizers or chemicals have been used, the mower should be cleaned immediately afterward as follows: Release bail handle **5** to turn mower off and unplug safety key. Wipe all exposed parts with a damp cloth.

### Optional Accessories



**WARNING:** Since accessories, other than those offered by STANLEY FATMAX, have not been tested with this product, use of such accessories with this tool could be hazardous. To reduce the risk of injury, only STANLEY FATMAX recommended accessories should be used with this product.

Consult your dealer for further information on the appropriate accessories.

### Protecting the Environment



Separate collection. Products and batteries marked with this symbol must not be disposed of with normal household waste.



Products and batteries contain materials that can be recovered or recycled reducing the demand for raw materials. Please recycle electrical products and batteries according to local provisions. Further information is available at [www.2helpU.com](http://www.2helpU.com).

### Rechargeable Battery Pack

This long life battery pack must be recharged when it fails to produce sufficient power on jobs which were easily done before. At the end of its technical life, discard it with due care for our environment:

- Run the battery pack down completely, then remove it from the tool.
- Li-Ion cells are recyclable. Take them to your dealer or a local recycling station. The collected battery packs will be recycled or disposed of properly.



## TROUBLESHOOTING

If your appliance seems not to operate properly, follow the instructions below. If this does not solve the problem, please contact your local STANLEY FATMAX repair agent.



**WARNING:** Before proceeding, release the bail bar to turn mower off and wait for the blade to stop.

Problem	Possible Solution
Mower doesn't run when bail handle is activated	<p>Check to make sure mower battery is properly installed and that the button on switch box is being completely depressed before pulling the bail handle.</p> <p>Release bail handle to turn mower off. Remove safety key and battery pack, turn mower over and check that blade is free to turn.</p> <p>Check that the battery cavity is free of debris and is connected properly.</p> <p>Has battery been fully charged? Press state of charge button.</p>
Motor stops while mowing	<p>Release bail handle to turn mower off. Remove safety key and battery pack Turn mower over and check that blade is free to turn.</p> <p>Raise cutting height of wheels to highest position and start mower.</p> <p>Check that the battery cavity is free of debris and is connected properly</p> <p>Has battery been fully charged? Press state of charge button</p> <p>Avoid overloading the mower. Slow down the cutting pace, or raise the cut height.</p>
Mower runs but cutting performance is unsatisfactory	<p>Release bail handle to turn mower off. Uninstall power source. Turn mower over and check:</p> <ul style="list-style-type: none"> <li>• Blade for sharpness - Keep blade sharp.</li> <li>• Deck and discharge chute for clogging.</li> </ul> <p>Wheel height adjustment may be set too low for grass condition. Raise cutting height.</p>
Mower is too hard to push	<p>Release bail handle to turn mower off. Uninstall power source. Raise cutting height to reduce deck drag on grass. Check each wheel for free rotation.</p>

Problem	Possible Solution
Mower is abnormally noisy and vibrates	<p>Release bail handle to turn mower off. Uninstall power source. Turn mower on side and check blade to ensure it has not been bent or damaged. If blade is damaged, replace with a STANLEY FATMAX replacement blade. If the underside of the deck is damaged, return mower to a STANLEY FATMAX Authorised service centre.</p> <p>If there is no visible damage to the blade and the mower still vibrates:</p> <ul style="list-style-type: none"> <li>• Release bail handle to turn mower off.</li> <li>• Unplug mower.</li> <li>• Disassemble entire blade assembly as described in the <b>Removing and installing blade</b> section.</li> <li>• Remove any debris and clean each piece.</li> <li>• Replace each piece as described in the <b>Removing and installing blade</b> section.</li> </ul> <p>If mower still vibrates, return the mower to an authorised STANLEY FATMAX service center.</p>
Battery charger LEDs not on	<p>Check plug connection.</p> <p>Replace charger.</p>
Mower not picking up clippings with bag	<p>Chute clogged. Release bail handle to turn mower off. Uninstall power source. Clear chute of grass clippings.</p> <p>Raise cutting height of wheels to shorten length of the cut.</p> <p>Bag full. Empty bag more often.</p>





**Australia & New Zealand**  
**Stanley Black & Decker**

Stanley Fat Max

[www.stanleytools.com.au](http://www.stanleytools.com.au)

Tel. 1800 338 002 (Aust) or Tel. 0800 4782 6539 (NZ)

810 Whitehorse Road Box Hill VIC 3128, Australia