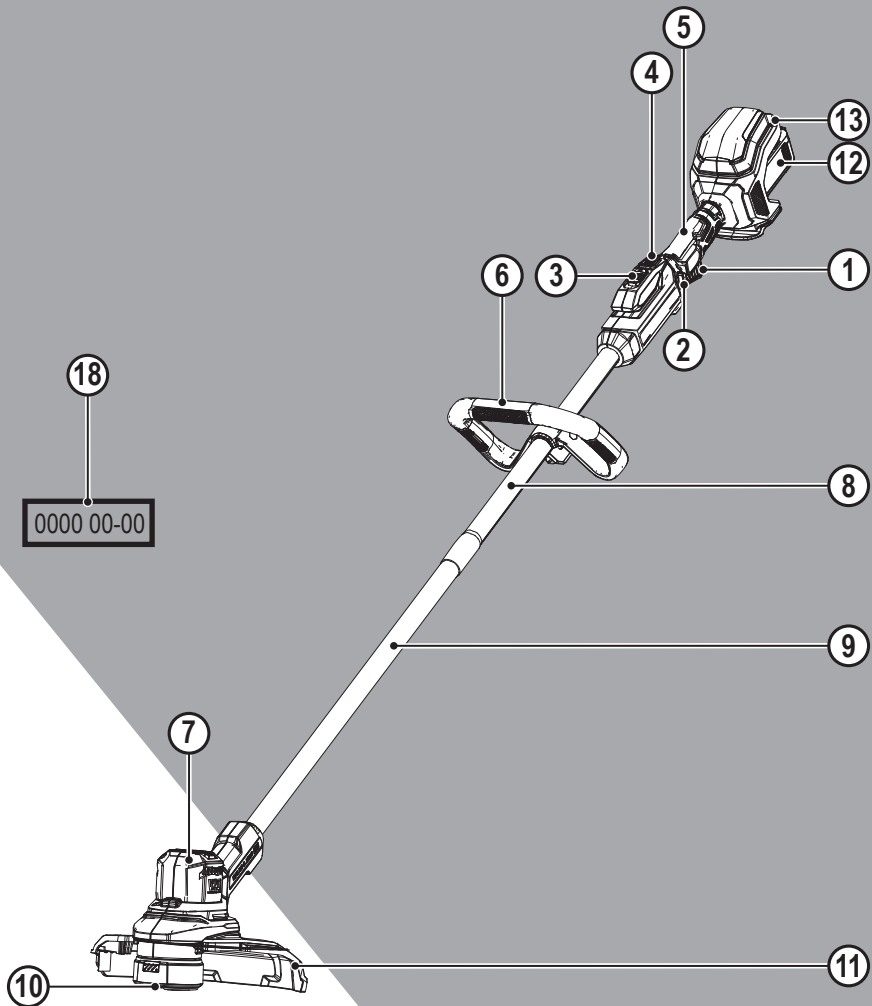


STANLEY[®]

FATMAX[®]

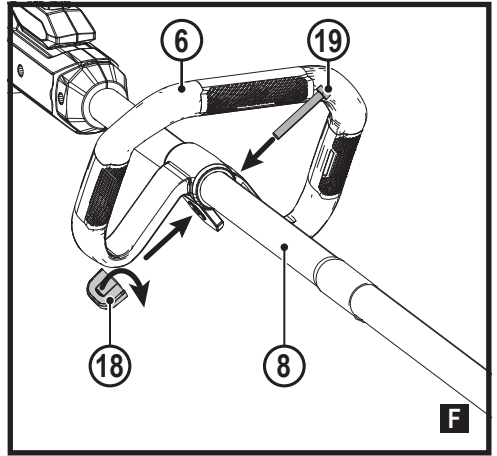
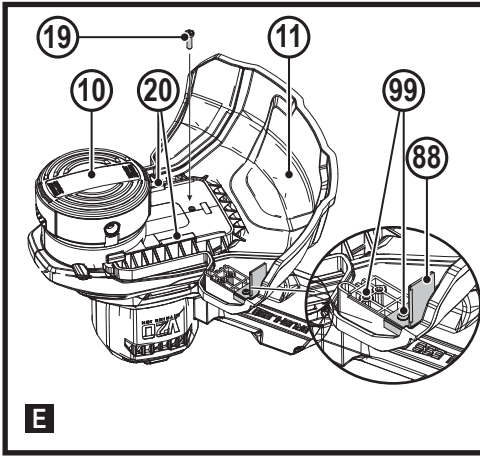
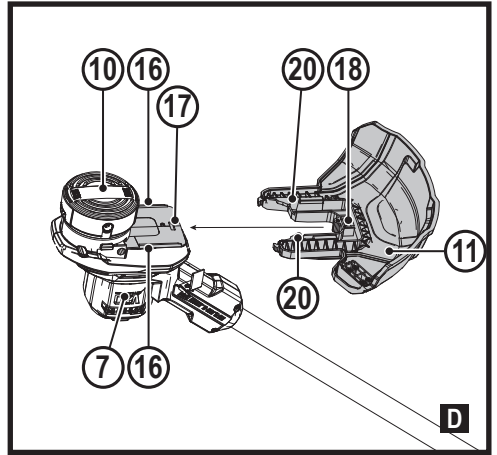
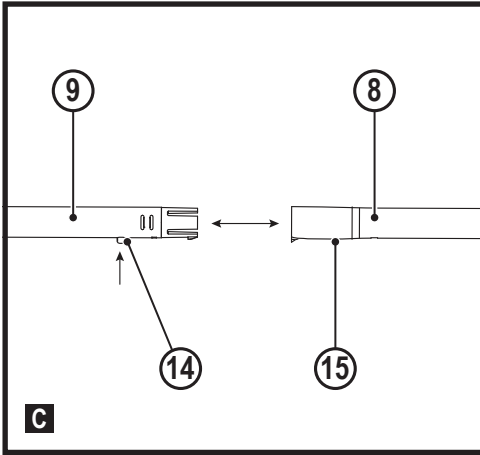
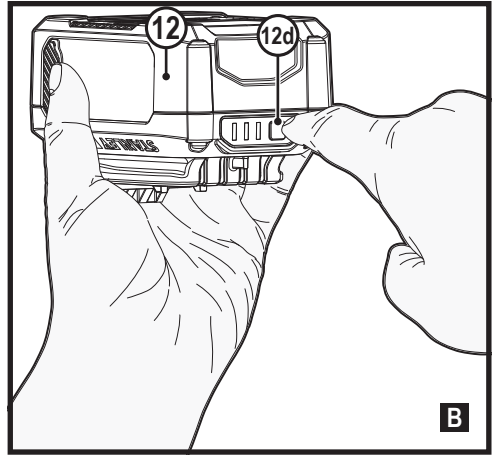
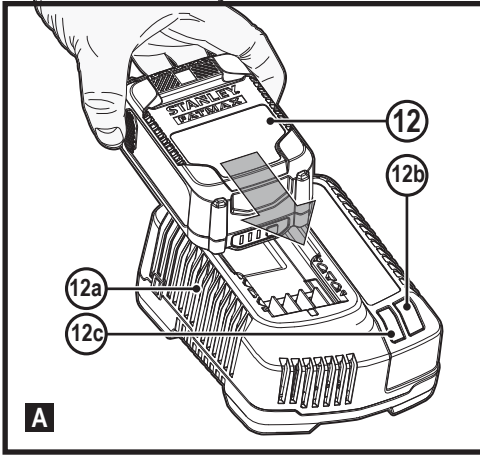
V20

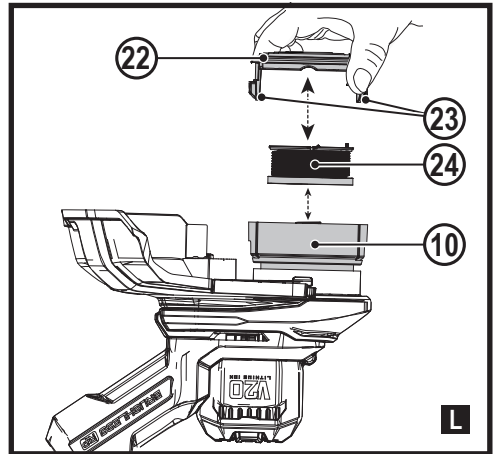
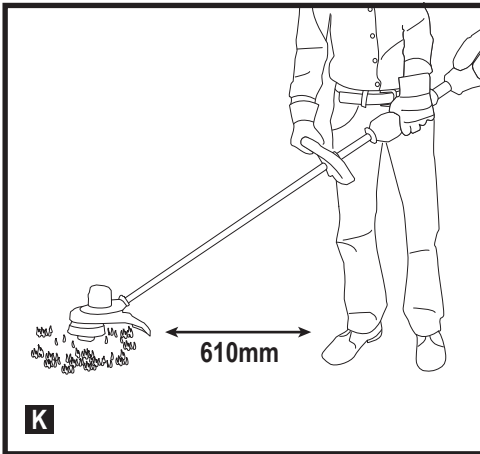
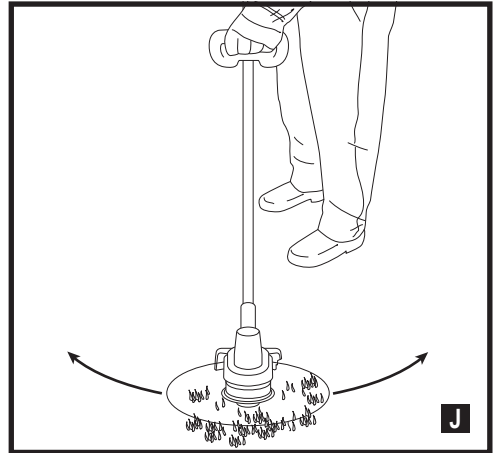
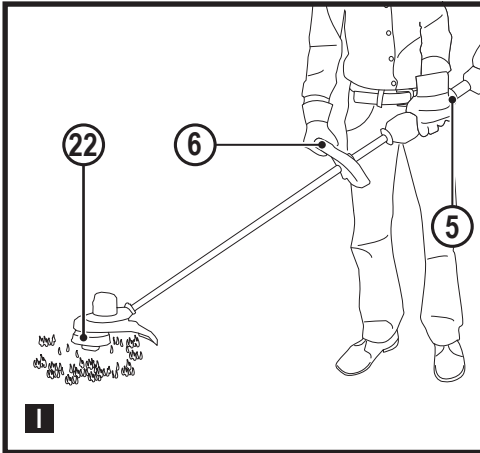
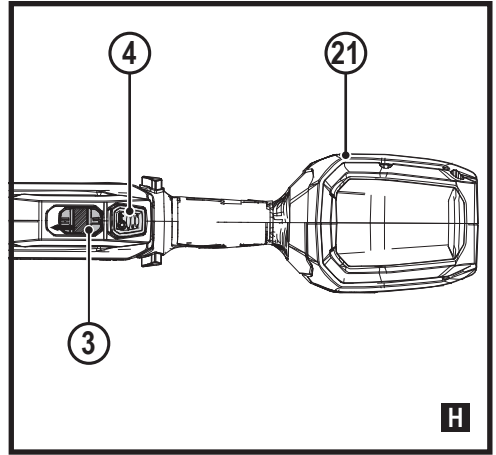
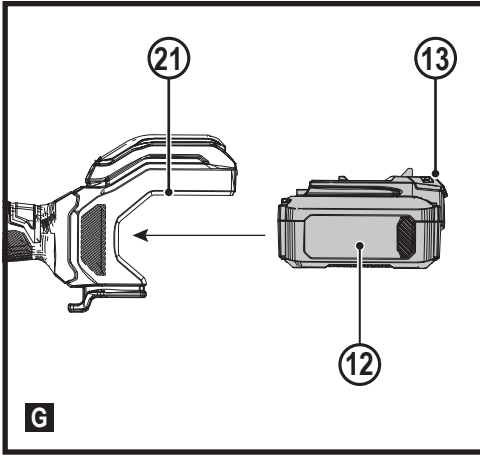
LITHIUM ION

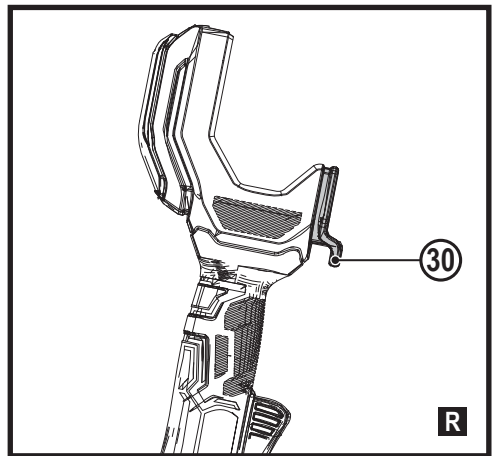
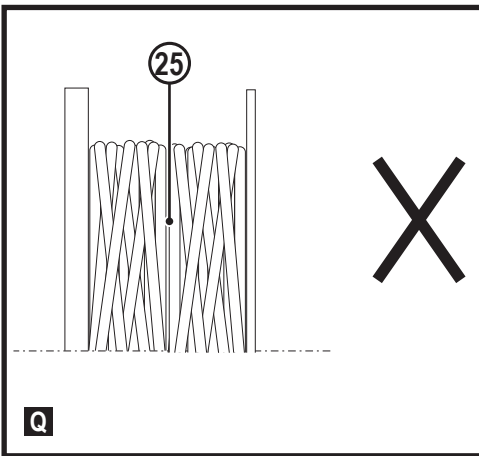
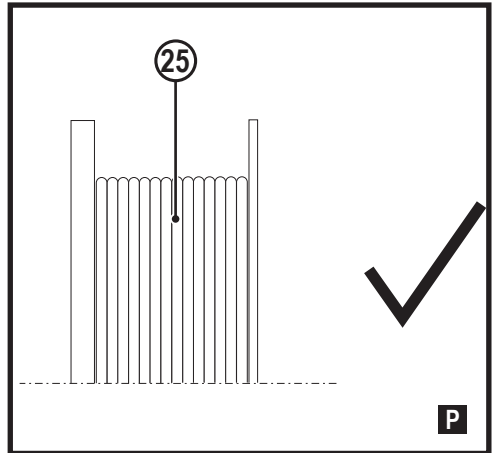
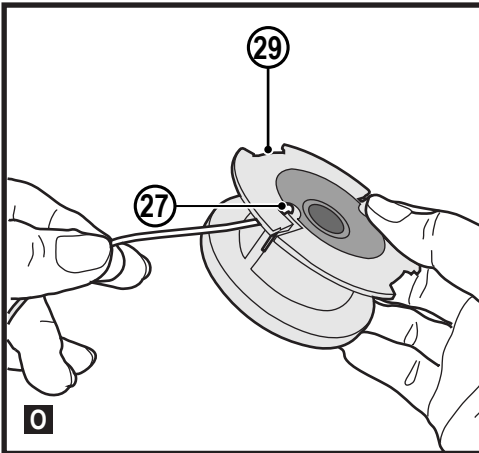
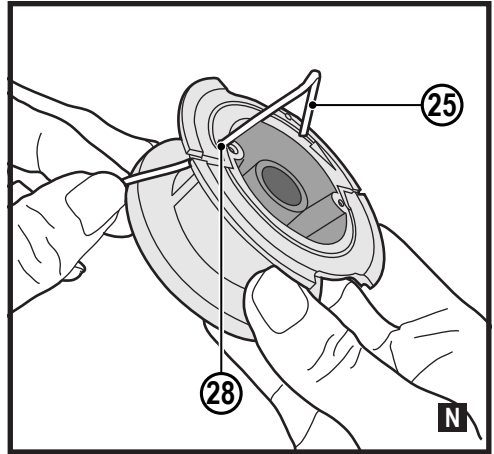
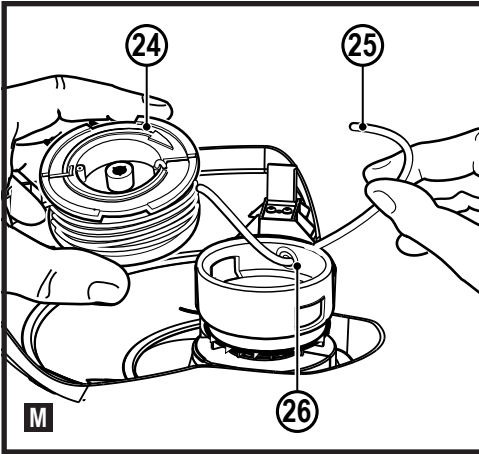


www.stanleytools.eu

SFMSTB930







Intended use

Your STANLEY FATMAX SFMSTB930 String trimmer has been designed for trimming grass. This appliance is intended for professional and private, non-professional use only.

Safety instructions

General safety warnings



Warning! Read all safety warnings and all instructions.

Failure to follow the warnings and instructions may result in electric shock, fire and/or serious injury.

Save all warnings and instructions for future reference.

The term "power tool" in all of the warnings listed below refers to your mains operated (corded) power tool or battery operated (cordless) power tool.

1. Work area safety

a. Keep work area clean and well lit.

Cluttered or dark areas invite accidents.

b. Do not operate power tools in explosive atmospheres, such as in the presence of flammable liquids, gases or dust.

Power tools create sparks which may ignite the dust or fumes.

c. Keep children and bystanders away while operating a power tool.

Distractions can cause you to lose control.

2. Electrical safety

a. Power tool plugs must match the outlet. Never modify the plug in any way.

Do not use any adapter plugs with earthed (grounded) power tools.

Unmodified plugs and matching outlets will reduce risk of electric shock.

b. Avoid body contact with earthed or grounded surfaces such as pipes, radiators, ranges and refrigerators.

There is an increased risk of electric shock if your body is earthed or grounded.

c. Do not expose power tools to rain or wet conditions.

Water entering a power tool will increase the risk of electric shock.

d. Do not abuse the cord. Never use the cord for carrying, pulling or unplugging the power tool. Keep cord away from heat, oil, sharp edges or moving parts.

Damaged or entangled cords increase the risk of electric shock.

e. When operating a power tool outdoors, use an extension cord suitable for outdoor use.

Use of a cord suitable for outdoor use reduces the risk of electric shock.

f. If operating a power tool in a damp location is unavoidable, use a residual current device (RCD) protected supply.

Use of an RCD reduces the risk of electric shock.

3. Personal safety

a. Stay alert, watch what you are doing and use common sense when operating a power tool.

- Do not use a power tool while you are tired or under the influence of drugs, alcohol or medication.** A moment of inattention while operating power tools may result in serious personal injury.
- b. Use personal protective equipment. Always wear eye protection.** Protective equipment such as dust mask, non-skid safety shoes, hard hat, or hearing protection used for appropriate conditions will reduce personal injuries.
- c. Prevent unintentional starting. Ensure the switch is in the off-position before connecting to power source and/or battery pack, picking up or carrying the tool.** Carrying power tools with your finger on the switch or energising power tools that have the switch on invites accidents.
- d. Remove any adjusting key or wrench before turning the power tool on.** A wrench or a key left attached to a rotating part of the power tool may result in personal injury.
- e. Do not overreach. Keep proper footing and balance at all times.** This enables better control of the power tool in unexpected situations.
- f. Dress properly. Do not wear loose clothing or jewellery. Keep your hair, clothing and gloves away from moving parts.** Loose clothes, jewellery or long hair can be caught in moving parts.
- g. If devices are provided for the connection of dust extraction and collection facilities, ensure these are connected and properly used.** Use of dust collection can reduce dust-related hazards.
- h. Do not let familiarity gained from frequent use of tools allow you to become complacent and ignore tool safety principles.** A careless action can cause severe injury within a fraction of a second.
- 4. Power tool use and care**
- a. Do not force the power tool. Use the correct power tool for your application.** The correct power tool will do the job better and safer at the rate for which it was designed.
- b. Do not use the power tool if the switch does not turn it on and off.** Any power tool that cannot be controlled with the switch is dangerous and must be repaired.
- c. Disconnect the plug from the power source and/or the battery pack from the power tool before making any adjustments, changing accessories, or storing power tools.** Such preventive safety measures reduce the risk of starting the power tool accidentally.
- d. Store idle power tools out of the reach of children and do not allow persons unfamiliar with the power tool or these instructions to operate the power tool.**

Power tools are dangerous in the hands of untrained users.

- e. **Maintain power tools. Check for misalignment or binding of moving parts, breakage of parts and any other condition that may affect the power tools operation. If damaged, have the power tool repaired before use.** Many accidents are caused by poorly maintained power tools.
- f. **Keep cutting tools sharp and clean.** Properly maintained cutting tools with sharp cutting edges are less likely to bind and are easier to control.
- g. **Use the power tool, accessories and tool bits etc. in accordance with these instructions, taking into account the working conditions and the work to be performed.** Use of the power tool for operations different from those intended could result in a hazardous situation.
- h. **Keep handles and grasping surfaces dry, clean and free from oil and grease.** Slippery handles and grasping surfaces do not allow for safe handling and control of the tool in unexpected situations.

5. Battery tool use and care

- a. **Recharge only with the charger specified by the manufacturer.** A charger that is suitable for one type of battery pack may create a risk of fire when used with another battery pack.
- b. **Use power tools only with specifically designated battery packs.**

Use of any other battery packs may create a risk of injury and fire.

- c. **When battery pack is not in use, keep it away from other metal objects, like paper clips, coins, keys, nails, screws, or other small metal objects, that can make a connection from one terminal to another.** Shorting the battery terminals together may cause burns or a fire.
- d. **Under abusive conditions, liquid may be ejected from the battery; avoid contact. If contact accidentally occurs, flush with water.** If liquid contacts eyes, additionally seek medical help. Liquid ejected from the battery may cause irritation or burns.
- e. **Do not use a battery pack or tool that is damaged or modified.** Damaged or modified batteries may exhibit unpredictable behaviour resulting in fire, explosion or risk of injury.
- f. **Do not expose a battery pack or tool to fire or excessive temperature.** Exposure to fire or temperature above 130 °C may cause explosion.
- g. **Follow all charging instructions and do not charge the battery pack or tool outside the temperature range specified in the instructions.** Charging improperly or at temperatures outside the specified range may damage the battery and increase the risk of fire.

6. Service

- a. **Have your power tool serviced by a qualified repair person using only identical replacement parts.** This will ensure that the safety of the power tool is maintained.
- b. **Never service damaged battery packs.** Service of battery packs should only be performed by the manufacturer or authorized service providers.

Additional power tool safety warnings



Warning! Additional safety warnings for string trimmers.

The intended use is described in this manual. The use of any accessory or attachment or performance of any operation with this appliance other than those recommended in this instruction manual can present a risk of personal injury and/or damage to property.

- ◆ To protect your feet and legs while operating the appliance, always wear heavy duty footwear and long trousers.
 - ◆ Always remove the battery from the appliance whenever the appliance is unattended, before clearing a blockage, before cleaning and maintenance, after striking a foreign object or whenever the appliance starts vibrating abnormally.
 - ◆ Do not use in the rain or leave outdoors while it is raining.
 - ◆ Do not cross gravel paths or roads whilst your product is switched on. Walk, never run.
 - ◆ Do not place your unit down on gravel while it is switched on.
 - ◆ Always be sure of your footing, particularly on slopes. Do not overreach and keep your balance at all times.
 - ◆ Do not place any objects into the openings. Never use if the openings are blocked.
 - ◆ Keep free of hair, lint, dust and anything that may reduce the airflow.
- Warning!** Always use your product in the manner outlined in this manual. Your product is designed to be used in an upright mode and if it is used in any other way it may result in injury. Never run your product whilst lying on it's side or upside down.
- ◆ The operator or user is responsible for accidents or hazards occurring to other people or their property.
 - ◆ Do not use solvents or cleaning fluids to clean your product. Use a blunt scraper to remove grass and dirt.
 - ◆ Replacement fans are available from a STANLEY FATMAX service agent. Use on STANLEY FATMAX recommended spare parts and accessories.
 - ◆ Keep all nuts bolts and screws tight to make sure that the appliance is in a safe working condition.
 - ◆ Wear ear protectors. Exposure to noise can cause hearing loss.
 - ◆ Avoid using the maching in bad weather conditions especially when there is a risk of lightning.

Vibration

The declared vibration emission values stated in the technical data and the declaration of conformity have been measured in accordance with a standard test method provided by EN60335 and may be used for comparing one tool with another.

The declared vibration emission value may also be used in a preliminary assessment of exposure.

Warning! The vibration emission value during actual use of the power tool can differ from the declared value depending on the ways in which the tool is used. The vibration level may increase above the level stated.

When assessing vibration exposure to determine safety measures required by 2002/44/EC to protect persons regularly using power tools in employment, an estimation of vibration exposure should consider, the actual conditions of use and the way the tool is used, including taking account of all parts of the operating cycle such as the times when the tool is switched off and when it is running idle in addition to the trigger time.

Safety of Others

The appliance is only to be used with the power supply unit recommended for this appliance.

- ◆ This appliance is not intended for use by persons (including children) with reduced physical, sensory or mental capabilities, or lack of experience and knowledge, unless they have been given supervision or instruction concerning use of the appliance by a person responsible for their safety.
- ◆ Do not use when people, especially children or pets are nearby.

Children should be supervised to ensure that they do not play with the appliance.

Residual risks

Additional residual risks may arise when using the tool which may not be included in the enclosed safety warnings. These risks can arise from misuse, prolonged use etc.

Even with the application of the relevant safety regulations and the implementation of safety devices, certain residual risks can not be avoided. These include:

- ◆ Injuries caused by touching any rotating/moving parts.
- ◆ Injuries caused when changing any parts, blades or accessories.
- ◆ Injuries caused by prolonged use of a tool. When using any tool for prolonged periods ensure you take regular breaks.
- ◆ Impairment of hearing.
- ◆ Health hazards caused by breathing dust developed when using your tool (example:- working with wood, especially oak, beech and MDF.)

Markings on tool

The following pictograms are shown on the tool along with the date code (18):



Read instruction manual before use.



Wear ear protection.



Wear eye protection.



Do not expose the tool to rain or high humidity or leave outdoors while it is raining.



Switch the tool off. Before performing any maintenance on the tool, remove the battery from the tool.



Keep bystanders away.



Directive 2000/14/EC guaranteed sound power.



Direction of rotation.

Additional safety instructions for batteries and chargers

Batteries

- ◆ Never attempt to open for any reason.
- ◆ Do not expose the battery to water.
- ◆ Do not store in locations where the temperature may exceed 40 °C.
- ◆ Charge only at ambient temperatures between 10 °C and 40 °C.
- ◆ Charge only using the charger provided with the tool.

- ◆ When disposing of batteries, follow the instructions given in the section "Protecting the environment".



Do not attempt to charge damaged batteries.

Chargers

- ◆ Use your STANLEY FATMAX charger only to charge the battery in the tool with which it was supplied. Other batteries could burst, causing personal injury and damage.
- ◆ Never attempt to charge non-rechargeable batteries.
- ◆ Have defective cords replaced immediately.
- ◆ Do not expose the charger to water.
- ◆ Do not open the charger.
- ◆ Do not probe the charger.



The charger is intended for indoor use only.



Read the instruction manual before use.

Electrical safety



Your STANLEY FATMAX charger is double insulated; therefore no earth wire is required. Always check that the mains voltage corresponds to the voltage on the rating plate. Never attempt to replace the charger unit with a regular mains plug.

- ◆ If the supply cord is damaged, it must be replaced by the manufacturer or an authorised STANLEY FATMAX Service Centre in order to avoid a hazard.

Description

This tool includes some or all of the following features.

1. Trigger
2. Lock-off button
3. Speed control switch
4. Line feed button
5. Main handle
6. Auxiliary handle
7. Motor housing
8. Upper trimmer pole
9. Lower trimmer pole
10. Spool housing
11. Guard
12. Battery pack
13. Battery release button

Use

Warning! Let the tool work at its own pace. Do not overload.

Charging the battery (Fig. A)

The battery needs to be charged before first use and whenever it fails to produce sufficient power on jobs that were easily done before.

The battery may become warm while charging; this is normal and does not indicate a problem.

Warning! Do not charge the battery at ambient temperatures below 10 °C or above 40 °C. Recommended charging temperature: approx. 24 °C.




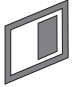


Note: The charger will not charge a battery if the cell temperature is below approximately 10 °C or above 40 °C.

The battery should be left in the charger and the charger will begin to charge automatically when the cell temperature warms up or cools down.

Note: To ensure maximum performance and life of lithium-ion battery packs, charge the battery pack fully before first use.

- ◆ Plug the charger (12a) into an appropriate outlet before inserting battery pack (12).
- ◆ The green charging light (12b) will blink continuously indicating that the charging process has started.
- ◆ The completion of charge will be indicated by the green charging light (12b) remaining ON continuously. The battery pack (12) is fully charged and may be removed and used at this time or left in the charger (12a).
- ◆ Charge discharged batteries within 1 week. Battery life will be greatly diminished if stored in a discharged state.

Charger LED Modes

	Charging: Green LED Intermittent	
	Fully Charged: Green LED Solid	
	Hot/Cold Pack Delay: Green LED Intermittent Red LED Solid	

Note: The compatible charger(s) will not charge a faulty battery pack. The charger will indicate a faulty battery pack by refusing to light.

Note: This could also mean a problem with a charger. If the charger indicates a problem, take the charger and battery pack to be tested at an authorized service centre.

Leaving the battery in the charger

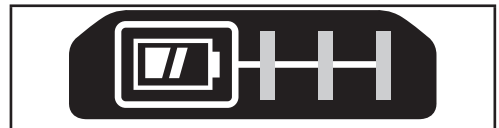
The charger and battery pack can be left connected with the LED glowing indefinitely. The charger will keep the battery pack fresh and fully charged.

Hot/Cold Pack Delay

When the charger detects a battery that is too hot or too cold, it automatically starts a Hot/Cold Pack Delay, the green LED (12b) will flash intermittently, while the red LED (12c) will remain on continuously, suspending charging until the battery has reached an appropriate temperature. The charger then automatically switches to the pack charging mode. This feature ensures maximum battery life.

Battery state of charge indicator (Fig. B)

The battery includes a state of charge indicator to quickly determine the extent of battery life as shown in Fig. B. By pressing the state of charge button (12d) you can easily view the charge remaining in the battery as illustrated in Fig. B.



Inserting and removing the battery pack from the tool (Fig. G)

Note: Make sure your battery pack (12) is fully charged.

To install the battery pack into the tool

- ◆ Align the battery pack (12) with the rails inside the tool (Fig. G).
- ◆ Slide it into the tool until the battery pack is firmly seated and ensure that you hear the lock snap into place.

To remove the battery pack from the tool

- ◆ Press the release button (13) and firmly pull the battery pack out of the tool handle (Fig. G).
- ◆ Insert battery pack into the charger as described in the charger section of this manual.

Assembling the pole (Fig. C)

- ◆ When installing the lower pole (9) into the upper pole (8), align the detent lock (14) with the detent slot (15) as shown in Fig. C.
- ◆ Press the two poles together so the detent lock (14) engages the detent slot (15).

Warning! Always check to make sure that the detent lock is completely secured in place. If the detent lock is not completely secured it could result in the assembly becoming disconnected creating a hazardous condition. Periodically check the connections to insure that the detent lock is completely secured in place.

Installing the guard (Fig. D, E)

Warning! Never remove the guard. Damage or personal injury could result.

Warning! NEVER OPERATE appliance WITHOUT GUARD FIRMLY IN PLACE. The guard must always be properly attached on the appliance to protect the user.

- ◆ Remove the guard screw (19).
- ◆ Slide the guard (11) fully onto the motor housing (7). Make sure the tabs (20) on the guard engage the ribs (16) on the trimmer head.
- ◆ Continue to slide the guard on until it "snaps" into place. The locking tab (18) should snap into the housing slot (17).
- ◆ Using a crosshead screwdriver, insert the guard screw (19) and tighten securely.
- ◆ Once the guard is installed, remove the covering from the line cut-off blade, located on the edge of the guard.

Adjusting the cutting swath size (Fig. E)

This guard allows for two swath sizes, 280 mm or 330 mm.

- ◆ To adjust the position of the cutting line blade (88), remove the screws (99) securing the cutting line blade (88) in place.
- ◆ Position the cutting line blade (88) to the second position on the guard and secure it with the screws (99).

Note: Moving the cutting line blade (88) closer to the spool housing will decrease cutting swath size.

Attaching the auxiliary handle (Fig. F)

- ◆ Remove handle knob (18) and handle bolt (19) from the auxiliary handle (6).
- ◆ Push the auxiliary handle (6) onto the top of the upper trimmer pole (8) as shown in Fig. F.
- ◆ Thread the handle bolt (19) through the mounting hole on the auxiliary handle (6).

- ◆ Thread the handle knob (18) onto the handle bolt (19) and firmly tighten. Ensure the handle is secured in position before using.
- ◆ To adjust the position of the auxiliary handle, loosen the handle knob (18) and slide the auxiliary handle (6) up or down the pole until it is in the desired location. Tighten the handle knob (18) to secure the auxiliary handle (6) in position.

Releasing the cutting line

In transit, the cutting line is taped to the spool housing (10).

- ◆ Remove the tape holding the cutting line to the spool housing.

Operation

Instructions for use

Warning! Always observe the safety instructions and applicable regulations.

Warning! To reduce the risk of serious personal injury, turn tool off and disconnect battery pack before making any adjustments or removing/installing attachments or accessories. An accidental start-up can cause injury.

Proper hand position (Fig. I)

Warning! To reduce the risk of serious personal injury, Always use proper hand position as shown.

Warning! To reduce the risk of serious personal injury, always hold securely in anticipation of a sudden reaction.

Proper hand position requires one hand on the main handle (5) and one hand on the auxiliary handle (6).

Switching trimmer on and off

Warning! Never attempt to lock the trigger in the on position.

- ◆ To turn the appliance on, press the lock-off button (2) and then squeeze the trigger (1). Once the unit is running, you may release the lock-off button.
- ◆ To turn the appliance off, release the trigger.

Speed control switch (Fig. H)

This string trimmer gives you the choice to operate at a more efficient speed to extend the runtime for larger jobs, or accelerate the trimmer speed for high-performance cutting.

- ◆ To accelerate the trimmer, push the speed control switch (3) forward toward the auxiliary handle (6) into the "HI" position. This mode is best to cut through heavier growth and for applications that need higher RPM.
- ◆ To extend runtime, pull the speed control switch back toward the battery housing (21) into the "LO" position. This mode is best for larger projects that require more time to complete.

Note: When in "HI" mode, runtime will be decreased as compared to when trimmer is in "LO" mode.

Line feed button (Fig. H)

The line feed feature allows you to advance the length of cutting line available while trimming.

- ◆ To extend the cutting line, fully depress the line feed button (4) while trimming and then release.

Note: The trimmer will stop cutting when the line feed button is pressed and will resume cutting when released.

Note: For maximum line length, press the button multiple times until you hear the cutting line hitting the guard. Do not continue to press the line feed button once the maximum length is reached. This will result in overfeeding and will consume string quickly.

Trimming (Fig. I - K)

Warning! Keep the rotating string roughly parallel with the ground (tilted no more than 30 degrees). This trimmer is not an edger. DO NOT TILT the trimmer so that the string is spinning near a right angle to the ground. Flying debris can cause serious injury.

Caution: Ensure that other persons and pets are at least 30 m away. Flying debris can cause serious injury.

- ◆ ChargeWith the trimmer on, angle it and swing side to side as shown in Fig. J.
- ◆ Maintain a cutting angle of 5 ° to 10 °. Do not exceed 10 °. Cut with the tip of the line.

Helpful cutting tips (Fig. K)

- ◆ Use the tip of the string to do the cutting; do not force string head into uncut grass. Use edge guide along such things as fences, houses and flower beds for best practices.
- ◆ Wire and picket fences cause extra string wear, even breakage. Stone and brick walls, curbs, and wood may wear string rapidly.
- ◆ Do not allow spool cap (22) to drag on ground or other surfaces.
- ◆ In long growth, cut from the top down and do not exceed 330mm high.
- ◆ Keep trimmer tilted toward the area being cut; this is the best cutting area.
- ◆ The trimmer cuts when passing the unit from the left to right. This will avoid throwing debris at the operator.
- ◆ Avoid trees and shrubs. Tree bark, wood moldings, siding, and fence posts can easily be damaged by the string.
- ◆ Maintain a minimum distance of 610 mm between the guard and your feet as shown in Fig. K.

Cutting line / line feeding

Your trimmer uses 2 mm diameter, twist nylon line. During use, the tips of the nylon lines will become frayed and worn. Cutting line will wear faster and require more feeding if the cutting is done along sidewalks or other abrasive surfaces or heavier weeds are being cut.

Clearing jams and tangled line (Fig. L)

Warning! Remove the battery from the trimmer before making any assembly, adjustments or changing accessories. Such preventive safety measures reduce the risk of starting the appliance accidentally.

From time to time, especially when cutting thick or stalky weeds, the line feeding hub may become clogged with sap or other material and the line will become jammed as a result. To clear the jam, follow the steps listed below.

Caution: To avoid appliance damage, if the cutting line protrudes beyond the trimming blade, cut it off so that it just reaches the blade.

- ◆ Remove battery from appliance.
- ◆ Press the release tabs (23) on the spool cap (22), and remove the spool cap from the spool housing (10).
- ◆ Pull the nylon line spool out and clear any broken line or cutting debris from the spool area.
- ◆ Fit the spool onto the appliance as described in **Replacing Spool Assembly**.

Replacing spool assembly (Fig. L, M)

Warning! The use of any accessory not recommended by STANLEY FATMAX for use with this appliance could be hazardous.

Warning! Do not use any blades, or any accessory or attachment other than those recommended by STANLEY FATMAX on this trimmer/edger. Serious injury or product damage may result.

Reload nylon line (either bulk or prewound replacement spool) as shown in this manual.

USE ONLY 2 mm DIAMETER TWISTED NYLON MONOFILAMENT LINE. Do not use serrated or heavier gauge line, as they will overload the motor and cause overheating. This line is available at your local dealer or authorized service center.

- ◆ Remove battery from appliance.
- ◆ Press the release tabs (25) on the spool cap (22), and remove the spool cap from the spool housing (10).
- ◆ For best results, replace spool with STANLEY FATMAX Model # STZST1426-XJ.
- ◆ If lever in base of housing becomes dislodged, replace in correct position before inserting new spool into housing.
- ◆ Remove any dirt and grass from the spool cap and spool housing.
- ◆ Unfasten the end of the cutting line and guide the line into the eyelet.
- ◆ Take the new spool and push it onto the boss (26) in the housing. Rotate the spool slightly until it is seated.

- ◆ The line should protrude approximately 136 mm from the housing.
- ◆ Align the release tabs on the spool cap with the slots in the spool housing.
- ◆ Snap the spool cap back on by depressing release tabs and pressing into spool housing.
- ◆ Push the cap onto the housing until it snaps securely into place.

Note: Make sure that cover is fully positioned, listen for two audible clicks to ensure both release tabs are correctly located. Power the appliance on. In a few seconds or less you'll hear the nylon line being cut automatically to the proper length.

Note: Other replacement parts (guards, spool caps, etc.) are available through authorised service centres.

Rewinding spool from bulk line (Fig. N - Q)

Use Only 2 mm TWISTED Diameter Line

Bulk line is also available for purchase from your local retailer.

Note: Hand wound spools from bulk line are likely to become tangled more frequently than STANLEY FATMAX factory wound spools. For best results, factory wound spools are recommended.

- ◆ Remove battery from appliance.
- ◆ Remove the empty spool from the appliance as described in Replacing Spool Assembly.
- ◆ Remove any remaining cutting line from the spool.
- ◆ Make a fold at the end of the cutting line at about 19 mm (25). Feed the cutting line into one of the line anchoring slots (28).
- ◆ Insert the 19 mm end of the bulk line into the hole (27) in the spool adjacent to the slot. Make sure the line is pulled tight against the spool.
- ◆ Wind the cutting line onto the spool in the direction of the arrow on the spool. Make sure to wind the line on neatly and in layers. Do not crisscross.
- ◆ When the wound cutting line reaches the recesses (29), cut the line.
- ◆ Fit the spool onto the appliance as described in Replacing Spool Assembly.

Weather Guard

This product (not including the battery pack or charger) has some level of protection from liquids (light splashing) during normal and reasonable use.

Warning! The battery and charger do not have Weather Guard protection.

Warning! NEVER submerge the product, battery or charger in liquid or use in the rain.

Maintenance

Your STANLEY FATMAX power tool has been designed to operate over a long period of time with a minimum of maintenance. Continuous satisfactory operation depends upon proper tool care and regular cleaning.

Warning! To reduce the risk of serious personal injury, turn tool off and disconnect battery pack before making any adjustments or removing/installing attachments or accessories. An accidental start-up can cause injury.

Your charger does not require any maintenance apart from regular cleaning.

Warning! Before performing any maintenance on the tool, remove the battery from the tool. Unplug the charger before cleaning it.

- ◆ Regularly clean the ventilation slots in your tool and charger using a soft brush or dry cloth.
- ◆ Regularly clean the motor housing using a damp cloth.
- ◆ Do not use any abrasive or solvent-based cleaner.



Lubrication

Your power tool requires no additional lubrication.



Cleaning

Warning! Blow dirt and dust out of the main housing with dry air as often as dirt is seen collecting in and around the air vents. Wear approved eye protection and approved dust mask when performing this procedure.

Warning! Never use solvents or other harsh chemicals for cleaning the non-metallic parts of the tool. These chemicals may weaken the materials used in these parts. Use a cloth dampened only with water and mild soap. Never let any liquid get inside the tool; never immerse any part of the tool into a liquid.

Replacement Accessories

Warning! To reduce the risk of serious personal injury, turn appliance off and remove battery before making any adjustments or removing/installing attachments or accessories.

Warning! The use of any accessory not recommended by Stanley Fatmax for use with this appliance could be hazardous.

Warning! Do not use any blades, or any accessory or attachment other than those recommended by Stanley Fatmax on this trimmer. Serious injury or product damage may result. When replacing the line, use 2 mm diameter line.

Use Stanley Fatmax replacement line Model No. STZST1426-XJ. Other sizes may degrade performance or cause damage to the trimmer.

Optional Accessories

Warning! Since accessories, other than those offered by STANLEY FATMAX, have not been tested with this product, use of such accessories with this tool could be hazardous. To reduce the risk of injury, only STANLEY FATMAX recommended accessories should be used with this product. Consult your dealer for further information on the appropriate accessories.

Protecting the environment



Separate collection. Products and batteries marked with this symbol must not be disposed of with normal household waste.

Products and batteries contain materials that can be recovered or recycled reducing the demand for raw materials. Please recycle electrical products and batteries according to local provisions. Further information is available at www.2helpU.com

Technical data

		SFMSTB930	
Voltage	V_{ac}	18	
Type		1	
RPM	/min	0-5500 - 0-7200	
Cutting Swath Size	mm	280 or 330	
Weight (without battery pack)	kg	2.5	

Charger		SFMCB11	SFMCB12	SFMCB14
Input Voltage	V_{ac}	230	230	230
Output Voltage	V_{dc}	18	18	18
Current	A	1.25	2	4

Battery		SFMCB201	SFMCB202	SFMCB204	SFMCB206
Voltage	V_{dc}	18	18	18	18
Capacity	Ah	1.5	2.0	4.0	6.0
Type		Li-Ion	Li-Ion	Li-Ion	Li-Ion

Warning! Your STANLEY FATMAX charger can only be used to charge STANLEY FATMAX, Li-Ion batteries.

Approx. Charge time in minutes			
Battery Pack	SFMCB11	SFMCB12	SFMCB14
SFMCB201	72	45	22
SFMCB202	96	60	30
SFMCB204	192	120	60
SFMCB206	288	180	90

Noise values and vibration values (tri-ax vector sum). Grass Trimmer mode according to EN50636-2-91
Sound pressure (L_{pA}) at work station 81 dB(A), uncertainty (K) 3 dB(A)
Sound power (L_{WA}) 91.0 dB(A), uncertainty (K) 2 dB(A)
Vibration total values (tri-ax vector sum) Grass Trimmer mode according to EN50636-2-91
Vibration emission value a_{hv} : < 2.5 m/s ² , uncertainty (K) 1.5 m/s ²

The vibration emission level given in this information sheet has been measured in accordance with a standardised test given in EN50636 and may be used to compare one tool with another. It may be used for a preliminary assessment of exposure.

EC-Declaration of Conformity

Machinery Directive



Brushless Grass Trimmer SFMSTB930

STANLEY FATMAX declares that these products described under Technical Data are in compliance with: 2006/42/EC, EN 60335-1:2012+A11:2014+A13:2017 +A1:2019+A14:2019+A2:2019+A15:2021, EN50636-2-91:2014.

2000/14/EC, Lawn Trimmer, L < 50cm, Annex VI

DEKRA Testing and Certification GmbH,

Handwerkstraße 15, 70565 Stuttgart

Location Certification Body,

Dinnendahlstr. 9, 44809 Bochum Germany

Notified Body number: 0158

L_{WA} (measured sound power level) 91 dB(A),

Uncertainty (K) = 2.0 dB(A),

L_{WA} (guaranteed sound power) 96 dB(A).

These products also comply with Directive 2014/30/EU and 2011/65/EU.

For more information, please contact STANLEY FATMAX at the following address or refer to the back of the manual.

The undersigned is responsible for compilation of the technical file and makes this declaration on behalf of STANLEY FATMAX.

Patrick Diepenbach

Patrick Diepenbach

General Manager, Benelux

STANLEY FATMAX Europe, Egide Walschaertsstraat14-18,

2800 Mechelen, Belgium

2022-08-20

DECLARATION OF CONFORMITY
THE SUPPLY OF MACHINERY (SAFETY)
REGULATIONS 2008
UK
CA

Brushless Grass Trimmer SFMSTB930

STANLEY FATMAX declares that these products described under "technical data" are in compliance with:

The Supply of Machinery (Safety) Regulations, 2008, S.I. 2008/1597 (as amended),
 EN 60335-1:2012+A11:2014+A13:2017 +A1:2019+A14:2019+A2:2019+A15:2021, EN50636-2-91:2014.

The Noise Emission in the Environment by Equipment for use Outdoors Regulations 2001, S.I. 2001/1701 (as amended), Schedule 9.

Intertek Testing & Certification Ltd
 Academy Place, 1-9 Brook Street, Brentwood, Essex,
 CM145NQ United Kingdom

Approved Body Number: 0359

L_{WA} (measured sound power level) 91 dB(A),

Uncertainty (K) = 2.0 dB(A),

L_{WA} (guaranteed sound power) 96 dB(A).

These products also conform to the following UK Regulations:
 Electromagnetic Compatibility Regulations, 2016,
 S.I.2016/1091 (as amended).

The Restriction of the Use of Certain Hazardous Substances in Electrical and Electronic Equipment Regulations 2012, S.I. 2012/3032 (as amended).

For more information, please contact STANLEY FATMAX at the following address or refer to the back of the manual.

The undersigned is responsible for compilation of the technical file and makes this declaration on behalf of STANLEY FATMAX.



Paul Featherstone
 Product Director - Outdoor Products Group
 Stanley UK,
 270 Bath Road, Slough
 Berkshire SL1 4DX
 England
 2022-08-20

Guarantee

STANLEY FATMAX is confident of the quality of its products and offers consumers a 12 month guarantee from the date of purchase. This guarantee is in addition to and in no way prejudices your statutory rights. The guarantee is valid within the territories of the Member States of the European Union, European Free Trade area and the United Kingdom.

To claim on the guarantee, the claim must be in accordance with STANLEY FATMAX Terms and Conditions and you will need to submit proof of purchase to the seller or an authorised repair agent.

Terms and conditions of the STANLEY FATMAX 1 year guarantee and the location of your nearest authorised repair agent can be obtained on the Internet at www.2helpU.com, or by contacting your local STANLEY FATMAX office at the address indicated in this manual.

Please visit our website www.stanley.eu/3 to register your new STANLEY FATMAX product and receive updates on new products and special offers.

United Kingdom

STANLEY FATMAX
270 Bath Road
Slough, Berkshire SL1 4DX

Tel. 01753 511234
Fax 01753 572112
www.stanleytools.co.uk