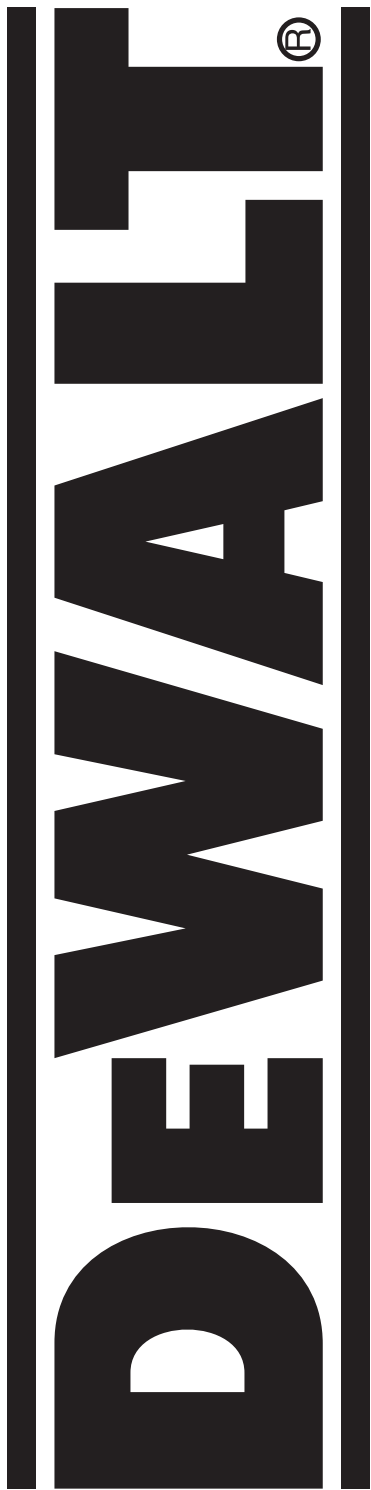


If you have questions or comments, contact us.
 Pour toute question ou tout commentaire, nous contacter.
 Si tiene dudas o comentarios, contáctenos.

1-800-4-DEWALT • www.dewalt.com

INSTRUCTIVO DE OPERACIÓN, CENTROS DE SERVICIO Y PÓLIZA DE GARANTÍA. **ADVERTENCIA:** LEASE ESTE INSTRUCTIVO ANTES DE USAR EL PRODUCTO.

INSTRUCTION MANUAL
 GUIDE D'UTILISATION
 MANUAL DE INSTRUCCIONES



D25899, D25902, D25941

Demolition Hammer
 Marteau de démolition
 Martillos para demolición

DEWALT Industrial Tool Co., 701 Joppa Road, Baltimore, MD 21286

(JUL13) Part No. N323723 D25899, D25902, D25941 Copyright © 2008, 2012, 2013 DEWALT

The following are trademarks for one or more DEWALT power tools: the yellow and black color scheme; the "D" shaped air intake grill; the array of pyramids on the handgrip; the kit box configuration; and the array of lozenge-shaped humps on the surface of the tool.

Definitions: Safety Guidelines

The definitions below describe the level of severity for each signal word. Please read the manual and pay attention to these symbols.

▲ DANGER: Indicates an imminently hazardous situation which, if not avoided, will result in **death or serious injury**.

▲ WARNING: Indicates a potentially hazardous situation which, if not avoided, could result in **death or serious injury**.

▲ CAUTION: Indicates a potentially hazardous situation which, if not avoided, may result in **minor or moderate injury**.

NOTICE: Indicates a practice **not related to personal injury** which, if not avoided, may result in **property damage**.

IF YOU HAVE ANY QUESTIONS OR COMMENTS ABOUT THIS OR ANY DEWALT TOOL, CALL US TOLL FREE AT: **1-800-4-DEWALT (1-800-433-9258)**.

WARNING: To reduce the risk of injury, read the instruction manual.

General Power Tool Safety Warnings

WARNING! Read all safety warnings and all instructions. Failure to follow the warnings and instructions may result in electric shock, fire and/or serious injury.

SAVE ALL WARNINGS AND INSTRUCTIONS FOR FUTURE REFERENCE

The term "power tool" in the warnings refers to your mains-operated (corded) power tool or battery-operated (cordless) power tool.

1) WORK AREA SAFETY

- a) **Keep work area clean and well lit.** Cluttered or dark areas invite accidents.
- b) **Do not operate power tools in explosive atmospheres, such as in the presence of flammable liquids, gases or dust.** Power tools create sparks which may ignite the dust or fumes.
- c) **Keep children and bystanders away while operating a power tool.** Distractions can cause you to lose control.

2) ELECTRICAL SAFETY

- a) **Power tool plugs must match the outlet. Never modify the plug in any way. Do not use any adapter plugs with earthed (grounded) power tools.** Unmodified plugs and matching outlets will reduce risk of electric shock.
- b) **Avoid body contact with earthed or grounded surfaces such as pipes, radiators, ranges and refrigerators.** There is an increased risk of electric shock if your body is earthed or grounded.
- c) **Do not expose power tools to rain or wet conditions.** Water entering a power tool will increase the risk of electric shock.
- d) **Do not abuse the cord. Never use the cord for carrying, pulling or unplugging the power tool. Keep cord away from heat, oil, sharp edges or moving parts.** Damaged or entangled cords increase the risk of electric shock.
- e) **When operating a power tool outdoors, use an extension cord suitable for outdoor use.** Use of a cord suitable for outdoor use reduces the risk of electric shock.
- f) **If operating a power tool in a damp location is unavoidable, use a ground fault circuit interrupter (GFCI) protected supply.** Use of a GFCI reduces the risk of electric shock.

3) PERSONAL SAFETY

- a) **Stay alert, watch what you are doing and use common sense when operating a power tool. Do not use a power tool while you are tired or under the influence of drugs, alcohol or medication.** A moment of inattention while operating power tools may result in serious personal injury.
- b) **Use personal protective equipment. Always wear eye protection.** Protective equipment such as dust mask, non-skid safety shoes, hard hat, or hearing protection used for appropriate conditions will reduce personal injuries.
- c) **Prevent unintentional starting. Ensure the switch is in the off position before connecting to power source and/or battery pack, picking up or carrying the tool.**

Carrying power tools with your finger on the switch or energizing power tools that have the switch on invites accidents.

- d) **Remove any adjusting key or wrench before turning the power tool on.** A wrench or a key left attached to a rotating part of the power tool may result in personal injury.
 - e) **Do not overreach. Keep proper footing and balance at all times.** This enables better control of the power tool in unexpected situations.
 - f) **Dress properly. Do not wear loose clothing or jewelry. Keep your hair, clothing and gloves away from moving parts.** Loose clothes, jewelry or long hair can be caught in moving parts.
 - g) **If devices are provided for the connection of dust extraction and collection facilities, ensure these are connected and properly used.** Use of dust collection can reduce dust-related hazards.
- 4) POWER TOOL USE AND CARE**
- a) **Do not force the power tool. Use the correct power tool for your application.** The correct power tool will do the job better and safer at the rate for which it was designed.
 - b) **Do not use the power tool if the switch does not turn it on and off.** Any power tool that cannot be controlled with the switch is dangerous and must be repaired.
 - c) **Disconnect the plug from the power source and/or the battery pack from the power tool before making any adjustments, changing accessories, or storing power tools.** Such preventive safety measures reduce the risk of starting the power tool accidentally.
 - d) **Store idle power tools out of the reach of children and do not allow persons unfamiliar with the power tool or these instructions to operate the power tool.** Power tools are dangerous in the hands of untrained users.
 - e) **Maintain power tools. Check for misalignment or binding of moving parts, breakage of parts and any other condition that may affect the power tool's operation. If damaged, have the power tool repaired before use.** Many accidents are caused by poorly maintained power tools.
 - f) **Keep cutting tools sharp and clean.** Properly maintained cutting tools with sharp cutting edges are less likely to bind and are easier to control.
 - g) **Use the power tool, accessories and tool bits, etc. in accordance with these instructions, taking into account the working conditions and the work to be performed.** Use of the power tool for operations different from those intended could result in a hazardous situation.

5) SERVICE

- a) **Have your power tool serviced by a qualified repair person using only identical replacement parts.** This will ensure that the safety of the power tool is maintained.

Additional Safety Instructions for Demolition Hammers

- **Wear ear protectors.** Exposure to noise can cause hearing loss.
- **Use auxiliary handles supplied with the tool.** Loss of control can cause personal injury.
- **Hold power tool by insulated gripping surfaces when performing an operation where the cutting accessory may contact hidden wiring or its own cord.** Cutting accessory contacting a "live" wire may make exposed metal parts of the power tool "live" and could give the operator an electric shock.
- **Be certain that the material being drilled does not conceal electric or gas service and that their locations have been verified with the utility companies.**
- **Keep a firm grip on the tool at all times.** Do not attempt to operate this tool without holding it with both hands. Operating this tool with one hand will result in loss of control. Breaking through or encountering hard materials such as re-bar may be hazardous as well. Tighten the side handle securely before use.
- **Ensure the chisel is secured in place before operating the tool.**
- **In cold-weather conditions or when the tool has not been used for a longer period of time, let the tool run with no load for several minutes before use.**
- **When working above ground level ensure the area below is clear.**
- **Do not touch the chisel or the parts close to the chisel immediately after operation, as they may be extremely hot and cause burns to the skin.**
- **Always direct the power cable to the rear, away from the chisel.**
- **Do not operate this tool for long periods of time.** Vibration caused by hammer action may be harmful to your hands and arms. Use gloves to provide extra cushion and limit exposure by taking frequent rest periods.
- **Air vents often cover moving parts and should be avoided.** Loose clothes, jewelry or long hair can be caught in moving parts.
- **An extension cord must have adequate wire size (AWG or American Wire Gauge) for safety.** The smaller the gauge number of the wire, the greater the capacity of the cable, that is 16 gauge has more capacity than 18 gauge. An undersized cord will cause a drop in line voltage resulting in loss of power and overheating. When using more than one extension to make up the total length, be sure each individual extension contains at least the minimum wire size. The following table shows the correct size to use depending on cord length and nameplate ampere rating. If in doubt, use the next heavier gauge. The smaller the gauge number, the heavier the cord.

		Minimum Gauge for Cord Sets				
Ampere Rating		Volts	Total Length of Cord in Feet (meters)			
		120V	25 (7.6)	50 (15.2)	100 (30.5)	150 (45.7)
		240V	50 (15.2)	100 (30.5)	200 (61.0)	300 (91.4)
More Than	Not More Than	AWG				
0	6		18	16	16	14
6	10		18	16	14	12
10	12		16	16	14	12
12	16		14	12	Not Recommended	

▲ WARNING: ALWAYS use safety glasses. Everyday eyeglasses are NOT safety glasses. Also use face or dust mask if cutting operation is dusty. ALWAYS WEAR CERTIFIED SAFETY EQUIPMENT:

- ANSI Z87.1 eye protection (CAN/CSA Z94.3),
- ANSI S12.6 (S3.19) hearing protection,
- NIOSH/OSHA/MSHA respiratory protection.

need to verify with compliance if the following text (Prop 65) is the correct wording for this tool:

▲ WARNING: Some dust created by power sanding, sawing, grinding, drilling, and other construction activities contains chemicals known to the State of California to cause cancer, birth defects or other reproductive harm. Some examples of these chemicals are:

- lead from lead-based paints,
- crystalline silica from bricks and cement and other masonry products, and
- arsenic and chromium from chemically-treated lumber.

Your risk from these exposures varies, depending on how often you do this type of work. To reduce your exposure to these chemicals: work in a well ventilated area, and work with approved safety equipment, such as those dust masks that are specially designed to filter out microscopic particles.

• **Avoid prolonged contact with dust from power sanding, sawing, grinding, drilling, and other construction activities. Wear protective clothing and wash exposed areas with soap and water.** Allowing dust to get into your mouth, eyes, or lay on the skin may promote absorption of harmful chemicals.

▲ WARNING: Use of this tool can generate and/or disperse dust, which may cause serious and permanent respiratory or other injury. Always use NIOSH/OSHA approved respiratory protection appropriate for the dust exposure. Direct particles away from face and body.

may or may not need this warning, depends on tool:

▲ WARNING: Always wear proper personal hearing protection that conforms to ANSI S12.6 (S3.19) during use. Under some conditions and duration of use, noise from this product may contribute to hearing loss.

• The label on your tool may include the following symbols. The symbols and their definitions are as follows:

V.....volts	A.....amperes
Hz.....hertz	W.....watts
minminutes	~ or AC.....alternating current
== or DC.....direct current	⎓ or AC/DC.....alternating or direct current
Ⓢ.....Class I Construction (grounded)	no.....no load speed
Ⓜ.....Class II Construction (double insulated)	n.....rated speed
.../minper minute	Ⓧ.....earthing terminal
IPM.....impacts per minute	▲.....safety alert symbol
SPM.....strokes per minute	BPM.....beats per minute
	RPM.....revolutions per minute
	sfpm.....surface feet per minute

SAVE THESE INSTRUCTIONS FOR FUTURE USE

Motor

Be sure your power supply agrees with the nameplate marking. Voltage decrease of more than 10% will cause loss of power and overheating. DEWALT tools are factory tested; if this tool does not operate, check power supply.

Components (Fig. 1)

⚠ WARNING: Never modify the power tool or any part of it. Damage or personal injury could result.

- A. On/off switch
- B. Rear handle
- C. Electronic impact energy control dial (D25902 only)
- D. Chisel position index collar
- E. Tool holder/sleeve
- F. Side handle

INTENDED USE

The D25899, D25902 and D25941 heavy-duty demolition hammers are designed for professional demolition, chipping and chasing applications in concrete, brick, stone and other masonry materials. **DO NOT** use under wet conditions or in presence of flammable liquids or gases.

These heavy-duty demolition hammers are professional power tools. **DO NOT** let children come into contact with the tool. Supervision is required when inexperienced operators use this tool.

Residual Risks

- In spite of the application of the relevant safety regulations and the implementation of safety devices, certain residual risks cannot be avoided.

These are:

- Impairment of hearing.
- Risk of dust inhalation.
- Risk of personal injury due to prolonged use.
- Risk of burns due to accessories becoming hot during operation.

Soft Start Feature

D25902, D25941

The soft start feature allows the impact rate to build up more slowly, thus preventing the chisel or point from “bouncing” around on the masonry when starting up.

Active Vibration Control

D25902, D25941

The active vibration control neutralizes rebound vibration from the hammer mechanism. Lowering hand and arm vibration, it allows more comfortable use for longer periods of time and extends the life of the unit.

Electronic Impact Energy Control Dial

D25902 ONLY (FIG. 1)

The electronic impact energy control dial (C) offers optimal tool control for precise chiselling with minimal break-out when chiselling soft or brittle materials. It also allows the use of smaller accessories without risk of breakage.

ASSEMBLY AND ADJUSTMENT

⚠ WARNING: To reduce the risk of injury, turn unit off and disconnect it from power source before installing and removing accessories, before adjusting or when making repairs. An accidental start-up can cause injury.

⚠ WARNING: Always wear gloves when changing accessories. The exposed metal parts on the tool and accessory may become extremely hot during operation.

⚠ WARNING: Since accessories, other than those offered by DEWALT, have not been tested with this product, use of such accessories with this tool could be hazardous. To reduce the risk of injury, only DEWALT, recommended accessories should be used with this product.

⚠ CAUTION: To reduce dust contamination in the tool, keep dust and debris away from the bit and the beat piece.

Inserting and Removing SDS-max® Accessories

⚠ CAUTION: To reduce the risk of tool damage, only use SDS-max® shank accessories with the D25899 and the D25902.

D25902 D25899 (FIG. 2, 3)

This machine uses SDS-max® chisels (refer to the inset in Figure 3 for a cross-section of a chisel shank).

1. Clean and grease the chisel shank.

⚠ CAUTION: Do not apply lubricant to the machine.

2. Insert the chisel shank into the tool holder/sleeve (E). Press and turn the chisel slightly until the sleeve snaps into position.
3. Pull on the chisel to check if it is properly locked. The hammering function requires the chisel to be able to move axially several centimeters when locked in the tool holder.
4. To remove a chisel, pull back the tool holder/sleeve (E) and pull the chisel out of the tool holder.

Inserting and Removing 19 mm Hex Accessories

CAUTION: To reduce the risk of tool damage, only use 3/4" (19 mm) hex shank accessories with the D25941.

D25941 (FIG. 4, 5)

This machine uses chisels with a 19 mm hex shank (refer to the inset in Figure 5 for a cross-section of a chisel shank).

1. Clean and grease the chisel shank.

⚠ CAUTION: Do not apply lubricant to the machine.

2. Pull back the tool holder/sleeve (E), align the groove (G) with the yellow marker (H) and insert the chisel shank into the tool holder. Release the locking sleeve.
3. Pull on the chisel to check if it is properly locked. The hammering function requires the chisel to be able to move axially several centimetres when locked in the tool holder.
4. To remove a chisel, pull back the tool holder/sleeve (E) and pull the chisel out of the tool holder.

Indexing the Chisel Position (Fig. 6)

The chisel can be indexed and locked into 12 different positions.

1. Insert the chisel as described above.
2. Rotate the chisel position collar (D) in the direction of the arrow until the chisel is in the desired position.

Setting the Electronic Impact Energy Control Dial

D25902 (FIG. 1)

Turn the dial (C) to the desired level. The higher the number, the greater the impact energy. With dial settings from 1 (low) to 7 (full power) the tool is extremely versatile and adaptable for many different applications.

The required setting is a matter of experience, for example:

- when chiselling soft, brittle materials or when minimum break-out is required, set the dial to 1 or 2 (low);
- when breaking harder materials, set the dial to 7 (full power).

Fitting and Adjusting the Side Handle (Fig. 7)

The side handle (F) can be mounted on the front of the machine to suit both right- and left-hand users.

⚠ WARNING: Always operate the machine with the side handle properly mounted.

1. Unscrew the side handle clamp knob (J).
2. Slide the side handle assembly onto the machine locating the steel ring (I) in the mounting area (X). The correct position of the side handle is between head and middle of the tube.
3. Adjust the side handle (F) to the desired angle.
4. Slide and rotate the side handle to the desired position.
5. Lock the side handle in place by securely tightening the clamp knob (J).

Instructions for Use

⚠ WARNING: Always observe the safety instructions and applicable regulations.

⚠ WARNING: Be aware of the location of pipework and wiring.

⚠ WARNING: Apply a pressure of approx. 44–66 lbs. (20–30 kg.) to the tool. Excessive force does not speed up chiselling but decreases tool performance and may shorten tool life.

FIG. 1

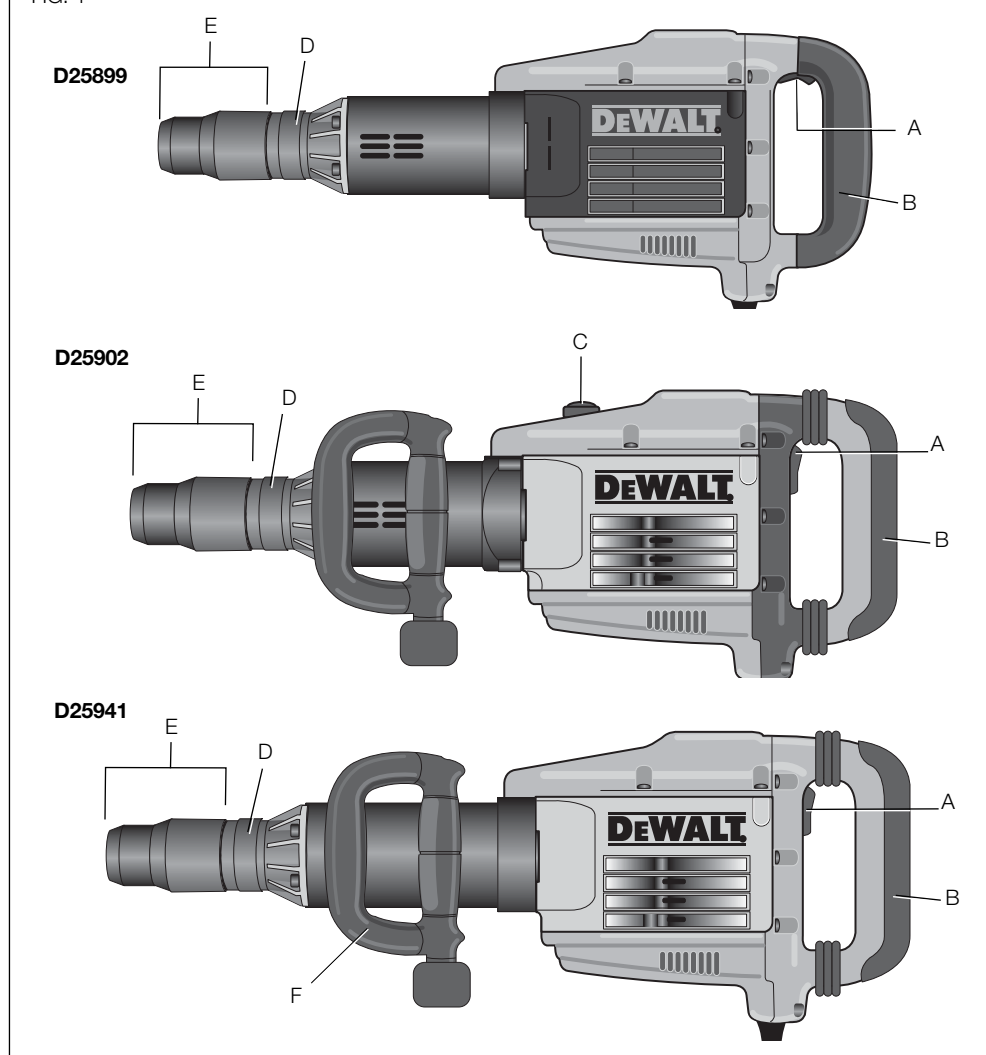


FIG. 2

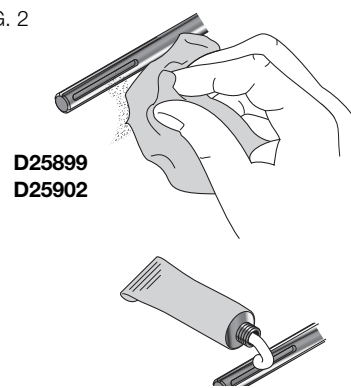


FIG. 3

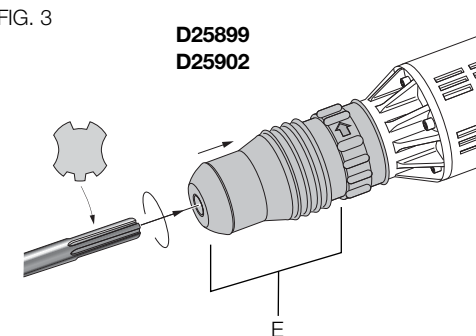


FIG. 4

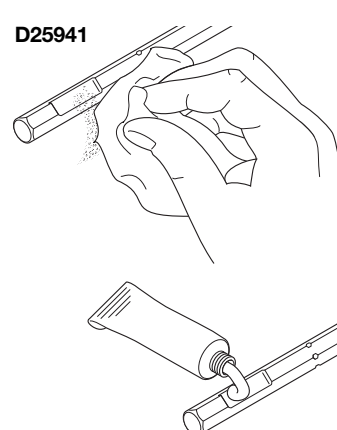


FIG. 5

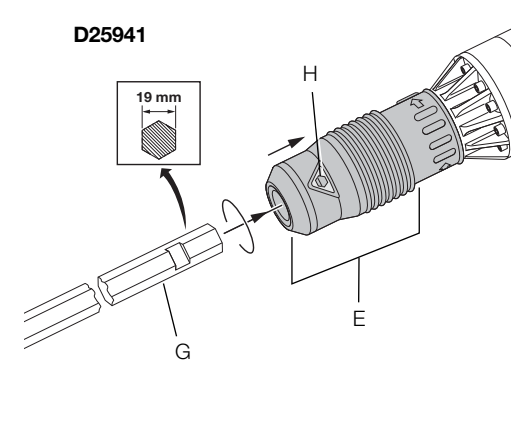


FIG. 6

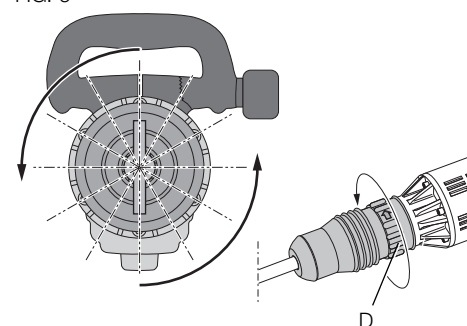
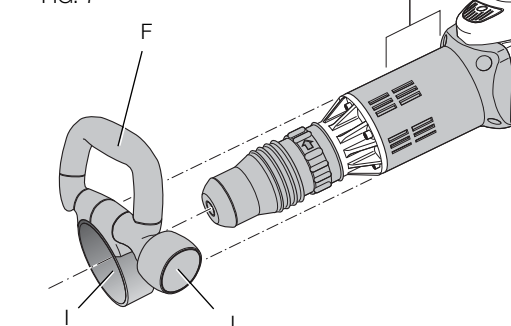


FIG. 7



Switching On and Off (Fig. 1)

To turn the tool on, set the on/off switch (A) to position 1. To turn the tool off, set the on/off switch (A) to position 0.

Demolition, Chasing and Channelling (Fig. 1)

⚠ WARNING: Ensure that the cutting edge does not show discoloration caused by too much pressure. This may impair the hardness of the accessory.

Various types of chisels are available as an option.

1. Select the appropriate chisel. Clean and grease its shank.
2. Insert the chisel and check whether it is properly locked.
3. Set the desired impact energy level.
4. Fit and adjust the side handle (F) and make sure it is firmly tightened.
5. Hold the tool at both handles (B, F) and switch on. The tool now runs in continuous operation.
6. Always switch off the tool when work is finished and before unplugging.

MAINTENANCE

⚠ WARNING: To reduce the risk of injury, turn unit off and disconnect it from power source before installing and removing accessories, before adjusting or when making repairs. An accidental start-up can cause injury.

Lubrication

Your power tool requires no additional lubrication.

Cleaning

⚠ WARNING: Blow dirt and dust out of all air vents with clean, dry air at least once a week. To minimize the risk of eye injury, always wear ANSI Z87.1 approved eye protection when performing this.

⚠ WARNING: Never use solvents or other harsh chemicals for cleaning the non-metallic parts of the tool. These chemicals may weaken the plastic materials used in these parts. Use a cloth dampened only with water and mild soap. Never let any liquid get inside the tool; never immerse any part of the tool into a liquid.

Accessories

⚠ WARNING: Since accessories, other than those offered by DEWALT, have not been tested with this product, use of such accessories with this tool could be hazardous. To reduce the risk of injury, only DEWALT recommended accessories should be used with this product.

Recommended accessories for use with your tool are available at extra cost from your local dealer or authorized service center. If you need assistance in locating any accessory, please contact DEWALT Industrial Tool Co., 701 East Joppa Road, Baltimore, MD 21286, call 1-800-4-DEWALT (1-800-433-9258) or visit our website: www.dewalt.com.

Repairs

To assure product SAFETY and RELIABILITY, repairs, maintenance and adjustment (including brush inspection and replacement) should be performed by a DEWALT factory service center, a DEWALT authorized service center or other qualified service personnel. Always use identical replacement parts.

Register Online

Thank you for your purchase. Register your product now for:

- **WARRANTY SERVICE:** Registering your product will help you obtain more efficient warranty service in case there is a problem with your product.
- **CONFIRMATION OF OWNERSHIP:** In case of an insurance loss, such as fire, flood or theft, your registration of ownership will serve as your proof of purchase.
- **FOR YOUR SAFETY:** Registering your product will allow us to contact you in the unlikely event a safety notification is required under the Federal Consumer Safety Act.

Register online at www.dewalt.com/register.

Three Year Limited Warranty

DEWALT will repair, without charge, any defects due to faulty materials or workmanship for three years from the date of purchase. This warranty does not cover part failure due to normal wear or tool abuse. For further detail of warranty coverage and warranty repair information, visit www.dewalt.com or call 1-800-4-DEWALT (1-800-433-9258). This warranty does not apply to accessories or damage caused where repairs have been made or attempted by others. This warranty gives you specific legal rights and you may have other rights which vary in certain states or provinces.

In addition to the warranty, DEWALT tools are covered by our:

1 YEAR FREE SERVICE

DEWALT will maintain the tool and replace worn parts caused by normal use, for free, any time during the first year after purchase.

90 DAY MONEY BACK GUARANTEE

If you are not completely satisfied with the performance of your DEWALT Power Tool, Laser, or Nailer for any reason, you can return it within 90 days from the date of purchase with a receipt for a full refund – no questions asked.

LATIN AMERICA: This warranty does not apply to products sold in Latin America. For products sold in Latin America, see country specific warranty information contained in the packaging, call the local company or see website for warranty information.

FREE WARNING LABEL REPLACEMENT: If your warning labels become illegible or are missing, call 1-800-4-DEWALT (1-800-433-9258) for a free replacement.



Définitions : lignes directrices en matière de sécurité

Les définitions ci-dessous décrivent le niveau de danger pour chaque mot-indicateur employé. Lire le mode d'emploi et porter une attention particulière à ces symboles.

⚠ DANGER : indique une situation dangereuse imminente qui, si elle n'est pas évitée, entraînera la mort ou des blessures graves.

⚠ AVERTISSEMENT : indique une situation potentiellement dangereuse qui, si elle n'est pas évitée, pourrait entraîner la mort ou des blessures graves.

⚠ ATTENTION : indique une situation potentiellement dangereuse qui, si elle n'est pas évitée, pourrait entraîner des blessures légères ou modérées.

AVIS : indique une pratique ne posant aucun risque de dommages corporels mais qui par contre, si rien n'est fait pour l'éviter, pourrait poser des risques de dommages matériels.

POUR TOUTE QUESTION OU REMARQUE AU SUJET DE CET OUTIL OU DE TOUT AUTRE OUTIL DEWALT, COMPOSEZ LE NUMÉRO SANS FRAIS : 1-800-4-DEWALT (1-800-433-9258).

⚠ AVERTISSEMENT : afin de réduire le risque de blessures, lire le mode d'emploi de l'outil.

Avertissements de sécurité généraux pour les outils électriques

⚠ AVERTISSEMENT ! Lire tous les avertissements de sécurité et toutes les directives. Le non-respect des avertissements et des directives pourrait se solder par un choc électrique, un incendie et/ou une blessure grave.

CONSERVER TOUS LES AVERTISSEMENTS ET TOUTES LES DIRECTIVES POUR UN USAGE ULTÉRIEUR

Le terme « outil électrique » cité dans les avertissements se rapporte à votre outil électrique à alimentation sur secteur (avec fil) ou par piles (sans fil).

1) SÉCURITÉ DU LIEU DE TRAVAIL

- a) **Tenir l'aire de travail propre et bien éclairée.** Les lieux encombrés ou sombres sont propices aux accidents.
- b) **Ne pas faire fonctionner d'outils électriques dans un milieu déflagrant, tel qu'en présence de liquides, de gaz ou de poussières inflammables.** Les outils électriques produisent des étincelles qui pourraient enflammer la poussière ou les vapeurs.
- c) **Éloigner les enfants et les personnes à proximité pendant l'utilisation d'un outil électrique.** Une distraction pourrait en faire perdre la maîtrise à l'utilisateur.

2) SÉCURITÉ EN MATIÈRE D'ÉLECTRICITÉ

- a) **Les fiches des outils électriques doivent correspondre à la prise. Ne jamais modifier la fiche d'aucune façon. Ne jamais utiliser de fiche d'adaptation avec un outil électrique mis à la terre.** Le risque de choc électrique sera réduit par l'utilisation de fiches non modifiées correspondant à la prise.
- b) **Éviter tout contact physique avec des surfaces mises à la terre comme des tuyaux, des radiateurs, des cuisinières et des réfrigérateurs.** Le risque de choc électrique est plus élevé si votre corps est mis à la terre.
- c) **Ne pas exposer les outils électriques à la pluie ou à l'humidité.** La pénétration de l'eau dans un outil électrique augmente le risque de choc électrique.
- d) **Ne pas utiliser le cordon de façon abusive. Ne jamais utiliser le cordon pour transporter, tirer ou débrancher un outil électrique. Tenir le cordon éloigné de la chaleur, de l'huile, des bords tranchants et des pièces mobiles.** Les cordons endommagés ou enchevêtrés augmentent les risques de choc électrique.
- e) **Pour l'utilisation d'un outil électrique à l'extérieur, se servir d'une rallonge convenant à cette application.** L'utilisation d'une rallonge conçue pour l'extérieur réduira les risques de choc électrique.

f) **S'il est impossible d'éviter l'utilisation d'un outil électrique dans un endroit humide, brancher l'outil dans une prise ou sur un circuit d'alimentation dotés d'un disjoncteur de fuite à la terre (GFCI).** L'utilisation de ce type de disjoncteur réduit les risques de choc électrique.

3) SÉCURITÉ PERSONNELLE

- a) **Être vigilant, surveiller le travail effectué et faire preuve de jugement lorsqu'un outil électrique est utilisé. Ne pas utiliser d'outil électrique en cas de fatigue ou sous l'influence de drogues, d'alcool ou de médicaments.** Un simple moment d'inattention en utilisant un outil électrique peut entraîner des blessures corporelles graves.
- b) **Utiliser des équipements de protection individuelle. Toujours porter une protection oculaire.** L'utilisation d'équipements de protection comme un masque antipoussière, des chaussures antidérapantes, un casque de sécurité ou des protecteurs auditifs lorsque la situation le requiert réduira les risques de blessures corporelles.
- c) **Empêcher les démarrages intempestifs. S'assurer que l'interrupteur se trouve à la position d'arrêt avant de relier l'outil à une source d'alimentation et/ou d'insérer un bloc-piles, de ramasser ou de transporter l'outil.** Transporter un outil électrique alors que le doigt repose sur l'interrupteur ou brancher un outil électrique dont l'interrupteur est à la position de marche risque de provoquer un accident.
- d) **Retirer toute clé de réglage ou clé avant de démarrer l'outil.** Une clé ou une clé de réglage attachée à une partie pivotante de l'outil électrique peut provoquer des blessures corporelles.
- e) **Ne pas trop tendre les bras. Conserver son équilibre en tout temps.** Cela permet de mieux maîtriser l'outil électrique dans les situations imprévues.
- f) **S'habiller de manière appropriée. Ne pas porter de vêtements amples ni de bijoux. Garder les cheveux, les vêtements et les gants à l'écart des pièces mobiles.** Les vêtements amples, les bijoux ou les cheveux longs risquent de rester coincés dans les pièces mobiles.
- g) **Si des composants sont fournis pour le raccordement de dispositifs de dépoussiérage et de ramassage, s'assurer que ceux-ci sont bien raccordés et utilisés.** L'utilisation d'un dispositif de dépoussiérage peut réduire les dangers engendrés par les poussières.

4) UTILISATION ET ENTRETIEN D'UN OUTIL ÉLECTRIQUE

- a) **Ne pas forcer un outil électrique. Utiliser l'outil électrique approprié à l'application.** L'outil électrique approprié effectuera un meilleur travail, de façon plus sûre et à la vitesse pour laquelle il a été conçu.
- b) **Ne pas utiliser un outil électrique dont l'interrupteur est défectueux.** Tout outil électrique dont l'interrupteur est défectueux est dangereux et doit être réparé.
- c) **Débrancher la fiche de la source d'alimentation et/ou du bloc-piles de l'outil électrique avant de faire tout réglage ou changement d'accessoire ou avant de ranger l'outil.** Ces mesures préventives réduisent les risques de démarrage accidentel de l'outil électrique.
- d) **Ranger les outils électriques hors de la portée des enfants et ne permettre à aucune personne n'étant pas familière avec un outil électrique ou son mode d'emploi d'utiliser cet outil.** Les outils électriques deviennent dangereux entre les mains d'utilisateurs inexpérimentés.
- e) **Entretien des outils électriques. Vérifier si les pièces mobiles sont mal alignées ou coincées, si des pièces sont brisées ou présentent toute autre condition susceptible de nuire au bon fonctionnement de l'outil électrique. En cas de dommage, faire réparer l'outil électrique avant toute nouvelle utilisation.** Beaucoup d'accidents sont causés par des outils électriques mal entretenus.
- f) **S'assurer que les outils de coupe sont aiguisés et propres.** Les outils de coupe bien entretenus et affûtés sont moins susceptibles de se coincer et sont plus faciles à maîtriser.
- g) **Utiliser l'outil électrique, les accessoires, les forets, etc. conformément aux présentes directives en tenant compte des conditions de travail et du travail à effectuer.** L'utilisation d'un outil électrique pour toute opération autre que celle pour laquelle il a été conçu est dangereuse.

5) RÉPARATION

- a) **Faire réparer l'outil électrique par un réparateur professionnel en n'utilisant que des pièces de rechange identiques.** Cela permettra de maintenir une utilisation sécuritaire de l'outil électrique.

Directives de sécurité supplémentaires pour les marteaux de démolition

- **Porter des protecteurs d'oreilles.** Une exposition au bruit peut entraîner une perte auditive.
- **Utiliser les poignées auxiliaires fournies avec l'outil.** Une perte de maîtrise de l'outil peut entraîner des blessures.
- **Tenir l'outil électrique par les surfaces isolées prévues à cet effet pendant toute utilisation où l'organe de coupe pourrait entrer en contact avec des fils électriques cachés ou son propre cordon.** Tout contact de l'organe de coupe avec un fil sous tension mettra les parties métalliques exposées de l'outil électrique sous tension et électrocutera l'utilisateur.
- **S'assurer que le matériau percé ne cache pas de conduit électrique ou de gaz et que leur emplacement a été vérifié avec les entreprises de services publics.**
- **Tenir fermement l'outil en tout temps. Ne pas utiliser l'outil sans le tenir des deux mains.** Faire fonctionner cet outil d'une seule main risque de provoquer la perte de maîtrise de l'outil. Il peut aussi être dangereux de percer ou de tomber sur des matériaux durs comme une barre d'armature. Bien serrer la poignée latérale avant d'utiliser l'outil.
- **S'assurer que le burin est solidement fixé avant d'utiliser l'outil.**
- **Par temps froid ou lorsque l'outil n'a pas été utilisé pour une période prolongée de temps, laisser l'outil fonctionner à vide pour plusieurs minutes avant de l'utiliser.**
- **Lors de travaux au-dessus du niveau du sol, s'assurer que la zone inférieure adjacente est bien dégagée.**
- **Ne pas toucher le burin ou les pièces près du burin immédiatement après le fonctionnement de l'outil. Ils risquent d'être extrêmement chauds et de provoquer des brûlures cutanées.**
- **Toujours acheminer le cordon d'alimentation vers l'arrière, à l'écart du burin.**
- **Ne pas faire fonctionner cet outil durant de longues périodes.** Les vibrations causées par la percussion du marteau peuvent être nuisibles pour vos mains et vos bras. Utiliser des gants pour amortir davantage les vibrations et limiter l'exposition à l'outil par de fréquentes périodes de repos.
- **Prendre des précautions à proximité des événements, car ils cachent des pièces mobiles.** Vêtements amples, bijoux ou cheveux longs risquent de rester coincés dans ces pièces mobiles.
- **Pour la sécurité de l'utilisateur, utiliser une rallonge de calibre adéquat (AWG, American Wire Gauge [calibrage américain normalisé des fils électriques]).** Plus le calibre est petit, et plus sa capacité est grande. Un calibre 16, par exemple, a une capacité supérieure à un calibre 18. L'usage d'une rallonge de calibre insuffisant causera une chute de tension qui entraînera perte de puissance et surchauffe. Si plus d'une rallonge est utilisée pour obtenir une certaine longueur, s'assurer que chaque rallonge présente au moins le calibre de fil minimum. Le tableau ci-dessous illustre les calibres à utiliser selon la longueur de rallonge et l'intensité nominale indiquée sur la plaque signalétique. En cas de doute, utiliser le calibre suivant. Plus le calibre est petit, plus la rallonge peut supporter de courant.

Calibres minimaux des rallonges						
Intensité (en ampères)	voigts		Longueur totale de cordon en mètres (pieds)			
	120 V	240 V	7,6 (25)	15,2 (50)	30,5 (100)	45,7 (150)
	240 V	15,2 (50)	30,5 (100)	61,0 (200)	91,4 (300)	
Supérieur à	Inférieur à	AWG				
0	6	18	16	16	14	
6	10	18	16	14	12	
10	12	16	16	14	12	
12	16	14	12	Non recommandé		

⚠ AVERTISSEMENT : porter SYSTEMATIQUÉMENT des lunettes de protection. Les lunettes courantes NE sont PAS des lunettes de protection. Utiliser aussi un masque antipoussières si la découpe doit en produire beaucoup. PORTER SYSTÉMATIQUÉMENT UN ÉQUIPEMENT DE SÉCURITÉ HOMOLOGUÉ :

- Protection oculaire ANSI Z87.1 (CAN/CSA Z94.3) ;
- Protection auditive ANSI S12.6 (S3.19) ;
- Protection des voies respiratoires NIOSH/OSHA/MSHA.

⚠ AVERTISSEMENT : les scies, meules, ponceuses, perceuses ou autres outils de construction peuvent produire des poussières contenant des produits chimiques reconnus par l'État californien pour causer cancers, malformations congénitales ou être nocifs au système reproducteur. Parmi ces produits chimiques, on retrouve :

- Le plomb dans les peintures à base de plomb ;
- La silice cristallisée dans les briques et le ciment, ou autres produits de maçonnerie ; et
- L'arsenic et le chrome dans le bois ayant subi un traitement chimique.

Le risque associé à de telles expositions varie selon la fréquence à laquelle on effectue ces travaux. Pour réduire toute exposition à ces produits : travailler dans un endroit bien aéré, en utilisant du matériel de sécurité homologué, tel un masque antipoussières spécialement conçu pour filtrer les particules microscopiques.

- Limiter toute exposition prolongée avec les poussières provenant du ponçage, sciage, meulage, perçage ou toute autre activité de construction. Porter des vêtements de protection et nettoyer à l'eau savonneuse les parties du corps exposées.** Le fait de laisser la poussière pénétrer dans la bouche, les yeux ou la peau peut favoriser l'absorption de produits chimiques dangereux.

⚠AVERTISSEMENT : cet outil peut produire et/ou répandre de la poussière susceptible de causer des dommages sérieux et permanents au système respiratoire. Utiliser systématiquement un appareil de protection des voies respiratoires homologué par le NIOSH ou l’OSHA. Diriger les particules dans le sens opposé au visage et au corps.

⚠AVERTISSEMENT : pendant l'utilisation, porter systématiquement une protection auditive individuelle adéquate homologuée ANSI S12.6 (S3.19). Sous certaines conditions et suivant la durée d'utilisation, le bruit émanant de ce produit pourrait contribuer à une perte de l'acuité auditive.

- L'étiquette apposée sur votre outil peut inclure les symboles suivants. Les symboles et leur définition sont indiqués ci-après :

V..... volts	A..... ampères
Hz..... hertz	W..... watts
minminutes	~ ou AC..... courant alternatif
⎓ ou DC....courant continu	⎓ ou AC/DC... courant alternatif ou continu
Ⓛ.....classe I fabrication (mis à la terre)	n _o vitesse à vide
Ⓜ.....fabrication classe II (double isolation)	n..... vitesse nominale
.../minpar minute	⊕..... borne de terre
IPM.....impacts par minute	⚠..... symbole d’avertissement
sfp _mpieds linéaires par minute (plp _m)	BPM..... battements par minute
SPM (FPM)....fréquence par minute	r/min..... tours par minute

CONSERVER CES CONSIGNES POUR UTILISATION ULTÉRIEURE

Moteur

S'assurer que le bloc d'alimentation est compatible avec l'inscription de la plaque signalétique.Une diminution de tension de plus de 10 % provoquera une perte de puissance et une surchauffe. Les outils DEWALT sont testés en usine ; si cet outil ne fonctionne pas, vérifier l'alimentation électrique.

COMPOSANTS (Fig. 1)

⚠AVERTISSEMENT : ne jamais modifier l'outil électrique ou l'une de ses parties. Une telle pratique risque de provoquer des dommages matériels ou des blessures.

- Interrupteur marche/arrêt
- Poignée arrière
- Molette de commande électronique de l'énergie d'impact (modèle D25902 uniquement)
- Bague d'indexation de positionnement de burin
- Porte-outil/manchon
- Poignée latérale

UTILISATION PRÉVUE

Les marteaux de démolition de service intensif, modèles D25899, D25902 et D25941, sont conçus pour la démolition, le burinage et la gravure professionnels dans le béton, la brique, la pierre et autres matières de maçonnerie. **NE PAS** utiliser dans des conditions humides ou en présence de liquides ou de gaz inflammables.

Ces marteaux de démolition robustes sont des outils électriques professionnels. **NE PAS** laisser les enfants toucher à l'outil. Les opérateurs inexpérimentés doivent être supervisés lorsqu'ils utilisent cet outil.

Risques résiduels

- Il est impossible d'éviter certains risques résiduels attenants malgré le respect de toutes les règles de sécurité appropriées et l'utilisation de dispositifs de protection.*

Voici les risques résiduels :

- Perte auditive.
- Risque d'inhalation de poussières.
- Risque de blessures dû à une utilisation prolongée.
- Risque de brûlures dû aux accessoires qui deviennent chauds à l'usage.

Fonction de démarrage en douceur

MODÈLES D25902 ET D25941

La fonction de démarrage en douceur accroît graduellement le rythme d'impact de façon plus lente. Ainsi, le burin ou la pointe ne rebondit pas sur la maçonnerie à l'amorce.

Correcteur antivibrations actif

MODÈLES D25902 ET D25941

Le correcteur antivibrations actif neutralise la vibration du mécanisme du marteau, provoquée par le rebond. Il permet de réduire le taux de vibrations au niveau des mains et des bras pour une utilisation confortable plus prolongée. Il prolonge également la durée de vie de l'appareil.

Molette de commande électronique de l'énergie d'impact

MODÈLE D25902 SEULEMENT (FIG. 1)

La molette de commande électronique de l'énergie d'impact (C) optimise la maîtrise de l'outil pour un burinage précis avec un minimum de bris dans les matières meubles ou cassantes. Elle permet également l'utilisation d'accessoires plus petits sans risque de bris.

ASSEMBLAGE ET RÉGLAGE

⚠AVERTISSEMENT : pour réduire le risque de blessures, éteindre l'appareil et le débrancher avant d'installer ou de retirer tout accessoire et avant d'effectuer des réglages ou des réparations. Un démarrage accidentel peut provoquer des blessures.

⚠AVERTISSEMENT : toujours porter des gants pour le changement des accessoires. Il est possible que les pièces métalliques exposées de l'outil et les accessoires deviennent très chauds en cours de fonctionnement.

⚠AVERTISSEMENT : puisque les accessoires autres que ceux offerts par DEWALT n'ont pas été testés avec ce produit, l'utilisation de ceux-ci avec l'outil pourrait s'avérer dangereuse. Pour réduire le risque de blessures, utiliser exclusivement les accessoires DEWALT recommandés avec le présent produit.

ATTENTION : pour réduire la contamination de l'outil par la poussière, tenir le burin et la pièce de frappe loin de la poussière.

Insertion et retrait des accessoires à emmanchement SDS-max®

ATTENTION : pour réduire le risque d'endommager l'outil, utiliser uniquement des accessoires à emmanchement SDS-max® avec les modèles D25899 et D25902.

MODÈLES D25902 ET D25899 (FIG. 2, 3)

Cet outil utilise des burins à emmanchement SDS-max® (se reporter à l'encadré de la figura 3 pour visualiser l'emmanchement du burin en coupe transversale).

- Nettoyer et graisser l'emmanchement du burin.

⚠ATTENTION : ne pas lubrifier l'outil.

- Insérer l'emmanchement du burin dans le porte-outil ou manchon (E). Enfoncer et tourner légèrement le burin jusqu'à ce que le manchon s'enclenche en position.
- Tirer sur le burin pour vérifier s'il est bien verrouillé en position. Pour le martellement, le burin doit être en mesure de se déplacer axialement sur plusieurs centimètres lorsque verrouillé dans le porte-outil.
- Pour retirer un burin, rétracter le porte-outil ou le manchon (E) et retirer le burin hors du porte-outil.

Insertion et retrait des accessoires à emmanchement hexagonal de 19 mm

ATTENTION : pour réduire le risque d'endommager l'outil, utiliser uniquement des accessoires à emmanchement hexagonal de 19 mm (3/4 po) de diamètre pour le modèle D25941.

MODÈLE D25941 (FIG. 4, 5)

Cet outil utilise des burins à emmanchement de 19 mm (se reporter à l'encadré de la figure 5 pour visualiser l'emmanchement du burin en coupe transversale).

- Nettoyer et graisser l'emmanchement du burin.

⚠ATTENTION : ne pas lubrifier l'outil.

- Rétracter le porte-outil ou le manchon (E), aligner la rainure (G) avec le repère jaune (H) et insérer l'emmanchement du burin dans le porte-outil. Relâcher le manchon bloquant.
- Tirer sur le burin pour vérifier s'il est bien verrouillé en position. Pour le martellement, le burin doit être en mesure de se déplacer axialement sur plusieurs centimètres lorsque verrouillé dans le porte-outil.
- Pour retirer un burin, rétracter le porte-outil ou le manchon (E) et retirer le burin hors du porte-outil.

Indexation de la position du burin (Fig. 6)

Il est possible d'indexer et de verrouiller le burin en 12 positions différentes.

- Insérer le burin comme décrit ci-dessus.
- Faire tourner la bague de positionnement du burin (D) dans le sens de la flèche jusqu'à ce que le burin soit dans la position voulue.

Réglage de la molette de commande électronique de l'énergie d'impact

MODÈLE D25902 (FIG. 1)

Tourner la molette (C) au niveau choisi. Plus le nombre est élevé, plus l'énergie de percussion sera élevée. L'outil est très polyvalent et s'adapte à plusieurs usages avec la molette pouvant se régler de 1 (impact faible) à 7 (pleine puissance).

Le réglage choisi est en fait une question d'expérience. Par exemple :

- lors du burinage de matières meubles, cassantes ou pour minimiser les bris, régler la molette à 1 ou 2 (impact faible);
- pour des matières plus dures, régler la molette à 7 (pleine puissance).

Installation et réglage de la poignée latérale (Fig. 7)

Il est possible de fixer la poignée latérale (F) à l'avant de l'outil pour satisfaire aux besoins des gauchers aussi bien que des droitiers.

⚠AVERTISSEMENT : toujours utiliser l'outil avec la poignée latérale bien assemblée.

- Dévisser le bouton de serrage (J) de la poignée latérale.
- Faire coulisser la poignée latérale dans l'outil tout en positionnant l'anneau métallique (I) de la zone de fixation (X). La poignée latérale est bien positionnée entre la pointe et le milieu du tube.
- Régler la poignée latérale (F) à l'angle voulu.
- Faire coulisser et faire tourner la poignée latérale à la position voulue.
- Verrouillez la poignée latérale en place en resserrant soigneusement le bouton de fixation (J).

Directives de fonctionnement

⚠AVERTISSEMENT : toujours respecter les consignes de sécurité et les règles applicables.

⚠AVERTISSEMENT : connaître l'emplacement de toute tuyauterie et de câblage électrique.

⚠AVERTISSEMENT : appliquer une pression de près de 20 à 30 kg (44 à 66 lb) sur l'outil. Une force excessive n'accélère pas le burinage. Elle réduit le rendement de l'outil et pourrait en réduire sa durée de vie.

Mise en marche et arrêt (Fig. 1)

Pour mettre l'outil en marche, régler l'interrupteur marche/arrêt (A) à la position 1. Pour l'arrêter, régler l'interrupteur marche/arrêt (A) à la position 0.

Démolition, gravure et canalisation (Fig. 1)

⚠AVERTISSEMENT : s'assurer que le bord tranchant ne présente pas de décoloration provoquée par une pression excessive. Cela pourrait compromettre la solidité de l'accessoire.

Plusieurs types de burins sont offerts en option.

- Sélectionner le bon burin. Le nettoyer et en graisser l'emmanchement.
- Insérer le burin et vérifier s'il est bien verrouillé.
- Régler le bon niveau d'énergie d'impact.
- Installer et régler la poignée latérale (F) et s'assurer qu'elle est fermement serrée.
- Tenir l'outil par les deux poignées (B, F) et le mettre en marche. L'outil fonctionne maintenant en mode continu.
- Toujours arrêter l'outil lorsque le travail est terminé et avant de le débrancher.

MAINTENANCE

⚠AVERTISSEMENT : pour réduire le risque de blessures, éteindre l'appareil et le débrancher avant d'installer ou de retirer tout accessoire et avant d'effectuer des réglages ou des réparations. Un démarrage accidentel peut provoquer des blessures.

Graissage

L'outil électrique n'exige aucun graissage supplémentaire.

Nettoyage

⚠AVERTISSEMENT : enlever les saletés et la poussière hors des événements au moyen d'air comprimé propre et sec, au moins une fois par semaine. Pour minimiser le risque de blessure aux yeux, toujours porter une protection oculaire conforme à la norme ANSI Z87.1 lors du nettoyage.

⚠AVERTISSEMENT : ne jamais utiliser de solvants ni d'autres produits chimiques puissants pour nettoyer les pièces non métalliques de l'outil. Ces produits chimiques peuvent affaiblir les matériaux de plastique utilisés dans ces pièces. Utiliser un chiffon humecté uniquement d'eau et de savon doux. Ne jamais laisser de liquide pénétrer dans l'outil et n'immerger aucune partie de l'outil dans un liquide.

Accessoires

⚠AVERTISSEMENT : puisque les accessoires autres que ceux offerts par DEWALT n'ont pas été testés avec ce produit, leur utilisation pourrait s'avérer dangereuse. Pour réduire le risque de blessures, utiliser exclusivement les accessoires DEWALT recommandés avec le présent produit.

Les accessoires recommandés pour cet outil sont vendus séparément au centre de service de votre région. Pour obtenir de l'aide concernant l'achat d'un accessoire, communiquer avec DEWALT Industrial Tool Co., 701 East Joppa Road, Baltimore, MD 21286 aux États-Unis; composer le 1 800 433-9258 (1 800 4-DEWALT) ou visiter notre site Web : www.dewalt.com.

Réparations

Pour assurer la SÉCURITÉ et la FIABILITÉ du produit, les réparations, l'entretien et les réglages doivent être réalisés (cela comprend l'inspection et le remplacement du balai) par un centre de réparation en usine DEWALT, un centre de réparation agréé DEWALT ou par d'autres techniciens qualifiés. Toujours utiliser des pièces de rechange identiques.

Registre en ligne

Merci pour votre achat. Enregistrez dès maintenant votre produit:

- RÉPARATIONS SOUS GARANTIE:** cette carte remplie vous permettra de vous prévaloir du service de réparations sous garantie de façon plus efficace dans le cas d'un problème avec le produit.
- CONFIRMATION DE PROPRIÉTÉ:** en cas de perte provoquée par un incendie, une inondation ou un vol, cette preuve de propriété vous servira de preuve auprès de votre compagnie d'assurances.
- SÉCURITÉ:** l'enregistrement de votre produit nous permettra de communiquer avec vous dans l'éventualité peu probable de l'envoi d'un avis de sécurité régi par la loi fédérale américaine de la protection des consommateurs.

Registre en ligne à www.dewalt.com/register.

Garantie limitée de trois ans

DEWALT réparera, sans frais, tout produit défectueux causé par un défaut de matériel ou de fabrication pour une période de trois ans à compter de la date d'achat. La présente garantie ne couvre pas les pièces dont la déféctuosité a été causée par une usure normale ou l'usage abusif de l'outil. Pour obtenir de plus amples renseignements sur les pièces ou les réparations couvertes par la présente garantie, visiter le site www.dewalt.com ou composer le 1 800 433-9258 (1 800 4-DEWALT). Cette garantie ne s'applique pas aux accessoires et ne vise pas les dommages causés par des réparations effectuées par un tiers. Cette garantie confère des droits légaux particuliers à l'acheteur, mais celui-ci pourrait aussi bénéficier d'autres droits variant d'un état ou d'une province à l'autre.

En plus de la présente garantie, les outils DEWALT sont couverts par notre :

CONTRAT D'ENTRETIEN GRATUIT D'UN AN

DEWALT entretiendra l'outil et remplacera les pièces usées au cours d'une utilisation normale et ce, gratuitement, pendant une période d'un an à compter de la date d'achat.

GARANTIE DE REMBOURSEMENT DE 90 JOURS

Si l'acheteur n'est pas entièrement satisfait, pour quelque raison que ce soit, du rendement de l'outil électrique, du laser ou de la cloueuse DEWALT, celui-ci peut le retourner, accompagné d'un reçu, dans les 90 jours à compter de la date d'achat pour obtenir un remboursement intégral, sans aucun problème.

AMÉRIQUE LATINE : cette garantie ne s'applique aux produits vendus en Amérique latine. Pour ceux-ci, veuillez consulter les informations relatives à la garantie spécifique présente dans l'emballage, appeler l'entreprise locale ou consulter le site Web pour les informations relatives à cette garantie.

REEMPLACEMENT GRATUIT DES ÉTIQUETTES D'AVERTISSEMENT : si les étiquettes d'avertissement deviennent illisibles ou sont manquantes, composer le 1 800 433-9258 (1 800 4-DEWALT) pour en obtenir le remplacement gratuit.



Definiciones: Normas de seguridad

Las siguientes definiciones describen el nivel de gravedad de cada palabra de señal. Lea el manual y preste atención a estos símbolos.

▲ PELIGRO: indica una situación de peligro inminente que, si no se evita, provocará la muerte o lesiones graves.

▲ ADVERTENCIA: indica una situación de peligro potencial que, si no se evita, podría provocar la muerte o lesiones graves.

▲ ATENCIÓN: indica una situación de peligro potencial que, si no se evita, posiblemente provocaría lesiones leves o moderadas.

AVISO: se refiere a una práctica no relacionada a lesiones corporales que de no evitarse puede resultar en daños a la propiedad.

SI TIENE ALGUNA DUDA O ALGÚN COMENTARIO SOBRE ÉSTA U OTRA HERRAMIENTA DEWALT, LLÁMENOS AL NÚMERO GRATUITO: 1-800-4-DEWALT (1-800-433-9258).

ADVERTENCIA: Para reducir el riesgo de lesiones, lea el manual de instrucciones.

Advertencias generales de seguridad para herramientas eléctricas

ADVERTENCIA! Lea todas las advertencias de seguridad e instrucciones. El incumplimiento de las advertencias e instrucciones puede provocar descargas eléctricas, incendios o lesiones graves.

CONSERVE TODAS LAS ADVERTENCIAS E INSTRUCCIONES PARA FUTURAS CONSULTAS

El término "herramienta eléctrica" incluido en las advertencias hace referencia a las herramientas eléctricas operadas con corriente (con cable eléctrico) o a las herramientas eléctricas operadas con baterías (inalámbricas).

1) SEGURIDAD EN EL ÁREA DE TRABAJO

- Mantenga el área de trabajo limpia y bien iluminada.** Las áreas abarrotadas y oscuras propician accidentes.
- No opere las herramientas eléctricas en atmósferas explosivas, como ambientes donde haya polvo, gases o líquidos inflamables.** Las herramientas eléctricas originan chispas que pueden encender el polvo o los vapores.
- Mantenga alejados a los niños y a los espectadores de la herramienta eléctrica en funcionamiento.** Las distracciones pueden provocar la pérdida de control.

2) SEGURIDAD ELÉCTRICA

- Los enchufes de la herramienta eléctrica deben adaptarse al tomacorriente. Nunca modifique el enchufe de ninguna manera. No utilice ningún enchufe adaptador con herramientas eléctricas con conexión a tierra.** Los enchufes no modificados y que se adaptan a los tomacorrientes reducirán el riesgo de descarga eléctrica.
- Evite el contacto corporal con superficies con descargas a tierra como, por ejemplo, tuberías, radiadores, cocinas eléctricas y refrigeradores.** Existe mayor riesgo de descarga eléctrica si su cuerpo está puesto a tierra.
- No exponga las herramientas eléctricas a la lluvia o a condiciones de humedad.** Si entra agua a una herramienta eléctrica, aumentará el riesgo de descarga eléctrica.
- No maltrate el cable. Nunca utilice el cable para transportar, tirar o desenchufar la herramienta eléctrica. Mantenga el cable alejado del calor, el aceite, los bordes filosos y las piezas móviles.** Los cables dañados o enredados aumentan el riesgo de descarga eléctrica.
- Al operar una herramienta eléctrica en el exterior, utilice un cable prolongador adecuado para tal uso.** Utilice un cable adecuado para uso en exteriores a fin de reducir el riesgo de descarga eléctrica.
- Si el uso de una herramienta eléctrica en un lugar húmedo es imposible de evitar, utilice un suministro protegido con un interruptor de circuito por falla a tierra (GFCI).** El uso de un GFCI reduce el riesgo de descargas eléctricas.

3) SEGURIDAD PERSONAL

- Permanezca alerta, controle lo que está haciendo y utilice el sentido común cuando emplee una herramienta eléctrica. No utilice una herramienta eléctrica si está cansado o bajo el efecto de drogas, alcohol o medicamentos.** Un momento de descuido mientras se opera una herramienta eléctrica puede provocar lesiones personales graves.
- Utilice equipos de protección personal. Siempre utilice protección para los ojos.** En las condiciones adecuadas, el uso de equipos de protección, como máscaras para polvo, calzado de seguridad antideslizante, cascos o protección auditiva, reducirá las lesiones personales.
- Evite el encendido por accidente. Asegúrese de que el interruptor esté en la posición de apagado antes de conectarlo a la fuente de energía o paquete de baterías, o antes de levantar o transportar la herramienta.** Transportar herramientas eléctricas con el dedo apoyado en el interruptor o enchufar herramientas eléctricas con el interruptor en la posición de encendido puede propiciar accidentes.
- Retire la clavija de ajuste o la llave de tuercas antes de encender la herramienta eléctrica.** Una llave de tuercas o una clavija de ajuste que quede conectada a una pieza giratoria de la herramienta eléctrica puede provocar lesiones personales.
- No se estire. Conserve el equilibrio y párese adecuadamente en todo momento.** Esto permite un mejor control de la herramienta eléctrica en situaciones inesperadas.
- Use la vestimenta adecuada. No use ropas holgadas ni joyas. Mantenga el cabello, la ropa y los guantes alejados de las piezas en movimiento.** Las ropas holgadas, las joyas o el cabello largo pueden quedar atrapados en las piezas en movimiento.
- Si se suministran dispositivos para la conexión de accesorios con fines de recolección y extracción de polvo, asegúrese de que estén conectados y que se utilicen correctamente.** El uso de dispositivos de recolección de polvo puede reducir los peligros relacionados con el polvo.

4) USO Y MANTENIMIENTO DE LA HERRAMIENTA ELÉCTRICA

- No fuerce la herramienta eléctrica. Utilice la herramienta eléctrica correcta para el trabajo que realizará.** Si se la utiliza a la velocidad para la que fue diseñada, la herramienta eléctrica correcta permite trabajar mejor y de manera más segura.
- No utilice la herramienta eléctrica si no puede encenderla o apagarla con el interruptor.** Toda herramienta eléctrica que no pueda ser controlada mediante el interruptor es peligrosa y debe repararse.

- Desconecte el enchufe de la fuente de energía o el paquete de baterías de la herramienta eléctrica antes de realizar ajustes, cambiar accesorios o almacenar la herramienta eléctrica.** Estas medidas de seguridad preventivas reducen el riesgo de encender la herramienta eléctrica en forma accidental.
- Guarde la herramienta eléctrica que no esté en uso fuera del alcance de los niños y no permita que otras personas no familiarizadas con ella o con estas instrucciones operen la herramienta.** Las herramientas eléctricas son peligrosas si son operadas por usuarios no capacitados.
- Realice el mantenimiento de las herramientas eléctricas. Revise que no haya piezas en movimiento mal alineadas o trabadas, piezas rotas o cualquier otra situación que pueda afectar el funcionamiento de la herramienta eléctrica. Si encuentra daños, haga reparar la herramienta eléctrica antes de utilizarla.** Se producen muchos accidentes a causa de las herramientas eléctricas que carecen de un mantenimiento adecuado.
- Mantenga las herramientas de corte afiladas y limpias.** Las herramientas de corte con mantenimiento adecuado y con los bordes de corte afilados son menos propensas a trabarse y son más fáciles de controlar.
- Utilice la herramienta eléctrica, los accesorios y las brocas de la herramienta, etc. de acuerdo con estas instrucciones y teniendo en cuenta las condiciones de trabajo y el trabajo que debe realizarse.** El uso de la herramienta eléctrica para operaciones diferentes de aquéllas para las que fue diseñada podría originar una situación peligrosa.

5) MANTENIMIENTO

- Solicite a una persona calificada en reparaciones que realice el mantenimiento de su herramienta eléctrica y que sólo utilice piezas de repuesto idénticas.** Esto garantizará la seguridad de la herramienta eléctrica.

Instrucciones de seguridad adicionales para martillos de demolición

- Use protectores auditivos.** La exposición al ruido puede ocasionar la pérdida de la audición.
- Use los mangos auxiliares que se suministran con la herramienta.** La pérdida del control podría ocasionar lesiones personales.
- Sostenga la herramienta eléctrica por sus superficies de empuñadura aisladas cuando realice una operación en la cual el accesorio de corte pudiera entrar en contacto con alambrado oculto o con su propio cable.** Si el accesorio de corte entra en contacto con un cable "vivo" puede hacer que las partes metálicas de la herramienta eléctrica queden "vivas" y causar una descarga eléctrica al operador.
- Asegúrese de que el material por taladrar no contenga cableados o tuberías de gas ocultos, cuyas ubicaciones deben haber sido constatadas con las empresas de servicios públicos correspondientes.**
- Sujete la herramienta firmemente en todo momento.** No intente hacer funcionar esta herramienta sin sostenerla con ambas manos. Si intenta hacerla funcionar con una sola mano, podría perder el control de la herramienta. También podría ser peligroso perforar o encontrar materiales duros, como barras de refuerzo. Ajuste firmemente el mango lateral antes de utilizar la herramienta.
- Asegúrese también de que el cincel esté bien colocado.**
- En condiciones climáticas frías o cuando la herramienta no se ha utilizado durante un período largo, deje que funcione sin carga durante algunos minutos antes de usarla.
- Cuando trabaje por encima del nivel del suelo, asegúrese de que el área inferior esté libre.**
- No toque el cincel ni las piezas cercanas a este inmediatamente después de usar la herramienta, ya que podrían estar extremadamente calientes y causarle quemaduras en la piel.**
- Dirija siempre el cable de alimentación hacia la parte trasera, lejos del cincel.**
- No haga funcionar esta herramienta durante períodos prolongados.** La vibración que produce la acción de percusión puede ser perjudicial para las manos y los brazos. Use guantes que provean amortiguación adicional, y tome descansos frecuentes para limitar la exposición.
- Los orificios de ventilación suelen cubrir piezas en movimiento, por lo que también se deben evitar.** Las piezas en movimiento pueden atrapar prendas de vestir sueltas, joyas o el cabello largo.
- El cable de extensión deben ser de un calibre apropiado para su seguridad.** Mientras menor sea el calibre del hilo, mayor la capacidad del cable. Es decir, un hilo calibre 16 tiene mayor capacidad que uno de 18. Un cable de un calibre insuficiente causará una caída en la tensión de la línea dando por resultado una pérdida de energía y sobrecalentamiento. Cuando se utilice más de un alargador para completar el largo total, asegúrese que los hilos de cada alargador tengan el calibre mínimo. La tabla siguiente muestra el tamaño correcto a utilizar, dependiendo de la longitud del cable y del amperaje nominal de la placa de identificación. Si tiene dudas sobre cuál calibre usar, use un calibre mayor. Cuanto más pequeño sea el número del calibre, más resistente será el cable.

Calibre mínimo para cables de alimentación						
Amperaje		Largo total del cordón en metros (pies)				
		120 V	15,2 (50)	30,5 (100)	45,7 (150)	
		240 V	15,2 (50)	30,5 (100)	61,0 (200)	91,4 (300)
Más de	No más de	AWG				
0	6		18	16	16	14
6	10		18	16	14	12
10	12		16	16	14	12
12	16		14	12	No recomendado	

ADVERTENCIA: Use SIEMPRE lentes de seguridad. Los anteojos de diario NO SON lentes de seguridad. Utilice además una cubrebocas o mascarilla antipolvo si la operación de corte genera demasiado polvo. SIEMPRE LLEVE EQUIPO DE SEGURIDAD CERTIFICADO:

- Protección ocular ANSI Z87.1 (CAN/CSA Z94.3),
- Protección auditiva ANSI S12.6 (S3.19),
- Protección respiratoria NIOSH/OSHA/MSHA.

ADVERTENCIA: Algunas partículas de polvo generadas al lijar, serrar, esmerilar y taladrar con herramientas eléctricas, así como al realizar otras actividades de construcción, contienen químicos que el Estado de California sabe que pueden producir cáncer, defectos congénitos u otras afecciones reproductivas. Ejemplos de estos químicos son:

- plomo de algunas pinturas en base a plomo,
- polvo de sílice proveniente de ladrillos y cemento y otros productos de albañilería, y
- arsénico y cromo provenientes de madera tratada químicamente.

Su riesgo de exposición a estos químicos varía, dependiendo de la frecuencia con la cual realiza usted este tipo de trabajo. Para reducir su exposición a estas sustancias químicas: trabaje en una zona bien ventilada y llevando equipos de seguridad aprobados, como mascarillas antipolvo especialmente diseñadas para filtrar partículas microscópicas.

Evite el contacto prolongado con polvo generado por el lijado, aserrado, pulido, taladrado y otras actividades de construcción. Vista ropas protectoras y lave las áreas de la piel expuestas con agua y jabón. Si permite que el polvo se introduzca en la boca u ojos o quede sobre la piel, puede favorecer la absorción de productos químicos peligrosos.

ADVERTENCIA: La utilización de esta herramienta puede generar polvo o dispersarlo, lo que podría causar daños graves y permanentes al sistema respiratorio, así como otras lesiones. Siempre use protección respiratoria aprobada por NIOSH (Instituto Nacional de Seguridad y Salud en el Trabajo) u OSHA (Administración de Seguridad y Salud en el Trabajo) apropiada para la exposición al polvo. Dirija las partículas en dirección contraria a la cara y el cuerpo.

ADVERTENCIA: Siempre lleve la debida protección auditiva personal en conformidad con ANSI S12.6 (S3.19) durante el uso de esta herramienta. Bajo algunas condiciones y duraciones de uso, el ruido producido por este producto puede contribuir a la pérdida auditiva.

La etiqueta de su herramienta puede incluir los siguientes símbolos. A continuación se indican los símbolos y sus definiciones:

V.....volts	A.....amperios
Hz.....hertz	W.....vatios
minminutos	~ o AC.....corriente alterna
== o DC....corriente directa	⎓ o AC/DCcorriente alterna o directa
⚡.....Construcción de Clase I (tierra)	n ovelocidad sin carga
⚡.....Construcción de Clase II (doble aislamiento)	nvelocidad nominal
.../minpor minuto	⊕terminal de conexión a tierra
IPM.....impactos por minuto	▲.....símbolo de advertencia de seguridad
	BPM.....golpes por minuto

*sfp*mpies de superficie por minuto *RPM*revoluciones por minuto

SPMpasadas por minuto

GUARDE ESTAS INSTRUCCIONES PARA VOLVER A CONSULTAR EN EL FUTURO

Motor

Asegúrese de que la fuente de energía concuerde con lo que se indica en la placa. Un descenso en el voltaje de más del 10% producirá una pérdida de potencia y sobrecalentamiento. Todas las herramientas DEWALT son probadas en fábrica; si esta herramienta no funciona, verifique el suministro eléctrico.

COMPONENTES (Fig. 1)

⚠ADVERTENCIA: *Nunca modifique la herramienta eléctrica ni ninguna pieza de ésta. Puede ocasionar un daño o una lesión personal.*

- A.Interruptor de encendido/apagado
- B. Mango trasero
- C. Dial de control electrónico de la energía de impacto (D25902 exclusivamente)
- D. Anillo indicador de la posición del cincel
- E. Manguito/soporte de la herramienta
- F. Mango lateral

USO PREVISTO

Los martillos de demolición para trabajo pesado D25899, D25902 y D25941 están diseñados para aplicaciones profesionales de demolición, cincelado y grabado en hormigón, ladrillos, piedras y otros materiales de mampostería. **NO** use la herramienta en condiciones de humedad o en presencia de gases o líquidos inflamables.

Estos martillos de demolición para trabajo pesado son herramientas eléctricas profesionales. **NO** permita que los niños tengan contacto con la herramienta. Se debe supervisar a los operadores inexpertos que utilizan esta herramienta.

Riesgos residuales

- Incluso si se aplican las normas de seguridad correspondientes y se implementan dispositivos de seguridad, existen ciertos riesgos residuales que no pueden evitarse.*

Estos son:

- Hipoacusia.*
- Riesgo de inhalación de polvo.*
- Riesgo de lesiones personales debido al uso prolongado.*
- Riesgo de quemaduras debido al recalentamiento de accesorios durante el funcionamiento.*

Función de arranque suave

D25902, D25941

La función de arranque suave permite que la velocidad de impacto se acumule más lentamente, lo que evita que el cincel o la punta “rebote” en la mampostería durante el arranque.

Control activo de vibración

D25902, D25941

El control activo de vibración neutraliza la vibración de rebote del mecanismo de percusión. Al reducir la vibración de manos y brazos, permite un uso más cómodo por períodos más prolongados y extiende la vida útil de la unidad.

Dial de control electrónico de la energía de impacto

D25902 EXCLUSIVAMENTE (FIG. 1)

El dial de control electrónico de la energía de impacto (C) brinda el control óptimo de la herramienta, para un cincelado preciso con desprendimientos mínimos al cincelar materiales delicados o frágiles. También permite el uso de accesorios más pequeños sin riesgo de roturas.

MONTAJE Y AJUSTES

⚠ADVERTENCIA: *Para reducir el riesgo de lesiones personales graves, apague la herramienta y desconéctela de la fuente de alimentación antes de instalar y retirar accesorios, ajustar o cambiar configuraciones o realizar reparaciones. Un arranque accidental podría causar lesiones.*

⚠ADVERTENCIA: *Use siempre guantes cuando cambie los accesorios. Las partes metálicas expuestas de la herramienta y los accesorios pueden calentarse excesivamente durante el funcionamiento.*

⚠ADVERTENCIA: *Debido a que no se han probado con este producto otros accesorios que no sean los que ofrece DEWALT, el uso de dichos accesorios podría ser peligroso. Para reducir el riesgo de lesiones, con este producto deben usarse sólo los accesorios DEWALT recomendados.*

ATENCIÓN: *Para reducir la contaminación de polvo en la herramienta, mantenga el polvo y los residuos alejados de la broca y el percutor.*

Inserción y extracción de los accesorios SDS-max®

ATENCIÓN: *Para reducir el riesgo de daños a la herramienta, utilice únicamente accesorios con vástago SDS-max® con los modelos D25899 y D25902.*

D25902 D25899 (FIG. 2, 3)

Esta máquina utiliza cinceles SDS-max® (consulte el recuadro de la figura 3 para ver un corte transversal de un vástago de cincel).

1. Limpie y engrase el vástago de cincel.

⚠ATENCIÓN: *No aplique lubricante a la máquina.*

2. Inserte el vástago de cincel en el manguito/soporte de la herramienta (E). Presione y gire el cincel levemente hasta que el manguito encaje en su posición.
3. Tire del cincel para verificar que esté bien ajustado. La función de percusión requiere que el cincel pueda desplazarse axialmente varios centímetros cuando está ajustado en el soporte de la herramienta.
4. Para retirar un cincel, tire el manguito/soporte de la herramienta hacia atrás (E) y extraiga el cincel del soporte de la herramienta.

Inserción y extracción de accesorios hexagonales de 19 mm

ATENCIÓN: *Para reducir el riesgo de daños a la herramienta, utilice únicamente accesorios de vástago hexagonal de 19 mm (3/4") con el modelo D25941.*

D25941 (FIG. 4, 5)

Esta máquina utiliza cinceles con vástago hexagonal de 19 mm (consulte el recuadro de la figura 5 para ver un corte transversal de un vástago de cincel).

1. Limpie y engrase el vástago de cincel.

⚠ATENCIÓN: *No aplique lubricante a la máquina.*

2. Tire el manguito/soporte de la herramienta hacia atrás (E), alinee la ranura (G) con la marca amarilla (H) e inserte el vástago de cincel en el soporte de la herramienta. Libere el manguito de bloqueo.
3. Tire del cincel para verificar que esté bien ajustado. La función de percusión requiere que el cincel pueda desplazarse axialmente varios centímetros cuando está ajustado en el soporte de la herramienta.
4. Para retirar un cincel, tire el manguito/soporte de la herramienta hacia atrás (E) y extraiga el cincel del soporte de la herramienta.

Ajuste de la posición del cincel (Fig. 6)

El cincel se puede ajustar y bloquear en 12 posiciones diferentes.

1. Inserte el cincel según la descripción anterior.
2. Gire el anillo de posición del cincel (D) en el sentido de la flecha hasta que el cincel alcance la posición deseada.

Configuración del dial de control electrónico de la energía de impacto

D25902 (FIG 1)

Gire el dial (C) hasta el nivel deseado. Cuanto mayor sea el número, mayor será la energía de impacto. Las posiciones del 1 (baja) al 7 (potencia completa) hacen que la herramienta sea extremadamente versátil y adaptable a múltiples aplicaciones diferentes.

La configuración requerida es una cuestión de experiencia, por ejemplo:

- al cincelar materiales delicados y frágiles o cuando se requieran desprendimientos mínimos, configure el dial en 1 ó 2 (baja);
- al quebrar materiales más duros, configure el dial en 7 (potencia completa).

Colocación y ajuste del mango lateral (Fig. 7)

El mango lateral (F) puede montarse en la parte delantera de la máquina y adaptarse a los usuarios diestros y zurdos.

⚠ADVERTENCIA: *Opere siempre la máquina con el mango lateral montado correctamente.*

1. Desenrosque la perilla de sujeción del mango lateral (J).
2. Deslice el conjunto del mango lateral sobre la máquina y ubique el anillo de acero (I) en el área de montaje (X). La posición correcta del mango lateral es entre el cabezal y la parte media del tubo.
3. Ajuste el mango lateral (F) en el ángulo deseado.
4. Deslice y gire el mango lateral hasta la posición deseada.
5. Fije en su sitio la agarradera lateral apretando firmemente la perilla de soporte (J).

Instrucciones de uso

⚠ADVERTENCIA: *Cumpla siempre las instrucciones de seguridad y las normas aplicables.*

⚠ADVERTENCIA: *Conozca la ubicación de las tuberías y el cableado eléctrico.*

⚠ADVERTENCIA: *Aplique una presión aproximada de 20 a 30 kg (44 a 66 lb) a la herramienta. La fuerza excesiva no acelera el cincelado sino que disminuye el rendimiento de la herramienta y puede acortar su vida útil.*

Encendido y apagado (Fig. 1)

Para encender la herramienta, coloque el interruptor de encendido/apagado (A) en la posición 1. Para apagarla, coloque el interruptor de encendido/apagado (A) en la posición 0.

Demolición, grabado y acanalado (Fig. 1)

⚠ADVERTENCIA: *Asegúrese de que el borde de corte no esté decolorado debido a la presión excesiva. Esto puede disminuir la dureza del accesorio.*

Como opción, dispone de diversos tipos de cinceles.

1. Seleccione el cincel adecuado. Limpie y engrase el vástago.
2. Inserte el cincel y verifique que esté bien ajustado.
3. Configure el nivel de energía de impacto deseado.
4. Coloque y ajuste el mango lateral (F) y asegúrese de que esté bien ajustado.
5. Sostenga la herramienta por ambos mangos (B, F) y enciéndala. La herramienta funciona en modo continuo.
6. Cuando termine el trabajo, apague siempre la herramienta antes de desenchufarla

MANTENIMIENTO

⚠ADVERTENCIA: *Para reducir el riesgo de lesiones personales graves, apague la herramienta y desconéctela de la fuente de alimentación antes de instalar y retirar accesorios, ajustar o cambiar configuraciones o realizar reparaciones. Un arranque accidental podría causar lesiones.*

Lubricación

Esta herramienta eléctrica no requiere lubricación adicional.

Limpieza

⚠ADVERTENCIA: *Sople la suciedad y el polvo de todos los conductos de ventilación con aire seco, al menos una vez por semana. Para reducir el riesgo de lesiones, utilice siempre protección para los ojos aprobada ANSI Z87.1 al realizar esta tarea.*

⚠ADVERTENCIA: *Nunca utilice solventes ni otros químicos abrasivos para limpiar las piezas no metálicas de la herramienta. Estos productos químicos pueden debilitar los materiales plásticos utilizados en estas piezas. Utilice un paño humedecido sólo con agua y jabón neutro. Nunca permita que penetre líquido dentro de la herramienta ni sumerja ninguna de las piezas en un líquido.*

Accesorios

⚠ADVERTENCIA: *Debido a que no se han probado con este producto otros accesorios que no sean los que ofrece DEWALT, el uso de dichos accesorios con esta herramienta podría ser peligroso. Para reducir el riesgo de lesiones, con este producto deben usarse sólo los accesorios recomendados por DEWALT.*

Los accesorios que se recomiendan para utilizar con la herramienta están disponibles a un costo adicional en su distribuidor local o en un centro de mantenimiento autorizado. Si necesita ayuda para localizar algún accesorio, póngase en contacto con DEWALT Industrial Tool Co., 701 East Joppa Road, Baltimore, MD 21286, llame al 1-800-4-DEWALT (1-800-433-9258) o visite nuestro sitio Web: www.dewalt.com.

Reparaciones

Para asegurar la SEGURIDAD y la CONFIABILIDAD del producto, las reparaciones, el mantenimiento y los ajustes deben (inclusive inspección y cambio de carbones) ser realizados en un centro de mantenimiento en la fábrica DEWALT, en un centro de mantenimiento autorizado DEWALT u por otro personal de mantenimiento calificado. Utilice siempre piezas de repuesto idénticas.

PARA REPARACIÓN Y SERVICIO DE SUS HERRAMIENTAS ELÉCTRICAS, FAVOR DE DIRIGIRSE AL CENTRO DE SERVICIO MÁS CERCANO

CULIACAN, SIN

Bldv.Emiliano Zapata 5400-1 Poniente
Col. San Rafael (667) 717 89 99

GUADALAJARA, JAL

Av. La Paz #1779 - Col. Americana Sector Juárez (33) 3825 6978

MEXICO, D.F.

Eje Central Lázaro Cárdenas No. 18
Local D, Col. Obrera (55) 5588 9377

MERIDA, YUC

Calle 63 #459-A - Col. Centro (999) 928 5038

MONTERREY, N.L.

Av. Francisco I. Madero 831 Poniente - Col. Centro (818) 375 23 13

PUEBLA, PUE

17 Norte #205 - Col. Centro (222) 246 3714

QUERETARO, QRO

Av. San Roque 274 - Col. San Gregorio (442) 2 17 63 14

SAN LUIS POTOSI, SLP

Av. Universidad 1525 - Col. San Luis (444) 814 2383

TORREON, COAH

Bldv. Independencia, 96 Pte. - Col. Centro (871) 716 5265

VERACRUZ, VER

Prolongación Díaz Mirón #4280 - Col. Remes (229) 921 7016

VILLAHERMOSA, TAB

Constitución 516-A - Col. Centro (993) 312 5111

PARA OTRAS LOCALIDADES:

Si se encuentra en México, por favor llame al (55) 5326 7100

**Si se encuentra en U.S., por favor llame al
1-800-433-9258 (1-800 4-DEWALT)**

Póliza de Garantía

IDENTIFICACIÓN DEL PRODUCTO:

Sello o firma del Distribuidor.

Nombre del producto: _____ Mod./Cat.: _____

Marca: _____ Núm. de serie: _____

(Datos para ser llenados por el distribuidor)

Fecha de compra y/o entrega del producto: _____

Nombre y domicilio del distribuidor donde se adquirió el producto:

Este producto está garantizado por un año a partir de la fecha de entrega, contra cualquier defecto en su funcionamiento, así como en materiales y mano de obra empleados para su fabricación. Nuestra garantía incluye la reparación o reposición del producto y/o componentes sin cargo alguno para el cliente, incluyendo mano de obra, así como los gastos de transportación razonablemente erogados derivados del cumplimiento de este certificado.

Para hacer efectiva esta garantía deberá presentar su herramienta y esta póliza sellada por el establecimiento comercial donde se adquirió el producto, de no contar con ésta, bastará la factura de compra.

EXCEPCIONES

Esta garantía no será válida en los siguientes casos:

- Cuando el producto se hubiese utilizado en condiciones distintas a las normales;

- Cuando el producto no hubiese sido operado de acuerdo con el instructivo de uso que se acompaña;
- Cuando el producto hubiese sido alterado o reparado por personas distintas a las enlistadas al final de este certificado.

Anexo encontrará una relación de sucursales de servicio de fábrica, centros de servicio autorizados y franquiciados en la República Mexicana, donde podrá hacer efectiva su garantía y adquirir partes, refacciones y accesorios originales.

Registro en línea

Gracias por su compra. Registre su producto ahora para:

- **SERVICIO EN GARANTÍA:** Si completa esta tarjeta, podrá obtener un servicio en garantía más eficiente, en caso de que exista un problema con su producto.
- **CONFIRMATCIÓN DE PROPIEDAD:** En caso de una pérdida que cubra el seguro, como un incendio, una inundación o un robo, el registro de propiedad servirá como comprobante de compra.
- **PARA SU SEGURIDAD:** Si registra el producto, podremos comunicarnos con usted en el caso improbable que se deba enviar una notificación de seguridad conforme a la Federal Consumer Safety Act (Ley Federal de Seguridad de Productos para el Consumidor).

Registro en línea en www.dewalt.com/register.

Garantía limitada por tres años

DeWALT reparará, sin cargo, cualquier falla que surja de defectos en el material o la fabricación del producto, por hasta tres años a contar de la fecha de compra. Esta garantía no cubre fallas de las piezas causadas por su desgaste normal o abuso a la herramienta. Para mayores detalles sobre la cobertura de la garantía e información acerca de reparaciones realizadas bajo garantía, visítenos en www.dewalt.com o diríjase al centro de servicio más cercano. Esta garantía no aplica a accesorios o a daños causados por reparaciones realizadas o intentadas por terceros. Esta garantía le otorga derechos legales específicos, además de los cuales puede tener otros dependiendo del estado o la provincia en que se encuentre.

Además de la garantía, las herramientas DeWALT están cubiertas por:

1 AÑO DE SERVICIO GRATUITO

DeWALT mantendrá la herramienta y reemplazará las piezas gastadas por su uso normal, sin cobro, en cualquier momento durante un año a contar de la fecha de compra. Los artículos gastados por la clavadora, tales como la unidad de hoja y retorno del impulsador, no están cubiertas.

GARANTÍA DE REEMBOLSO DE SU DINERO POR 90 DÍAS

Si no está completamente satisfecho con el desempeño de su máquina herramienta, láser o clavadora DeWALT, cualquiera sea el motivo, podrá devolverlo hasta 90 días de la fecha de compra con su recibo y obtener el reembolso completo de su dinero – sin necesidad de responder a ninguna pregunta.

AMÉRICA LATINA: Esta garantía no se aplica a los productos que se venden en América Latina. Para los productos que se venden en América Latina, debe consultar la información de la garantía específica del país que viene en el empaque, llamar a la compañía local o visitar el sitio Web a fin de obtener esa información.

REEMPLAZO GRATUITO DE LAS ETIQUETAS DE ADVERTENCIAS: Si sus etiquetas de advertencia se vuelven ilegibles o faltan, llame al 1-800-4-DeWALT (1-800-433-9258) para que se le reemplacen gratuitamente.

DXXXXX DEMOLITION HAMMER
SER. [REDACTED]
⚠WARNING/ADVERTENCIA/AVERTISSEMENT TO REDUCE THE RISK OF INJURY, USER MUST READ INSTRUCTION MANUAL. ALWAYS USE PROPER EYE, EAR AND RESPIRATORY PROTECTION. LEA EL MANUAL DE INSTRUCCIONES PARA UN FUNCIONAMIENTO SEGURO. SIEMPRE UTILICE PROTECCIÓN ADECUADA PARA LOS OJOS, OÍDOS Y VÍAS RESPIRATORIAS. AFIN DE MINIMISER LES RISQUES DE BLESSURES, LIRE LE GUIDE. TOUJOURS UTILISER UNE PROTECTION OCULAIRE, AUDITIVE ET RESPIRATOIRE ADEQUATE. DEWALT INDUSTRIAL TOOL CO., BALTIMORE, MD 21286 USA FOR SERVICE INFORMATION, CALL 1-800-4-DeWALT www.DeWALT.com

SOLAMENTE PARA PROPÓSITO DE MÉXICO:
 IMPORTADO POR: DeWALT INDUSTRIAL TOOL CO. S.A. DE C.V.
 AVENIDA ANTONIO DOVALI JAIME, # 70 TORRE B PISO 9
 COLONIA LA FE, SANTA FÉ
 CÓDIGO POSTAL : 01210
 DELEGACIÓN ALVARO OBREGÓN
 MÉXICO D.F.
 TEL. (52) 555-326-7100
 R.F.C.: BDE810626-1W7

Para servicio y ventas consulte
"HERRAMIENTAS ELECTRICAS"
 en la sección amarilla.



ESPECIFICACIONES

	D25899	D25902	D25941
Tensión de alimentación	120 V AC ~	120 V AC ~	120 V AC ~
Consumo de corriente:	14 A	14 A	15 A
Frecuencia de alimentación	50-60 Hz	50-60 Hz	50-60 Hz
Potencia nominal	1 500 W	1 550 W	1 600 W
Rotación sin carga	2 040/min	1 050 - 2 100/min	1 620/min