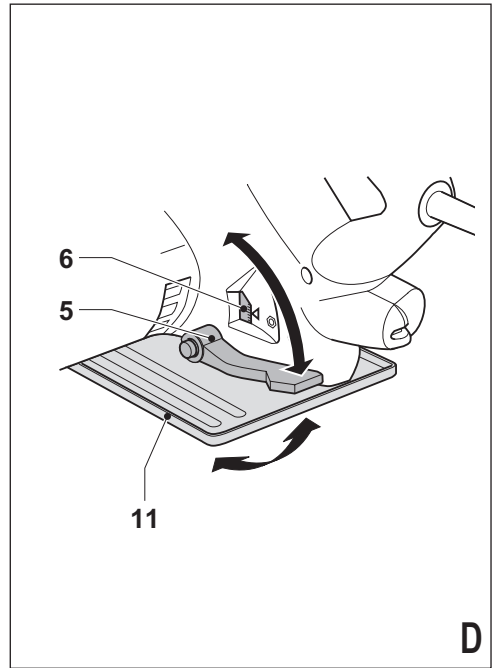
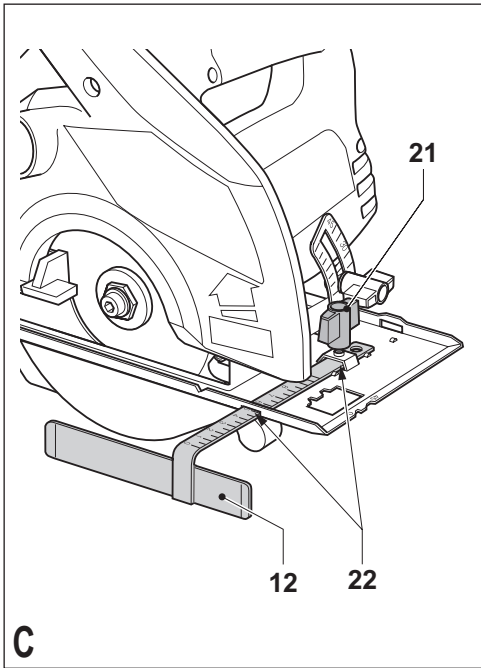
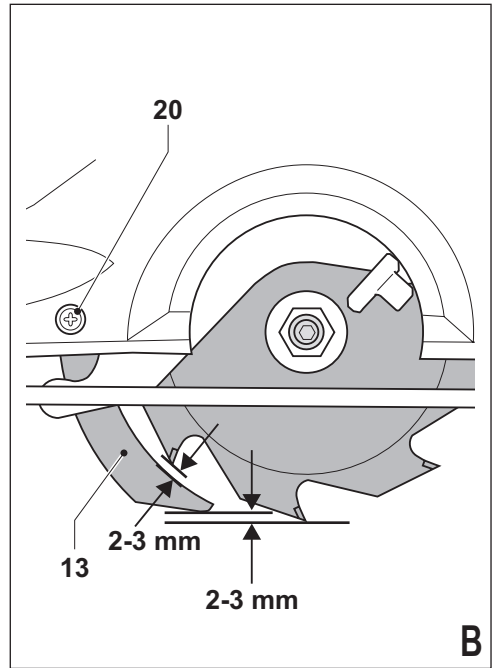
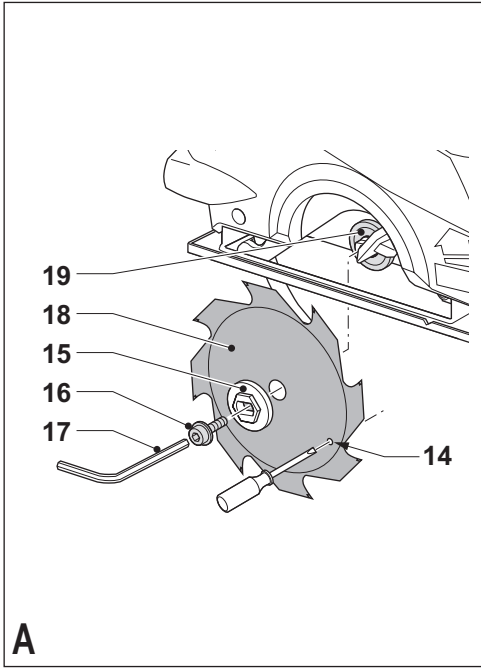
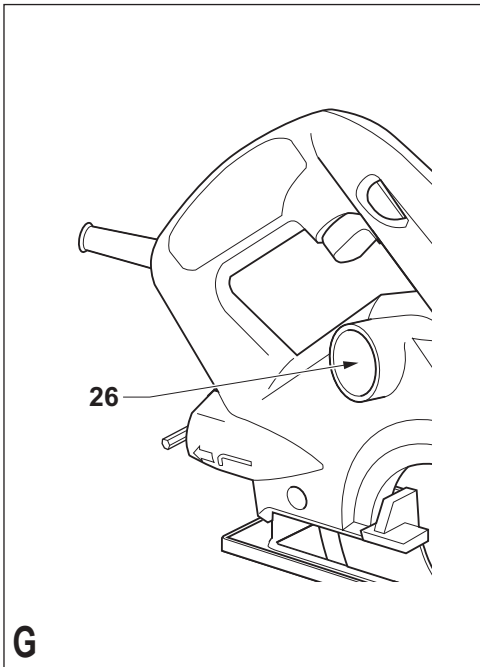
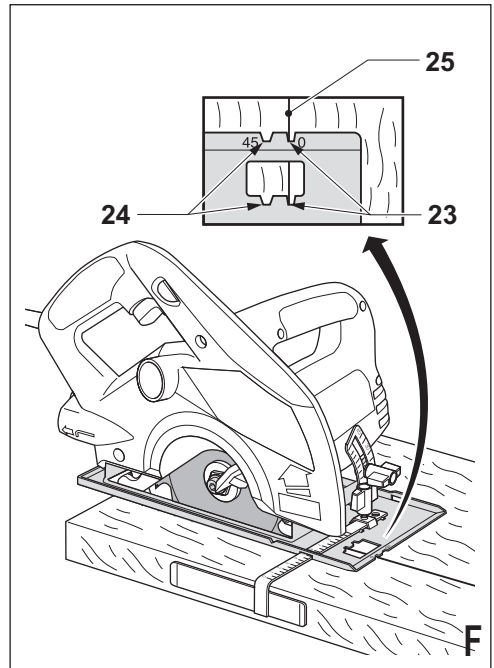
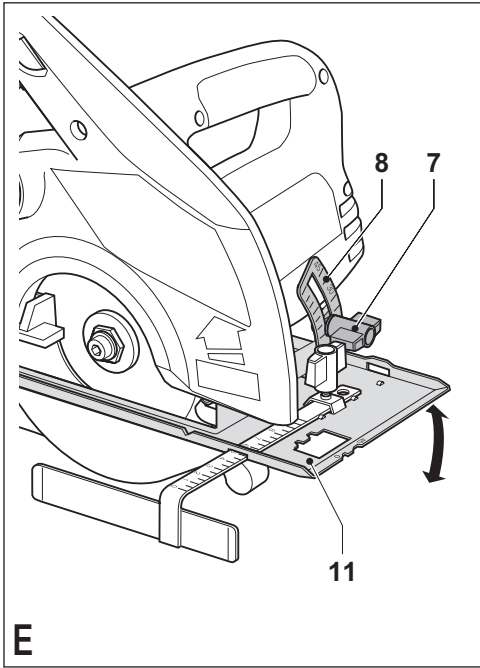


<b>English</b>	<b>(Original instructions)</b>	<b>5</b>
<b>Deutsch</b>	<b>(Übersetzung der Originalanleitung)</b>	<b>12</b>
<b>Français</b>	<b>(Traduction des instructions d'origine)</b>	<b>20</b>
<b>Italiano</b>	<b>(Traduzione delle istruzioni originali)</b>	<b>27</b>
<b>Nederlands</b>	<b>(Vertaling van de originele instructies)</b>	<b>34</b>
<b>Español</b>	<b>(Traducción de las instrucciones originales)</b>	<b>41</b>
<b>Português</b>	<b>(Tradução das instruções originais)</b>	<b>48</b>
<b>Svenska</b>	<b>(Översättning av de ursprungliga anvisningarna)</b>	<b>55</b>
<b>Norsk</b>	<b>(Oversettelse av de opprinnelige instruksjonene)</b>	<b>62</b>
<b>Dansk</b>	<b>(Oversættelse af de originale instruktioner)</b>	<b>68</b>
<b>Suomi</b>	<b>(Alkuperäisten ohjeiden käännös)</b>	<b>75</b>
<b>Ελληνικά</b>	<b>(Μετάφραση των αρχικών οδηγιών)</b>	<b>82</b>





## Intended use

Your Black & Decker saw has been designed for sawing wood and wood products. This tool is intended for consumer use only.

## Safety instructions

### General power tool safety warnings



**Warning! Read all safety warnings and all instructions.** Failure to follow the warnings and instructions listed below may result in electric shock, fire and/or serious injury.

#### Save all warnings and instructions for future reference.

The term "power tool" in all of the warnings listed below refers to your mains operated (corded) power tool or battery operated (cordless) power tool.

1. **Work area safety**
  - a. **Keep work area clean and well lit.** Cluttered or dark areas invite accidents.
  - b. **Do not operate power tools in explosive atmospheres, such as in the presence of flammable liquids, gases or dust.** Power tools create sparks which may ignite the dust or fumes.
  - c. **Keep children and bystanders away while operating a power tool.** Distractions can cause you to lose control.
2. **Electrical safety**
  - a. **Power tool plugs must match the outlet. Never modify the plug in any way. Do not use any adapter plugs with earthed (grounded) power tools.** Unmodified plugs and matching outlets will reduce risk of electric shock.
  - b. **Avoid body contact with earthed or grounded surfaces such as pipes, radiators, ranges and refrigerators.** There is an increased risk of electric shock if your body is earthed or grounded.
  - c. **Do not expose power tools to rain or wet conditions.** Water entering a power tool will increase the risk of electric shock.
  - d. **Do not abuse the cord. Never use the cord for carrying, pulling or unplugging the power tool. Keep cord away from heat, oil, sharp edges or moving parts.** Damaged or entangled cords increase the risk of electric shock.
  - e. **When operating a power tool outdoors, use an extension cord suitable for outdoor use.** Use of a cord suitable for outdoor use reduces the risk of electric shock.
  - f. **If operating a power tool in a damp location is unavoidable, use a residual current device (RCD) protected supply.** Use of an RCD reduces the risk of electric shock.
3. **Personal safety**
  - a. **Stay alert, watch what you are doing and use common sense when operating a power tool. Do not use a power tool while you are tired or under the influence of drugs, alcohol or medication.** A moment of inattention while operating power tools may result in serious personal injury.
  - b. **Use personal protective equipment. Always wear eye protection.** Protective equipment such as dust mask, non-skid safety shoes, hard hat, or hearing protection used for appropriate conditions will reduce personal injuries.
  - c. **Prevent unintentional starting. Ensure the switch is in the off-position before connecting to power source and/or battery pack, picking up or carrying the tool.** Carrying power tools with your finger on the switch or energising power tools that have the switch on invites accidents.
  - d. **Remove any adjusting key or wrench before turning the power tool on.** A wrench or a key left attached to a rotating part of the power tool may result in personal injury.
  - e. **Do not overreach. Keep proper footing and balance at all times.** This enables better control of the power tool in unexpected situations.
  - f. **Dress properly. Do not wear loose clothing or jewellery. Keep your hair, clothing and gloves away from moving parts.** Loose clothes, jewellery or long hair can be caught in moving parts.
  - g. **If devices are provided for the connection of dust extraction and collection facilities, ensure these are connected and properly used.** Use of dust collection can reduce dust-related hazards.
4. **Power tool use and care**
  - a. **Do not force the power tool. Use the correct power tool for your application.** The correct power tool will do the job better and safer at the rate for which it was designed.
  - b. **Do not use the power tool if the switch does not turn it on and off.** Any power tool that cannot be controlled with the switch is dangerous and must be repaired.
  - c. **Disconnect the plug from the power source and/or the battery pack from the power tool before making any adjustments, changing accessories, or storing power tools.** Such preventive safety measures reduce the risk of starting the power tool accidentally.
  - d. **Store idle power tools out of the reach of children and do not allow persons unfamiliar with the power tool or these instructions to operate the power tool.** Power tools are dangerous in the hands of untrained users.
  - e. **Maintain power tools. Check for misalignment or binding of moving parts, breakage of parts and any other condition that may affect the power tools operation. If damaged, have the power tool repaired before use.** Many accidents are caused by poorly maintained power tools.

- f. **Keep cutting tools sharp and clean.** Properly maintained cutting tools with sharp cutting edges are less likely to bind and are easier to control.
- g. **Use the power tool, accessories and tool bits etc. in accordance with these instructions, taking into account the working conditions and the work to be performed.** Use of the power tool for operations different from those intended could result in a hazardous situation.
5. **Service**
- a. **Have your power tool serviced by a qualified repair person using only identical replacement parts.** This will ensure that the safety of the power tool is maintained.

### Additional power tool safety warnings



**Warning!** Additional safety warnings for saws

- a. **Keep hands away from cutting area and the blade. Keep your second hand on auxiliary handle, or motor housing.** If both hands are holding the saw, they cannot be cut by the blade.
- b. **Do not reach underneath the workpiece.** The guard cannot protect you from the blade below the workpiece.
- c. **Adjust the cutting depth to the thickness of the workpiece.** Less than a full tooth of the blade teeth should be visible below the workpiece.
- d. **Never hold piece being cut in your hands or across your leg. Secure the workpiece to a stable platform.** It is important to support the work properly to minimize body exposure, blade binding, or loss of control.
- e. **Hold power tool by insulated gripping surfaces when performing an operation where the cutting tool may contact hidden wiring or its own cord.** Contact with a "live" wire will also make exposed metal parts of the power tool "live" and shock the operator.
- f. **When ripping always use a rip fence or straight edge guide.** This improves the accuracy of cut and reduces the chance of blade binding.
- g. **Always use blades with correct size and shape (diamond versus round) of arbour holes.** Blades that do not match the mounting hardware of the saw will run eccentrically, causing loss of control.
- h. **Never use damaged or incorrect blade washers or bolt.** The blade washers and bolt were specially designed for your saw, for optimum performance and safety of operation.
- Further safety instructions for all saws**
- Causes and operator prevention of kickback:
- ◆ kickback is a sudden reaction to a pinched, bound or misaligned saw blade, causing an uncontrolled saw to lift up and out of the workpiece toward the operator;
  - ◆ when the blade is pinched or bound tightly by the kerf closing down, the blade stalls and the motor reaction drives the unit rapidly back toward the operator;
  - ◆ if the blade becomes twisted or misaligned in the cut, the teeth at the back edge of the blade can dig into the top surface of the wood causing the blade to climb out of the kerf and jump back toward the operator.
- Kickback is the result of saw misuse and/or incorrect operating procedures or conditions and can be avoided by taking proper precautions as given below.
- a. **Maintain a firm grip with both hands on the saw and position your arms to resist kickback forces. Position your body to either side of the blade, but not in line with the blade.** Kickback could cause the saw to jump backwards, but kickback forces can be controlled by the operator, if proper precautions are taken.
- b. **When the blade is binding, or when interrupting a cut for any reason, release the trigger and hold the saw motionless in the material until the blade comes to a complete stop. Never attempt to remove the saw from the work or pull the saw backward while the blade is in motion or kickback may occur.** Investigate and take corrective actions to eliminate the cause of blade binding.
- c. **When restarting a saw in the workpiece, centre the saw blade in the kerf and check that saw teeth are not engaged into the material.** If saw blade is binding, it may walk up or kickback from the workpiece as the saw is restarted.
- d. **Support large panels to minimise the risk of blade pinching and kickback.** Large panels tend to sag under their own weight. Supports must be placed under the panel on both sides, near the line of cut and near the edge of the panel.
- e. **Do not use dull or damaged blades.** Unsharpened or improperly set blades produce narrow kerf causing excessive friction, blade binding and kickback.
- f. **Blade depth and bevel adjusting locking levers must be tight and secure before making cut.** If blade adjustment shifts while cutting, it may cause binding and kickback.
- g. **Use extra caution when making a "plunge cut" into existing walls or other blind areas.** The protruding blade may cut objects that can cause kickback.

### Safety instructions for circular saws with outer or inner pendulum guards and with tow guard

- a. **Check lower guard for proper closing before each use. Do not operate the saw if lower guard does not move freely and close instantly. Never clamp or tie the lower guard into the open position.** If saw is accidentally dropped, lower guard may be bent. Raise the lower guard with the retracting handle and make sure it moves freely and does not touch the blade or any other part, in all angles and depths of cut.
- b. **Check the operation of the lower guard spring. If the guard and the spring are not operating properly, they must be serviced before use.** Lower guard may operate sluggishly due to damaged parts, gummy deposits, or a build-up of debris.
- c. **Lower guard should be retracted manually only for special cuts such as "plunge cuts" and "compound cuts". Raise lower guard by retracting handle and as soon as blade enters the material, the lower guard must be released.** For all other sawing, the lower guard should operate automatically.
- d. **Always observe that the lower guard is covering the blade before placing saw down on bench or floor.** An unprotected, coasting blade will cause the saw to walk backwards, cutting whatever is in its path. Be aware of the time it takes for the blade to stop after switch is released.

### Additional safety instructions for all saws with riving knife

- a. **Use the appropriate riving knife for the blade being used.** For the riving knife to work, it must be thicker than the body of the blade but thinner than the tooth set of the blade.
- b. **Adjust the riving knife as described in this instruction manual.** Incorrect spacing, positioning and alignment can make the riving knife ineffective in preventing kickback.
- c. **Always use the riving knife except when plunge cutting.** Riving knife must be replaced after plunge cutting. Riving knife causes interference during plunge cutting and can create kickback.
- d. **For the riving knife to work, it must be engaged in the workpiece.** The riving knife is ineffective in preventing kickback during short cuts.
- e. **Do not operate the saw if riving knife is bent.** Even a light interference can slow the closing rate of a guard.

### Residual risks

The following risks are inherent to the use of saws:

- Injuries caused by touching the rotating parts.

Even with the application of the relevant safety regulations and the implementation of safety devices, certain residual risks cannot be avoided. These are:

- Impairment of hearing.

- Risk of accidents caused by the uncovered parts of the rotating saw blade.
- Risk of injury when changing the blade.
- Risk of squeezing fingers when opening the guards.
- Health hazards caused by breathing dust developed when sawing wood, especially oak, beech and MDF.

### Saw blades

- ◆ Do not use blades of larger or smaller diameter than recommended. For the proper blade rating refer to the technical data. Use only the blades specified in this manual, complying with EN 847-1.
- ◆ **Warning!** Never use abrasive wheels.

### Safety of others

- ◆ This appliance is not intended for use by persons (including children) with reduced physical, sensory or mental capabilities, or lack of experience and knowledge, unless they have been given supervision or instruction concerning use of the appliance by a person responsible for their safety.
- ◆ Children should be supervised to ensure that they do not play with the appliance.

### Vibration

The declared vibration emission values stated in the technical data and the declaration of conformity have been measured in accordance with a standard test method provided by EN 60745 and may be used for comparing one tool with another. The declared vibration emission value may also be used in a preliminary assessment of exposure.

**Warning!** The vibration emission value during actual use of the power tool can differ from the declared value depending on the ways in which the tool is used. The vibration level may increase above the level stated.

When assessing vibration exposure to determine safety measures required by 2002/44/EC to protect persons regularly using power tools in employment, an estimation of vibration exposure should consider, the actual conditions of use and the way the tool is used, including taking account of all parts of the operating cycle such as the times when the tool is switched off and when it is running idle in addition to the trigger time.

### Labels on tool

The following pictograms are shown on the tool:



**Warning!** To reduce the risk of injury, the user must read the instruction manual.

## Electrical safety



This tool is double insulated; therefore no earth wire is required. Always check that the power supply corresponds to the voltage on the rating plate.

- ◆ If the supply cord is damaged, it must be replaced by the manufacturer or an authorised Black & Decker Service Centre in order to avoid a hazard.

## Features

1. On/off switch
2. Lock-off button
3. Main handle
4. Side handle
5. Depth of cut adjustment lever
6. Depth of cut scale
7. Locking knob for mitre angle adjustment
8. Mitre angle scale
9. Saw blade guard
10. Retracting lever for saw blade guard
11. Saw shoe
12. Parallel fence
13. Riving knife

## Assembly

**Warning!** Before attempting any of the following operations, make sure that the tool is switched off and unplugged and that the saw blade has stopped.

## Removing and fitting a saw blade (fig. A)

### Removing

- ◆ Insert a screwdriver into the hole (14) to prevent the saw blade from rotating. Alternatively, hold the outer washer (15) using an 18 mm spanner.
- ◆ Loosen and remove the blade retaining screw (16) by turning it counterclockwise using the Allen key (17) supplied.
- ◆ Remove the outer washer (15).
- ◆ Remove the saw blade (18).

### Fitting

- ◆ Place the saw blade onto the inner washer (19), making sure that the arrow on the blade points in the same direction as the arrow on the tool.
- ◆ Fit the outer washer (15) on the spindle, with the raised part pointing away from the saw blade.
- ◆ Insert the blade retaining screw (16) into the hole.
- ◆ Insert a screwdriver into the hole (14) to prevent the saw blade from rotating. Alternatively, hold the outer washer (15) using an 18 mm spanner.

- ◆ Securely tighten the blade retaining screw by turning it clockwise using the Allen key (17) supplied.
- ◆ Adjust the riving knife as described below.

## Adjusting the riving knife (fig. B)

The riving knife prevents the saw blade from jamming during rip sawing operations. The riving knife must be adjusted after replacing the saw blade.

- ◆ Loosen the screw (20).
- ◆ Position the riving knife (13) as shown.
  - The distance between the toothed rim and the riving knife should be 2 - 3 mm.
  - The height difference between the toothed rim and the lower end of the riving knife should be 2 - 3 mm.
- ◆ Tighten the screw (20).

## Fitting and removing the parallel fence (fig. E)

The parallel fence is used to saw in a straight line parallel to the edge of the workpiece.

### Fitting

- ◆ Loosen the locking knob (21).
- ◆ Insert the parallel fence (12) through the openings (22).
- ◆ Slide the parallel fence into the desired position.
- ◆ Tighten the locking knob.

### Removing

- ◆ Loosen the locking knob (21).
- ◆ Pull the parallel fence off the tool.

## Use

**Warning!** Let the tool work at its own pace. Do not overload.

This tool can be used in the right hand or the left hand.

**Warning!** Carefully guide the cable in order to avoid accidentally cutting it.

## Adjusting the depth of cut (fig. D)

The depth of cut should be set according to the thickness of the workpiece. It should exceed the thickness by approx. 2 mm.

- ◆ Loosen the knob (5) to unlock the saw shoe.
- ◆ Move the saw shoe (11) into the desired position. The corresponding depth of cut can be read from the scale (6).
- ◆ Tighten the knob to lock the saw shoe in place.

## Adjusting the mitre angle (fig. E)

This tool can be set to mitre angles between 0° and 45°.

- ◆ Loosen the locking knob (7) to unlock the saw shoe.
- ◆ Move the saw shoe (11) into the desired position. The corresponding mitre angle can be read from the scale (8).
- ◆ Tighten the locking knob to lock the saw shoe in place.



## Switching on and off

**Warning!** Make sure that the Allen key is removed from the blade retaining screw before switching on.

### Switching on

- ◆ Keep the lock-off button (2) depressed and press the on/off switch (1).
- ◆ Release the lock-off button.

### Switching off

- ◆ Release the on/off switch.

## Aligning the saw with the cutting line (fig. F)

The saw is equipped with 2 guides for straight cutting (23) and 2 guides for 45° mitre cutting (24).

- ◆ Align the left edge of the guides (23) or (24) with the cutting line (25).

For very accurate cuts:

- ◆ Mark a cutting line on a scrap piece of wood.
- ◆ Align the left edge of the guides (23) or (24) with the cutting line (25).
- ◆ Make a test cut.
- ◆ Depending on the results, adjust the position of the guides relative to the cutting line.

## Dust extraction (fig. G)

An adaptor is required to connect a vacuum cleaner or dust extractor to the tool. The adaptor can be purchased from your local Black & Decker retailer.

- ◆ Insert the dust extraction adaptor into the saw dust outlet (26).
- ◆ Connect the vacuum cleaner hose to the adaptor.

## Hints for optimum use

- ◆ As some splintering along the line of cut on the top side of the workpiece cannot be avoided, cut on the side where splintering is acceptable.
- ◆ Where splintering is to be minimised, e.g. when cutting laminates, clamp a piece of plywood onto the top of the workpiece.

## Accessories

The performance of your tool depends on the accessory used. Black & Decker and Piranha accessories are engineered to high quality standards and designed to enhance the performance of your tool. By using these accessories you will get the very best from your tool.

## Maintenance

Your Black & Decker corded/cordless appliance/tool has been designed to operate over a long period of time with a minimum of maintenance. Continuous satisfactory operation depends upon proper tool care and regular cleaning.

**Warning!** Before performing any maintenance on corded/cordless power tools:

- ◆ Switch off and unplug the appliance/tool.
- ◆ Or switch off and remove the battery from the appliance/tool if the appliance/tool has a separate battery pack.
- ◆ Or run the battery down completely if it is integral and then switch off.
- ◆ Unplug the charger before cleaning it. Your charger does not require any maintenance apart from regular cleaning.
- ◆ Regularly clean the ventilation slots in your appliance/tool/charger using a soft brush or dry cloth.
- ◆ Regularly clean the motor housing using a damp cloth. Do not use any abrasive or solvent-based cleaner.
- ◆ Regularly open the chuck and tap it to remove any dust from the interior (when fitted).

## Mains plug replacement (U.K. & Ireland only)

If a new mains plug needs to be fitted:

- ◆ Safely dispose of the old plug.
- ◆ Connect the brown lead to the live terminal in the new plug.
- ◆ Connect the blue lead to the neutral terminal.

**Warning!** No connection is to be made to the earth terminal. Follow the fitting instructions supplied with good quality plugs. Recommended fuse: 13 A.

## Protecting the environment



Separate collection. This product must not be disposed of with normal household waste.

Should you find one day that your Black & Decker product needs replacement, or if it is of no further use to you, do not dispose of it with household waste. Make this product available for separate collection.



Separate collection of used products and packaging allows materials to be recycled and used again. Re-use of recycled materials helps prevent environmental pollution and reduces the demand for raw materials.

Local regulations may provide for separate collection of electrical products from the household, at municipal waste sites or by the retailer when you purchase a new product.

Black & Decker provides a facility for the collection and recycling of Black & Decker products once they have reached the end of their working life. To take advantage of this service please return your product to any authorised repair agent who will collect them on our behalf.

You can check the location of your nearest authorised repair agent by contacting your local Black & Decker office at the address indicated in this manual. Alternatively, a list of authorised Black & Decker repair agents and full details of our after-sales service and contacts are available on the Internet at: **www.2helpU.com**

**Technical data**

	KS40 TYPE 1
Input voltage	V <sub>AC</sub> 230
Power input	W 710
No-load speed	min <sup>-1</sup> 4,100
Max. depth of cut	mm 40
Blade diameter	mm 140
Blade bore	mm 12.7
Blade tip width	mm 2.4
Weight	kg 2.7

**Level of sound pressure according to EN 60745:**

Sound pressure (L<sub>pa</sub>) 95.2 dB(A), uncertainty (K) 3 dB(A)

Acoustic power (L<sub>WA</sub>) 106.2 dB(A), uncertainty (K) 3 dB(A)

**Vibration total values (triax vector sum) according to EN 60745:**

Vibration emission value (a<sub>v</sub>) 1.359 m/s<sup>2</sup>, uncertainty (K) 1.5 m/s<sup>2</sup>

**EC declaration of conformity**

MACHINERY DIRECTIVE



Black & Decker declares that these products described under "technical data" are in compliance with:  
98/37/EC (until Dec. 28, 2009), 2006/42/EC (from Dec. 29, 2009), EN 60745-1, EN 60745-2-5

For more information, please contact Black & Decker at the following address or refer to the back of the manual.

The undersigned is responsible for compilation of the technical file and makes this declaration on behalf of Black & Decker.

Kevin Hewitt  
Vice-President Global Engineering  
Black & Decker Europe, 210 Bath Road, Slough,  
Berkshire, SL1 3YD  
United Kingdom  
1-10-2009

**Guarantee**

Black & Decker is confident of the quality of its products and offers an outstanding guarantee. This guarantee statement is in addition to and in no way prejudices your statutory rights. The guarantee is valid within the territories of the Member States of the European Union and the European Free Trade Area.

If a Black & Decker product becomes defective due to faulty materials, workmanship or lack of conformity, within 24 months from the date of purchase, Black & Decker guarantees to replace defective parts, repair products subjected to fair wear and tear or replace such products to ensure minimum inconvenience to the customer unless:

- ◆ The product has been used for trade, professional or hire purposes;
- ◆ The product has been subjected to misuse or neglect;
- ◆ The product has sustained damage through foreign objects, substances or accidents;
- ◆ Repairs have been attempted by persons other than authorised repair agents or Black & Decker service staff.

To claim on the guarantee, you will need to submit proof of purchase to the seller or an authorised repair agent. You can check the location of your nearest authorised repair agent by contacting your local Black & Decker office at the address indicated in this manual. Alternatively, a list of authorised Black & Decker repair agents and full details of our after-sales service and contacts are available on the Internet at:

**[www.2helpU.com](http://www.2helpU.com)**

Please visit our website **[www.blackanddecker.co.uk](http://www.blackanddecker.co.uk)** to register your new Black & Decker product and to be kept up to date on new products and special offers. Further information on the Black & Decker brand and our range of products is available at **[www.blackanddecker.co.uk](http://www.blackanddecker.co.uk)**

## Bestimmungsgemäße Verwendung

Ihre Black & Decker Säge wurde zum Sägen von Holz und Holzprodukten entwickelt. Dieses Gerät ist nicht für den gewerblichen Einsatz vorgesehen.

## Sicherheitshinweise

### Allgemeine Warnhinweise zur Sicherheit von Elektrowerkzeugen



**Achtung! Lesen Sie sämtliche Sicherheitswarnhinweise und sonstigen Anweisungen.**

Die Nichteinhaltung der nachstehend aufgeführten Warnhinweise und sonstigen Anweisungen kann einen elektrischen Schlag, Brand und/oder schwere Verletzungen verursachen.

### Bewahren Sie alle Warnhinweise und sonstigen Anweisungen zur künftigen Bezugnahme auf.

Der nachfolgend verwendete Begriff "Gerät" bezieht sich auf netzbetriebene Geräte (mit Netzkabel) und auf akkubetriebene Geräte (ohne Netzkabel).

#### 1. Sicherheit am Arbeitsplatz

- a. **Halten Sie Ihren Arbeitsbereich sauber und gut ausgeleuchtet.** Unordnung und dunkle Arbeitsbereiche fördern Unfälle geradezu heraus.
- b. **Arbeiten Sie mit Geräten nicht in explosionsgefährdeter Umgebung, in der sich brennbare Flüssigkeiten, Gase oder Stäube befinden.** Geräte erzeugen Funken, die den Staub oder die Dämpfe entzünden können.
- c. **Halten Sie Kinder und andere Personen während der Benutzung eines Geräts fern.** Bei Ablenkung können Sie die Kontrolle verlieren.

#### 2. Elektrische Sicherheit

- a. **Der Anschlussstecker des Geräts muß in die Steckdose passen. Der Stecker darf in keiner Weise verändert werden. Verwenden Sie keine Adapterstecker gemeinsam mit schutzgeerdeten Geräten.** Unveränderte Stecker und passende Steckdosen verringern das Risiko eines elektrischen Schlages.
- b. **Vermeiden Sie Körperkontakt mit geerdeten Oberflächen von Rohren, Heizungen, Herden und Kühlschränken.** Es besteht ein erhöhtes Risiko eines elektrischen Schlages, wenn Ihr Körper geerdet ist.
- c. **Halten Sie Geräte von Regen und Nässe fern.** Das Eindringen von Wasser in ein Gerät erhöht das Risiko eines elektrischen Schlages.

- d. **Mißbrauchen Sie nicht das Kabel. Verwenden Sie das Kabel niemals zum Tragen, Ziehen oder Trennen des Gerätes vom Netz. Halten Sie das Kabel fern von Hitze, Öl, scharfen Kanten oder sich bewegenden Teilen.** Beschädigte oder verwickelte Kabel erhöhen das Risiko eines elektrischen Schlages.
- e. **Wenn Sie mit einem Gerät im Freien arbeiten, verwenden Sie nur Verlängerungskabel, die auch für den Außenbereich zugelassen sind.** Die Verwendung eines für den Außenbereich geeigneten Verlängerungskabels verringert das Risiko eines elektrischen Schlages.
- f. **Falls der Betrieb des Elektrowerkzeugs in einer feuchten Umgebung unvermeidbar ist, verwenden Sie einen mit einem Fehlerstromschutzschalter (FI-Schutzschalter) abgesicherten Stromkreis.** Durch die Verwendung eines FI-Schutzschalters wird das Risiko eines Stromschlages verringert.

#### 3. Sicherheit von Personen

- a. **Seien Sie aufmerksam, achten Sie darauf, was Sie tun, und gehen Sie vernünftig mit einem Gerät um. Benutzen Sie das Gerät nicht, wenn Sie müde sind oder unter dem Einfluß von Drogen, Alkohol oder Medikamenten stehen.** Ein Moment der Unachtsamkeit beim Gebrauch von Geräten kann zu ernsthaften Verletzungen führen.
- b. **Tragen Sie persönliche Schutzausrüstung. Tragen Sie immer eine Schutzbrille.** Das Tragen persönlicher Schutzausrüstung, wie Staubmaske, rutschfeste Sicherheitsschuhe, Schutzhelm oder Gehörschutz, je nach Art und Einsatz des Elektrowerkzeuges, verringert das Risiko von Verletzungen.
- c. **Vermeiden Sie eine unbeabsichtigte Inbetriebnahme. Vergewissern Sie sich, dass der Schalter auf der Aus-Stellung steht, bevor Sie den Stecker in die Steckdose stecken und/oder das Akkupaket im Werkzeug stecken, das Werkzeug aufnehmen oder tragen.** Wenn Sie beim Tragen des Elektrowerkzeuges den Finger am Schalter haben oder das Werkzeug eingeschaltet an die Stromversorgung anschließen, kann dies zu Unfällen führen.
- d. **Entfernen Sie Einstell- oder Schraubenschlüssel, bevor Sie das Gerät einschalten.** Ein Schlüssel, der sich in einem sich drehenden Teil befindet, kann zu Verletzungen führen.
- e. **Nicht zu weit nach vorne strecken! Achten Sie auf einen sicheren Stand, um in jeder Arbeitsposition das Gleichgewicht zu halten.** Dadurch können Sie das Gerät in unerwarteten Situationen besser unter Kontrolle halten.
- f. **Tragen Sie geeignete Kleidung. Tragen Sie keine weite Kleidung oder Schmuck. Halten Sie Haare, Kleidung und Handschuhe fern von sich bewegenden Teilen.**

Lockere Kleidung, Schmuck oder lange Haare können von sich bewegenden Teilen erfaßt werden.

- g. Falls Staubabsaug- und -auffangvorrichtungen vorhanden sind, vergewissern Sie sich, daß diese angeschlossen sind und richtig verwendet werden.** Das Verwenden dieser Einrichtungen verringert Gefährdungen durch Staub.
- 4. Gebrauch und Pflege von Geräten**
- a. Überlasten Sie das Gerät nicht. Verwenden Sie für Ihre Arbeit das dafür bestimmte Gerät.** Mit dem passenden Gerät arbeiten Sie besser und sicherer im angegebenen Leistungsbereich.
- b. Benutzen Sie kein Gerät, dessen Schalter defekt ist.** Ein Gerät, das sich nicht mehr ein- oder ausschalten läßt, ist gefährlich und muß repariert werden.
- c. Trennen Sie den Stecker von der Stromquelle und/ oder das Akkupaket vom Elektrowerkzeug, bevor Einstellungen vorgenommen, Zubehör gewechselt oder Elektrowerkzeuge verstaut werden.** Diese Vorsichtsmaßnahmen verhindern den unbeabsichtigten Start des Gerätes.
- d. Bewahren Sie unbenutzte Geräte außerhalb der Reichweite von Kindern auf. Lassen Sie Geräte nicht von Personen benutzen, die damit nicht vertraut sind oder diese Anweisungen nicht gelesen haben.** Geräte sind gefährlich, wenn Sie von unerfahrenen Personen benutzt werden.
- e. Halten Sie Geräte in einem einwandfreien Zustand. Kontrollieren Sie, ob bewegliche Teile falsch ausgerichtet sind oder klemmen und ob Teile gebrochen oder so beschädigt sind, daß die Funktion des Geräts beeinträchtigt ist. Lassen Sie beschädigte Geräte vor dem Gebrauch reparieren.** Viele Unfälle haben ihre Ursache in schlecht gewarteten Geräten.
- f. Halten Sie Schneidgeräte scharf und sauber.** Sorgfältig gepflegte Schneidgeräte mit scharfen Schneidkanten verklemmen sich weniger und sind leichter zu führen.
- g. Verwenden Sie das Elektrowerkzeug, Zubehör sowie Werkzeug-Bits, usw. entsprechend diesen Anweisungen. Berücksichtigen Sie dabei die Arbeitsbedingungen sowie die durchzuführende Arbeit.** Der Gebrauch von Geräten für andere als die vorgesehenen Anwendungen kann zu gefährlichen Situationen führen.
- 5. Service**
- a. Lassen Sie Ihr Gerät nur von qualifiziertem Fachpersonal und nur mit Original-Ersatzteilen reparieren.** Damit wird gewährleistet, daß die Sicherheit des Geräts erhalten bleibt.

## Zusätzliche Warnhinweise zur Sicherheit von Elektrowerkzeugen



**Achtung!** Zusätzliche Sicherheitshinweise für Sägen

- a. Halten Sie Ihre Hände vom Sägebereich und dem Sägeblatt fern. Halten Sie die andere Hand am Zusatzgriff oder dem Motorgehäuse.** Wenn Sie die Säge mit beiden Händen halten, so kann das Sägeblatt keine Verletzungen an den Händen verursachen.
- b. Greifen Sie niemals unter das Werkstück.** Die Schutzvorrichtung kann Sie nicht vor dem Sägeblatt unterhalb des Werkstücks schützen.
- c. Stellen Sie die Schnittiefe auf die Dicke des Werkstücks ein.** Es sollte weniger als ein ganzer Zahn der Sägeblattzähne unter dem Werkstück sichtbar sein.
- d. Halten Sie das zu schneidende Werkstück niemals in den Händen oder auf dem Bein. Sichern Sie das Werkstück auf einer stabilen Plattform.** Es ist wichtig, das Werkstück richtig abzustützen, damit Ihr Körper geschützt wird, das Sägeblatt nicht festklemmt und Sie die Kontrolle behalten.
- e. Halten Sie das Elektrowerkzeug an den isolierten Griffflächen, wenn Arbeiten durchgeführt werden, bei denen das Schneidwerkzeug versteckte Leitungen oder die eigene Anschlußleitung berühren könnte.** Ein Kontakt mit einer spannungsführenden Leitung setzt auch die freiliegenden Metallteile des Elektrowerkzeugs unter Spannung und der Benutzer erleidet einen Stromschlag.
- f. Verwenden Sie bei Längsschnitten stets einen Längsschnitt-Anschlag bzw. eine gerade Kantenführung.** Dadurch wird die Schnittgenauigkeit verbessert und die Gefahr des Festklemmens des Sägeblatts verringert.
- g. Verwenden Sie stets Sägeblätter der richtigen Größe und Form (Diamant kontra rund) der Wellenbohrungen.** Sägeblätter, die nicht zu den Befestigungsteilen der Säge passen, laufen exzentrisch, was zu einem Kontrollverlust führt.
- h. Verwenden Sie niemals beschädigte oder falsche Unterlegscheiben oder einen beschädigten oder falschen Bolzen für das Sägeblatt.** Die Unterlegscheiben und der Bolzen für das Sägeblatt wurden speziell für Ihre Säge konstruiert, so daß eine optimale Leistung und Betriebssicherheit erzielt wird.

## Weitere Sicherheitsanweisungen für alle Sägen

Ursachen von Rückschlägen und deren Verhinderung seitens des Benutzers:

- ◆ Ein Rückschlag ist die plötzliche Reaktion auf ein eingeklemmtes, hängendes oder falsch ausgerichtetes Sägeblatt. Dies führt dazu, daß sich die Säge unkontrolliert nach oben und aus dem Werkstück in Richtung Benutzer herausbewegt.
- ◆ Falls das Sägeblatt eingeklemmt wird oder durch den Schlitz hängen bleibt, so wird das Sägeblatt festgebremst, und durch die Reaktion des Motors wird die Einheit rasch zum Benutzer zurückgeschnellt.
- ◆ Falls das Sägeblatt verdreht oder im Schnitt falsch ausgerichtet wird, so können sich die Zähne an der Hinterkante des Sägeblatts in die Oberfläche des Holzes graben, wodurch das Sägeblatt aus dem Schlitz "herausklettern" und in Richtung Benutzer zurückschnellt.

Ein Rückschlag ist das Resultat eines Mißbrauchs und/oder einer falschen Bedienung der Säge oder falscher Bedingungen und kann durch die entsprechenden unten angegebenen Vorsichtsmaßnahmen vermieden werden.

- a. **Halten Sie die Säge mit beiden Händen sicher fest und halten Sie Ihre Arme so, daß sie den Rückschlagkräften widerstehen können. Positionieren Sie Ihren Körper auf einer der beiden Seiten des Sägeblatts, jedoch nicht in einer Reihe zum Sägeblatt.** Ein Rückschlag kann dazu führen, daß die Säge zurückschnellt; die Rückschlagkräfte können jedoch vom Bediener unter Kontrolle gehalten werden, wenn entsprechende Vorsichtsmaßnahmen getroffen werden.
- b. **Falls das Sägeblatt hängt oder der Schnitt aus irgendeinem anderen Grund unterbrochen wird, lassen Sie den Auslöser los und lassen Sie die Säge bewegungslos im Material, bis das Sägeblatt vollkommen zum Stillstand gekommen ist. Versuchen Sie niemals, das Sägeblatt aus dem Werkstück zu entfernen oder nach hinten zu ziehen, während das Sägeblatt in Bewegung ist, da dies zu einem Rückschlag führen kann.** Untersuchen Sie den Fall und treffen Sie Abhilfemaßnahmen, um die Ursache des Hängens des Sägeblatts zu beseitigen.
- c. **Wird eine Säge im Werkstück wieder in Betrieb genommen, zentrieren Sie das Sägeblatt im Schlitz und vergewissern Sie sich, daß sie Sägeblattzähne nicht in das Material eingreifen.** Hängt das Sägeblatt, so wandert es möglicherweise nach oben oder es findet beim erneuten Einschalten ein Rückschlag aus dem Werkstück statt.

- d. **Stützen Sie große Platten ab, damit das Sägeblatt nicht eingeklemmt wird und kein Rückschlag entsteht.** Große Platten haben die Tendenz, durch ihr Eigengewicht durchzusacken. Unter der Platte in der Nähe der Schnittlinie und in der Nähe der Plattenkante müssen auf beiden Seiten Stützen plaziert werden.
- e. **Verwenden Sie keine stumpfen oder beschädigten Sägeblätter.** Stumpfe oder nicht richtig eingestellte Sägeblätter führen zu einem engen Sägeschlitz, was wiederum zu übermäßiger Reibung, einem Hängen des Sägeblatts und zu Rückschlägen führt.
- f. **Die Sicherungshebel für die Sägeblatttiefe und -neigung müssen fest und gesichert sein, bevor der Schnitt durchgeführt wird.** Falls sich die Einstellung des Sägeblatts während des Schnitts verschiebt, so kann dies zu einem Hängen und Rückschlägen führen.
- g. **Gehen Sie besonders vorsichtig vor, wenn ein "Einstechschnitt" in vorhandene Wände oder andere blinde Bereiche durchgeführt wird.** Das hervorstehende Sägeblatt kann Gegenstände durchtrennen und zu Rückschlägen führen.

## Sicherheitsanweisungen für Kreissägen mit äußerem oder innerem Pendelhubschutz und Schutzvorrichtung

- a. **Vergewissern Sie sich vor jedem Gebrauch, daß die untere Schutzvorrichtung richtig schließt. Betreiben Sie die Säge nicht, falls sich die untere Schutzvorrichtung nicht ungehindert bewegt und sich nicht sofort schließt. Spannen oder binden Sie die untere Schutzvorrichtung niemals in der geöffneten Stellung fest.** Wird die Säge versehentlich fallengelassen, so kann sich die untere Schutzvorrichtung verbiegen. Heben Sie die untere Schutzvorrichtung am Einzugshebel an und vergewissern Sie sich, daß sie sich ungehindert bewegt und nicht das Sägeblatt oder andere Teile berührt. Dies gilt für alle Winkel und Schnitttiefen.
- b. **Überprüfen Sie die Funktion der Feder für die untere Schutzvorrichtung. Falls Schutzvorrichtung und Feder nicht einwandfrei funktionieren, so müssen diese Teile vor dem Gebrauch instandgesetzt werden.** Möglicherweise arbeitet die untere Schutzvorrichtung aufgrund beschädigter Teile, Harzablagerungen oder einer Ansammlung von Spänen schwergängig.
- c. **Die untere Schutzvorrichtung darf nur für Spezialschnitte wie "Einstechschnitte" und "Verbundschnitte" von Hand eingezogen werden. Heben Sie die untere Schutzvorrichtung an, indem Sie den Einzugshebel einfahren, und sobald das Sägeblatt in das Werkstück eintritt, muß die untere Schutzvorrichtung freigegeben werden.** Bei allen anderen Sägearbeiten muß die untere Schutzvorrichtung automatisch arbeiten.

- d. **Achten Sie stets darauf, daß die untere Schutzvorrichtung das Sägeblatt abdeckt, bevor die Säge auf der Werkbank oder dem Boden abgesetzt wird.** Ein ungeschütztes, noch auslaufendes Sägeblatt führt dazu, daß die Säge zurückschnellt und alles durchtrennt, was sich im Sägebereich befindet. Seien Sie sich darüber im Klaren, daß es einige Zeit dauert, bis das Sägeblatt zum Stillstand kommt, nachdem der Schalter losgelassen wurde.

#### Zusätzliche Sicherheitsanweisungen für alle Sägen mit Spaltkeil

- a. **Benutzen Sie für das zu verwendende Sägeblatt den entsprechenden Spaltkeil.** Damit der Spaltkeil richtig funktioniert, muß er dicker als der Körper des Sägeblatts sein, jedoch dünner als der Zahnsatz des Sägeblatts.
- b. **Stellen Sie den Spaltkeil gemäß Beschreibung in dieser Bedienungsanleitung ein.** Ein falscher Abstand, eine falsche Positionierung oder eine falsche Ausrichtung können den Spaltkeil bei der Verhinderung von Rückschlägen unwirksam machen.
- c. **Verwenden Sie stets den Spaltkeil, es sei denn, es handelt sich um Einstechschnitte.** Der Spaltkeil muß nach einem Einstechschnitt wieder angebracht werden. Der Spaltkeil stellt bei Einstechschnitten eine Behinderung dar und kann zu Rückschlägen führen.
- d. **Damit der Spaltkeil richtig funktioniert, muß er in das Werkstück eingreifen.** Bei kurzen Schnitten ist der Spaltkeil zur Verhinderung von Rückschlägen unwirksam.
- e. **Betreiben Sie die Säge nicht, wenn der Spaltkeil verbogen ist.** Selbst eine nur leichte Behinderung kann die Schließgeschwindigkeit einer Schutzvorrichtung verlangsamen.

#### Restrisiken

Beim Gebrauch von Sägen bestehen folgende Risiken:

- Verletzungen durch eine Berührung der sich drehenden Teile.
- Selbst bei Einhaltung der entsprechenden Sicherheitsrichtlinien sowie dem Einsatz von Sicherheitsvorrichtungen lassen sich gewisse Restrisiken nicht vermeiden. Es handelt sich hierbei um:
- Eine Beeinträchtigung des Hörvermögens.
  - Die Gefahr von Unfällen, die durch die nicht abgedeckten Teile des sich drehenden Sägeblatts verursacht werden.
  - Die Gefahr einer Verletzung beim Sägeblattwechsel.
  - Die Gefahr des Einklemmens von Fingern beim Öffnen der Schutzvorrichtungen.
  - Gesundheitsgefahren, die durch das Einatmen von Staub beim Sägen von Holz, insbesondere Eiche, Buche und MDF, verursacht werden.

#### Sägeblätter

- ◆ Verwenden Sie keine Sägeblätter mit einem kleineren oder größeren Durchmesser als empfohlen. Verwenden Sie nur Sägeblätter, die den in den technischen Daten aufgeführten Anforderungen entsprechen. Verwenden Sie nur die in diesem Handbuch spezifizierten Sägeblätter im Einklang mit EN 847-1.
- ◆ **Achtung!** Verwenden Sie niemals Schleif-/Trennscheiben.

#### Sicherheit anderer Personen

- ◆ Dieses Gerät darf nicht von Personen (einschließlich Kindern) mit eingeschränkten körperlichen, sensorischen oder geistigen Fähigkeiten verwendet werden. Auch darf es nicht von Personen verwendet werden, die keine Erfahrung mit dem Gerät oder Kenntnis darüber haben, es sei denn, sie stehen beim Gebrauch unter der Aufsicht und Anleitung einer für deren Sicherheit verantwortlichen Person.
- ◆ Kinder müssen beaufsichtigt werden, um sicherzustellen, daß sie nicht mit dem Gerät spielen.

#### Vibrationen

Die angegebenen Vibrationswerte in den Technischen Daten und der Konformitätserklärung wurden gemäß einer standardisierten und durch EN 60745 festgelegten Prüfmethode gemessen und können herangezogen werden, um ein Werkzeug mit einem anderen zu vergleichen. Der angegebene Vibrationswert kann auch für eine vorläufige Einstufung der Freisetzung herangezogen werden.

**Achtung!** Der Vibrationswert beim eigentlichen Gebrauch des Elektrowerkzeugs kann vom angegebenen Wert abweichen. Dies hängt davon ab, auf welche Weise das Werkzeug verwendet wird. Der Vibrationswert kann über den angegebenen Wert hinaus ansteigen.

Bei der Einstufung der Vibrationen zur Festlegung der von 2002/44/EG geforderten Sicherheitsmaßnahmen zum Schutz von Personen, die beruflich regelmäßig mit Elektrowerkzeugen arbeiten, muß eine Vibrationseinstufung die tatsächlichen Gebrauchsbedingungen und die Art und Weise berücksichtigen, wie das Werkzeug verwendet wird. Auch müssen alle Aspekte des Arbeitszyklus berücksichtigt werden, wie beispielsweise die Zeiten, in denen das Werkzeug aus- und eingeschaltet ist und im Leerlauf läuft.

#### Schilder auf dem Gerät

Es befinden sich folgende Bildzeichen auf dem Gerät:



**Achtung!** Um die Verletzungsgefahr zu verringern, muß der Benutzer die Bedienungsanleitung lesen.

## Elektrische Sicherheit



Dieses Gerät ist schutzisoliert, daher ist keine Erdleitung erforderlich. Überprüfen Sie immer, ob die Netzspannung der auf dem Typenschild des Elektrowerkzeuges angegebenen Spannung entspricht.

- ◆ Falls das Netzkabel beschädigt ist, so ist es vom Hersteller oder einem autorisierten Black & Decker Service Center auszutauschen, um Gefahren vorzubeugen.

## Merkmale

1. Ein-/Aus-Schalter
2. Einschaltperre
3. Haupthandgriff
4. Seitenhandgriff
5. Schnittiefen-Einstellhebel
6. Frästiefenskala
7. Sicherungsknopf für Gehrungswinkeleinstellung
8. Gehrungswinkelskala
9. Sägeblatt-Schutzvorrichtung
10. Einzugshebel für Sägeblatt-Schutzvorrichtung
11. Sägeschuh
12. Parallelanschlag
13. Spaltkeil

## Montage

**Achtung!** Bevor Sie folgende Schritte durchführen, stellen Sie sicher, daß das Gerät ausgeschaltet und vom Netz getrennt ist und daß das Sägeblatt stehengeblieben ist.

## Entfernen und Anbringen eines Sägeblatts (Abb. A)

### Entfernen

- ◆ Stecken Sie einen Schraubendreher in das Loch (14), um zu verhindern, daß sich das Sägeblatt mitdreht. Alternativ hierzu können Sie die äußere Unterlegscheibe (15) mit einem 18 mm-Schraubenschlüssel halten.
- ◆ Lösen und entfernen Sie die Sägeblatt-Sicherungsschraube (16), indem Sie sie mit dem mitgelieferten Innensechskantschlüssel (17) gegen den Uhrzeigersinn drehen.
- ◆ Entfernen Sie die äußere Unterlegscheibe (15).
- ◆ Entfernen Sie das Sägeblatt (18).

### Anbringen

- ◆ Setzen Sie das Sägeblatt auf die innere Unterlegscheibe (19), und stellen Sie dabei sicher, daß der Pfeil auf dem Sägeblatt in die gleiche Richtung zeigt, wie der Pfeil auf dem Gerät.

- ◆ Setzen Sie die äußere Unterlegscheibe (15) mit dem hervorstehenden Teil vom Sägeblatt wegweisend auf die Spindel.
- ◆ Setzen Sie die Sägeblatt-Sicherungsschraube (16) in das Loch.
- ◆ Stecken Sie einen Schraubendreher in das Loch (14), um zu verhindern, daß sich das Sägeblatt mitdreht. Alternativ hierzu können Sie die äußere Unterlegscheibe (15) mit einem 18 mm-Schraubenschlüssel halten.
- ◆ Ziehen Sie die Sägeblatt-Sicherungsschraube sicher fest, indem Sie sie mit dem mitgelieferten Innensechskantschlüssel (17) im Uhrzeigersinn drehen.
- ◆ Stellen Sie den Spaltkeil wie unten beschrieben ein.

## Einstellen des Spaltkeils (Abb. B)

Der Spaltkeil verhindert, daß das Sägeblatt bei Längsschnitten eingeklemmt wird. Der Spaltkeil muß nach dem Austausch des Sägeblatts eingestellt werden.

- ◆ Lösen Sie die Schraube (20).
- ◆ Positionieren Sie den Spaltkeil (13) wie angegeben.
  - Der Abstand zwischen dem Zahnkranz und dem Spaltkeil sollte 2 - 3 mm betragen.
  - Der Höhenunterschied zwischen dem Zahnkranz und dem unteren Ende des Spaltkeils sollte 2 - 3 mm betragen.
- ◆ Ziehen Sie die Schraube (20) an.

## Anbringen und Entfernen des Parallelenschlags (Abb. E)

Der Parallelenschlag wird verwendet, um geradlinig und parallel zur Kante des Werkstücks zu sägen.

### Anbringen

- ◆ Lösen Sie die Sicherungsknopf (21).
- ◆ Stecken Sie den Parallelenschlag (12) durch die Öffnungen (22).
- ◆ Schieben Sie den Parallelenschlag in die gewünschte Position.
- ◆ Ziehen Sie den Sicherungsknopf an.

### Entfernen

- ◆ Lösen Sie die Sicherungsknopf (21).
- ◆ Ziehen Sie den Parallelenschlag aus dem Gerät heraus.

## Gebrauch

**Achtung!** Beschleunigen Sie den Arbeitsvorgang nicht mit Gewalt. Vermeiden Sie eine Überlastung des Gerätes.

Dieses Gerät kann mit der rechten oder mit der linken Hand verwendet werden.

**Achtung!** Führen Sie das Kabel sorgfältig, damit Sie es nicht versehentlich durchschneiden.



### Einstellen der Schnitttiefe (Abb. D)

Die Schnitttiefe sollte entsprechend der Dicke des Werkstücks eingestellt werden. Dabei sollte die Dicke um etwa 2 mm überschritten werden.

- ◆ Lösen Sie den Knopf (5), um den Sägeschuh zu entsichern.
- ◆ Bewegen Sie den Sägeschuh (11) in die gewünschte Position. Die entsprechende Schnitttiefe kann auf der Skala (6) abgelesen werden.
- ◆ Ziehen Sie den Knopf an, um den Sägeschuh in seiner Lage zu sichern.

### Einstellen des Gehrungswinkels (Abb. E)

Dieses Gerät kann auf Gehrungswinkel zwischen 0° und 45° eingestellt werden.

- ◆ Lösen Sie den Sicherungsknopf (7), um den Sägeschuh zu entriegeln.
- ◆ Bewegen Sie den Sägeschuh (11) in die gewünschte Position. Der entsprechende Gehrungswinkel kann auf der Skala (8) abgelesen werden.
- ◆ Ziehen Sie den Sicherungsknopf an, um den Sägeschuh in seiner Lage zu sichern.

### Ein- und Ausschalten

**Achtung!** Stellen Sie vor dem Einschalten sicher, daß der Innensechskantschlüssel von der Sägeblatt-Sicherungsschraube entfernt wurde.

#### Einschalten

- ◆ Halten Sie die Einschaltsperre (2) gedrückt, und drücken Sie auf den Ein-/Ausschalter (1).
- ◆ Lassen Sie die Einschaltsperre los.

#### Ausschalten

- ◆ Lassen Sie den Ein-/Ausschalter los.

### Ausrichten der Säge mit der Schnittlinie (Abb. F)

Die Säge ist mit zwei Führungen für gerade Schnitte (23) und zwei Führungen für 45°-Gehrungsschnitte (24) ausgestattet.

- ◆ Richten Sie die linke Kante der Führungen (23) bzw. (24) mit der Schnittlinie (25) aus.

Für sehr genaue Schnitte:

- ◆ Zeichnen Sie eine Schnittlinie an einem Holzrest an.
- ◆ Richten Sie die linke Kante der Führungen (23) bzw. (24) mit der Schnittlinie (25) aus.
- ◆ Führen Sie einen Probeschnitt durch.
- ◆ Stellen Sie je nach Ergebnis die Lage der Führungen im Verhältnis zur Schnittlinie ein.

### Staubabsaugung (Abb. G)

Um einen Staubsauger oder eine Absaugvorrichtung mit dem Gerät zu verbinden, ist ein Adapter erforderlich. Der Adapter kann von Ihrem örtlichen Black & Decker Händler bezogen werden.

- ◆ Setzen Sie den Staubsauger-Adapter in den Sägemehlauswurf (26).
- ◆ Verbinden Sie den Staubsaugerschlauch mit dem Adapter.

### Hinweise für optimale Arbeitsergebnisse

- ◆ Da ein geringfügiges Splintern entlang der Schnittlinie oben auf dem Werkstück unvermeidbar ist, schneiden Sie auf derjenigen Seite, wo ein Splintern akzeptabel ist.
- ◆ Wo ein Splintern gering gehalten werden muß, z.B. beim Schneiden von Laminat, spannen Sie ein Stück Sperrholz oben auf das Werkstück.

### Zubehör

Die Leistung Ihres Geräts hängt vom verwendeten Zubehör ab. Black & Decker und Piranha Zubehör ist nach hohen Qualitätsnormen gefertigt und dafür ausgelegt, die Leistung Ihres Geräts zu steigern. Durch Verwendung dieses Zubehörs erzielen Sie die größtmögliche Leistung Ihres Geräts.

### Wartung

Ihr netz- oder akkubetriebenes Black & Decker Gerät/ Werkzeug wurde im Hinblick auf eine lange Lebensdauer und einen möglichst geringen Wartungsaufwand entwickelt.

Ein dauerhafter, einwandfreier Betrieb setzt eine regelmäßige Pflege und Reinigung voraus.

**Achtung!** Vor der Durchführung von Wartungsarbeiten an Elektrogeräten/-werkzeugen mit oder ohne Netzleitung:

- ◆ Schalten Sie das Gerät/Werkzeug aus und ziehen Sie den Netzstecker.
- ◆ Oder schalten Sie das Gerät aus und entfernen Sie den Akku aus dem Gerät/Werkzeug, falls das Gerät/Werkzeug einen eigenen Akku hat.
- ◆ Oder lassen Sie den Akku vollkommen leerlaufen, falls dieser im Gerät eingebaut ist. Schalten Sie das Gerät dann aus.
- ◆ Ziehen Sie den Netzstecker des Ladegeräts aus der Steckdose, bevor Sie es reinigen. Ihr Ladegerät bedarf keinerlei Wartung außer einer regelmäßigen Reinigung.
- ◆ Reinigen Sie regelmäßig die Lüftungsschlitze im Gerät/ Werkzeug/Ladegerät mit Hilfe einer weichen Bürste oder eines trockenen Lappens.
- ◆ Reinigen Sie regelmäßig das Motorgehäuse mit Hilfe eines feuchten Lappens. Verwenden Sie keine scheuernden Reinigungsmittel oder Reinigungsmittel auf Lösungsmittelbasis.

- ◆ Reinigen Sie regelmäßig das Spannfutter (falls angebracht), indem Sie es öffnen und durch leichtes Klopfen den Staub aus dem Inneren entfernen.

## Umweltschutz



Getrennte Entsorgung. Dieses Produkt darf nicht über den normalen Hausmüll entsorgt werden.

Sollte Ihr Black & Decker Produkt eines Tages erneuert werden müssen, oder falls Sie es nicht weiter verwenden wollen, so darf es nicht über den Hausmüll entsorgt werden. Stellen Sie dieses Produkt zur getrennten Entsorgung bereit.



Durch die getrennte Entsorgung gebrauchter Produkte und Verpackungen können die Materialien recycelt und wiederverwertet werden. Die Wiederverwertung recycelter Materialien schont die Umwelt und verringert die Nachfrage nach Rohstoffen.

Die regionalen Bestimmungen schreiben unter Umständen die getrennte Entsorgung elektrischer Produkte aus dem Haushalt an Sammelstellen oder seitens des Händlers vor, bei dem Sie das neue Produkt erworben haben.

Black & Decker nimmt Ihre ausgedienten Black & Decker Geräte gern zurück und sorgt für eine umweltfreundliche Entsorgung und Wiederverwertung. Um diesen Dienst zu nutzen, schicken Sie bitte Ihr Produkt zu einer Vertragswerkstatt. Hier wird es dann auf unsere Kosten gesammelt.

Die Adresse der zuständigen Black & Decker Vertretung steht in diesem Handbuch, darüber läßt sich die nächstgelegene Vertragswerkstatt ermitteln. Außerdem ist eine Liste der Vertragswerkstätten und aller Kundendienststellen von Black & Decker sowie der zuständigen Ansprechpartner im Internet zu finden unter: [www.2helpU.com](http://www.2helpU.com)

## Technische Daten

	KS40 TYPE 1
Spannung	$V_{AC}$ 230
Leistungsaufnahme	W 710
Leerlaufdrehzahl	$\text{min}^{-1}$ 4.100
Max. Frästiefe	mm 40
Sägeblattdurchmesser	mm 140
Sägeblattbohrung	mm 12,7
Sägeblattspitzenbreite	mm 2,4
Gewicht	kg 2,7

## Höhe des Schalldrucks gemäß EN 60745:

Schalldruck ( $L_{pA}$ ) 95,2 dB(A), Unsicherheitsfaktor (K) 3 dB(A)

Schalleistung ( $L_{WA}$ ) 106,2 dB(A), Unsicherheitsfaktor (K) 3 dB(A)

## Gesamtvibrationswerte (Triax-Vektorsumme) gemäß EN 60745:

Vibrationswert ( $a_v$ ) 1,359  $\text{m/s}^2$ , Unsicherheitsfaktor (K) 1,5  $\text{m/s}^2$

## EG-Konformitätserklärung

MASCHINENRICHTLINIE



Black & Decker erklärt, daß diese unter "Technische Daten" beschriebenen Produkte folgende Richtlinien erfüllen:  
98/37/EG (bis 28. Dez. 2009), 2006/42/EG  
(ab 29. Dez. 2009), EN 60745-1, EN 60745-2-5

Wenden Sie sich für weitere Informationen bitte an folgende Black & Decker Anschrift bzw. an die hinten im Handbuch angegebene Anschrift.

Der Unterzeichnete ist für die Zusammenstellung der technischen Datei verantwortlich und gibt diese Erklärung im Namen von Black & Decker ab.

Kevin Hewitt

Vice-President Global Engineering

Black & Decker Europe, 210 Bath Road, Slough,

Berkshire, SL1 3YD

Vereinigtes Königreich

1-10-2009

## Garantie

Black & Decker vertraut auf die Qualität der eigenen Geräte und bietet dem Käufer eine außergewöhnliche Garantie. Diese Garantiezusage versteht sich unbeschadet der gesetzlichen Gewährleistungsansprüche und schränkt diese keinesfalls ein. Sie gilt in sämtlichen Mitgliedsstaaten der Europäischen Union und der Europäischen Freihandelszone EFTA.

Tritt innerhalb von 24 Monaten ab Kaufdatum an einem Gerät von Black & Decker ein auf Material- oder Verarbeitungsfehler zurückzuführender Mangel auf, garantiert Black & Decker den Austausch defekter Teile, die Reparatur von Geräten mit üblichem Verschleiß bzw. den Austausch eines mangelhaften Geräts, ohne den Kunden dabei mehr als unbedingt nötig in Anspruch zu nehmen, allerdings vorbehaltlich folgender Ausnahmen:

- ◆ wenn das Gerät gewerblich, beruflich oder im Verleihgeschäft benutzt wurde;
- ◆ wenn das Gerät mißbräuchlich verwendet oder mit mangelnder Sorgfalt behandelt wurde;
- ◆ wenn das Gerät durch irgendwelche Fremdeinwirkung beschädigt wurde;
- ◆ wenn ein unbefugter Reparaturversuch durch anderes Personal als das einer Vertragswerkstatt oder des Black & Decker-Kundendienstes unternommen wurde.

Zur Inanspruchnahme dieser Garantie ist dem Verkäufer bzw. der Vertragswerkstatt ein Kaufnachweis vorzulegen. Der Kaufnachweis muß Kaufdatum und Gerätetyp bescheinigen. Die Adresse des zuständigen Büros von Black & Decker steht in dieser Anleitung, darüber läßt sich die nächstgelegene Vertragswerkstatt ermitteln. Außerdem ist eine Liste der Vertragswerkstätten und aller Kundendienststellen von Black & Decker sowie der zuständigen Ansprechpartner im Internet zu finden unter: **[www.2helpU.com](http://www.2helpU.com)**

Bitte besuchen Sie unsere Webseite **[www.blackanddecker.de](http://www.blackanddecker.de)**, um Ihr neues Black & Decker Produkt zu registrieren und über neue Produkte und Sonderangebote aktuell informiert zu werden. Weitere Informationen über die Marke Black & Decker und unsere Produkte finden Sie unter **[www.blackanddecker.de](http://www.blackanddecker.de)**

## Utilisation prévue

Votre scie Black & Decker a été conçue pour scier le bois et les produits en bois. Cet outil a été conçu pour une utilisation exclusivement domestique.

## Instructions de sécurité

### Consignes de sécurité générales pour les outils électriques



**Attention ! Prenez connaissance de tous les avertissements de sécurité et de toutes les instructions.** Le non-respect des avertissements et des instructions indiqués ci-dessous peut entraîner une électrocution, un incendie ou de graves blessures.

**Conservez tous les avertissements et instructions pour référence future.** La notion d' "outil électroportatif" mentionnée par la suite se rapporte à des outils électriques raccordés au secteur (avec câble de raccordement) ou fonctionnant sur piles (sans fil).

1. **Sécurité de la zone de travail**
  - a. **Maintenez la zone de travail propre et bien éclairée.**  
Un lieu de travail en désordre ou mal éclairé augmente le risque d'accidents.
  - b. **N'utilisez pas les outils électroportatifs dans un environnement présentant des risques d'explosion ni en présence de liquides, gaz ou poussières inflammables.** Les outils électroportatifs génèrent des étincelles risquant d'enflammer les poussières ou les vapeurs.
  - c. **Tenez les enfants et autres personnes éloignés durant l'utilisation de l'outil électroportatif.** En cas d'inattention, vous risquez de perdre le contrôle sur l'outil.
2. **Sécurité électrique**
  - a. **La fiche de secteur de l'outil électroportatif doit convenir à la prise de courant. Ne modifiez en aucun cas la fiche. N'utilisez pas de fiches d'adaptateur avec des outils ayant une prise de terre.** Les fiches non modifiées et les prises de courant appropriées réduisent le risque d'électrocution.
  - b. **Évitez le contact physique avec des surfaces mises à la terre telles que tuyaux, radiateurs, fours et réfrigérateurs.** Il y a un risque élevé d'électrocution si votre corps est relié à la terre.
  - c. **N'exposez pas l'outil électroportatif à la pluie ni à l'humidité.** La pénétration d'eau dans un outil électroportatif augmente le risque d'électrocution.
  - d. **Préservez le câble d'alimentation. N'utilisez pas le câble à d'autres fins que celles prévues, notamment pour porter l'outil, l'accrocher voire le débrancher de la prise de courant. Maintenez le câble éloigné des sources de chaleur, des parties grasses, des bords tranchants ou des parties de l'outil en rotation.** Un câble endommagé ou enchevêtré augmente le risque d'électrocution.
  - e. **Si vous utilisez l'outil électroportatif à l'extérieur, utilisez une rallonge homologuée pour utilisation à l'air libre.** L'utilisation d'une rallonge électrique homologuée pour les applications extérieures réduit le risque d'électrocution.
  - f. **Si l'usage d'un outil dans un emplacement humide est inévitable, utilisez une alimentation protégée par un dispositif à courant différentiel résiduel (RCD).** L'usage d'un RCD réduit le risque de choc électrique.
3. **Sécurité personnelle**
  - a. **Restez vigilant, surveillez ce que vous faites. Faites preuve de bon sens quand vous utilisez l'outil électroportatif. N'utilisez pas l'outil lorsque vous êtes fatigué ou après avoir consommé de l'alcool, des drogues voire des médicaments.** Un moment d'inattention lors de l'utilisation de l'outil peut entraîner de graves blessures.
  - b. **Utilisez un équipement de protection personnelle. Portez toujours une protection pour les yeux.** Les équipements de protection personnelle tels que les masques anti-poussières, chaussures de sécurité antidérapantes, casques ou protections acoustiques utilisés dans des conditions appropriées réduisent les blessures.
  - c. **Évitez toute mise en marche involontaire. Vérifiez que l'interrupteur est en position arrêté avant de brancher l'outil au secteur ou au bloc de batteries, de le prendre ou de le porter.** Transporter les outils en avec le doigt sur l'interrupteur ou les brancher avec l'interrupteur en position de marche est une source d'accidents.
  - d. **Enlevez tout outil ou clé de réglage avant de mettre l'outil en marche.** Une clé ou un outil se trouvant sur une partie en rotation peut causer des blessures.
  - e. **Adoptez une position confortable. Adoptez une position stable et gardez votre équilibre à tout moment.** Vous contrôlerez mieux l'outil dans des situations inattendues.
  - f. **Portez des vêtements appropriés. Ne portez pas de vêtements flottants ou de bijoux. N'approchez pas les cheveux, vêtements ou gants des parties des pièces mobiles.** Les vêtements amples, les bijoux ou les cheveux longs peuvent être attrapés dans les pièces en mouvement.

- g. Si des dispositifs servant à aspirer ou à recueillir les poussières doivent être utilisés, vérifiez qu'ils sont correctement raccordés et utilisés. Le fait d'aspirer la poussière permet de réduire les risques inhérents à la poussière.
4. Utilisation des outils électroportatifs et précautions
- a. Ne surchargez pas l'outil. Utilisez l'outil électroportatif approprié pour le travail à effectuer. Avec l'outil électroportatif approprié, vous travaillerez mieux et avec plus de sécurité à la vitesse pour laquelle il a été conçu.
- b. N'utilisez pas un outil électroportatif dont l'interrupteur est défectueux. Un outil électroportatif qui ne peut plus être mis en ou hors fonctionnement est dangereux et doit être réparé.
- c. Déconnectez la prise de la source d'alimentation ou le pack-batterie de l'outil électrique avant tout réglage, changement d'accessoire voire rangement des outils électriques. Cette mesure de précaution empêche une mise en marche par mégarde.
- d. Rangez les outils électroportatifs hors de portée des enfants. Ne laissez pas les personnes n'étant pas familiarisées avec l'outil ou n'ayant pas lu ces instructions l'utiliser. Les outils électroportatifs sont dangereux lorsqu'ils sont utilisés par des personnes non initiées.
- e. Prenez soin des outils électroportatifs. Vérifiez que les parties en mouvement fonctionnent correctement et qu'elles ne sont pas coincées ; vérifiez qu'il n'y a pas de pièces cassées ou endommagées susceptibles de nuire au bon fonctionnement de l'outil. S'il est endommagé, faites réparer l'outil avant de l'utiliser. De nombreux accidents sont dus à des outils électroportatifs mal entretenus.
- f. Maintenez les outils de coupe aiguisés et propres. Des outils soigneusement entretenus avec des bords tranchants bien aiguisés se coincent moins souvent et peuvent être guidés plus facilement.
- g. Utilisez l'outil électrique, les accessoires et forets, etc. conformément à ces instructions, en tenant compte des conditions de travail et des tâches à effectuer. L'utilisation des outils électroportatifs à d'autres fins que celles prévues peut entraîner des situations dangereuses.
5. Réparations
- a. Faites réparer votre outil électroportatif uniquement par du personnel qualifié et seulement avec des pièces de rechange d'origine. Cela garantira le maintien de la sécurité de votre outil.

## Avertissements de sécurité additionnels pour les outils électriques



**Attention !** Avertissements de sécurité supplémentaires pour les scies

- a. Gardez les mains à distance de la zone de sciage et de la lame de scie. Tenez la poignée supplémentaire ou le carter du moteur de l'autre main. Si vous tenez la scie circulaire des deux mains, celles-ci ne peuvent pas être blessées par la lame de scie.
- b. Ne passez pas les mains sous la pièce à travailler. Sous la pièce à travailler, le carter de protection ne peut pas vous protéger de la lame de scie.
- c. Réglez la profondeur de coupe selon l'épaisseur de la pièce à ouvrir. La partie inférieure de la pièce à ouvrir doit laisser voir moins d'une dent complète de la lame de scie.
- d. Ne tenez jamais la pièce à scier dans la main ou sur la jambe. Fixez la pièce sur un support stable. Il est important que la pièce soit correctement soutenue afin de minimiser les risques de blessures corporelles, lorsque la scie se coince ou en cas de perte de contrôle.
- e. Tenez l'outil électrique uniquement par les surfaces isolées des poignées si l'opération effectuée peut mettre la lame en contact avec des câbles électriques cachés ou son propre cordon électrique. Le contact avec un câble sous tension met les parties métalliques de l'outil électrique sous tension et peut provoquer une électrocution de l'utilisateur.
- f. Utilisez toujours une butée ou un guidage droit de bords pour des coupes longitudinales. Ceci améliore la précision de la coupe et réduit le danger de voir la lame de scie se coincer.
- g. Utilisez toujours des lames de scie de taille et de forme adaptées à l'alésage de fixation (par ex. en étoile ou rond). Les lames de scie inadaptées au matériel de montage de la scie risquent de s'excentrer, occasionnant une perte de contrôle.
- h. N'utilisez jamais de rondelles ou de boulons endommagés voire inadaptés à la lame de scie. Les rondelles et boulons de la lame de scie ont été spécialement conçus pour votre scie, pour une performance et une sécurité de fonctionnement optimales.

### Instructions de sécurité additionnelles pour toutes les scies

Causes de contrecoups et comment les éviter:

- ◆ le contrecoup est une réaction soudaine d'une lame de scie restée accrochée, coincée ou mal orientée. La scie qui n'est plus sous contrôle sort de la pièce à ouvrir et est projetée vers l'utilisateur ;

- ◆ si la lame de scie reste accrochée ou coincée dans la fente sciée qui se ferme, elle se bloque et la force du moteur ramène l'outil rapidement vers l'utilisateur ;
- ◆ si la lame de scie est tordue ou mal orientée dans le tracé de la coupe, les dents du bord arrière de la lame de scie risquent de se coincer dans la surface de la pièce. De ce fait, la lame de scie saute brusquement de la fente et est propulsée en arrière sur l'utilisateur.

Le contrecoup est le résultat d'une utilisation inappropriée de la scie voire de procédures ou de conditions d'utilisation incorrectes. Il peut être évité en appliquant les précautions adéquates, décrites ci-dessous.

- a. **Maintenez fermement la scie des deux mains et positionnez vos bras de sorte à pouvoir résister aux contrecoups. Positionnez toujours votre corps d'un côté ou de l'autre de la lame de scie. Ne vous placez jamais dans l'alignement de la lame.** En cas de contrecoup, la scie circulaire risque d'être propulsée vers l'arrière. Cependant l'utilisateur peut contrôler les forces de contrecoup en respectant les précautions adéquates.
- b. **Si la lame de scie se coince ou que le sciage est interrompu pour une raison quelconque, lâchez l'interrupteur Marche/Arrêt et maintenez la scie immobile dans la pièce jusqu'à son arrêt total. N'essayez jamais de sortir la scie de la pièce ou de la tirer en arrière tant que la lame de scie n'est pas immobile ou qu'un contrecoup reste possible.** Déterminez pourquoi la scie s'est coincée et corrigez le problème.
- c. **Pour redémarrer une scie coincée dans une pièce, centrez la lame de scie dans la fente et vérifiez que ses dents ne sont pas engagées dans la pièce.** Si la lame de scie est coincée, elle peut sortir de la pièce ou causer un contrecoup si la scie est remise en marche.
- d. **Soutenez les grands panneaux afin de minimiser le risque de contrecoup causé par une lame de scie coincée.** Les grands panneaux risquent de s'arquer sous leur propre poids. Les panneaux doivent être soutenus des deux côtés par des supports, près de la fente de scie ainsi qu'aux bords des panneaux.
- e. **N'utilisez pas de lames de scie émoussées ou endommagées.** Les lames de scie dont les dents sont émoussées ou mal orientées produisent une fente trop étroite générant une friction élevée, augmentant le risque de voir la lame se coincer et provoquer un contrecoup.
- f. **Les leviers de blocage des réglages de la profondeur et de l'angle de coupe doivent être bien serrés et verrouillés avant de scier.** Si les réglages se modifient pendant le sciage, la lame de scie risque de se coincer et de provoquer un contrecoup.

- g. **Faites preuve d'une prudence particulière pour effectuer une "coupe en plongée" dans les murs préexistants ou autres parties non apparentes.**

La partie saillante de la lame peut couper des objets susceptibles de provoquer un contrecoup.

**Instructions de sécurité pour les scies circulaires avec des carters de protection pendulaires extérieur ou intérieur et avec un carter de protection arrière**

- a. **Contrôlez avant chaque utilisation la fermeture correcte du carter inférieur de protection. N'utilisez pas la scie si le carter inférieur de protection ne bouge pas librement et ne se ferme pas instantanément. Ne fixez et n'attachez jamais le carter inférieur de protection pour le laisser en position ouverte.** Si, par mégarde, la scie tombe par terre, le carter inférieur de protection risque d'être déformé. Levez le carter de protection avec la poignée rétractable, assurez-vous qu'il peut bouger librement et ne touche ni la lame de scie ni d'autres éléments de l'appareil, quel que soit l'angle ou la profondeur de coupe.
- b. **Contrôlez le bon fonctionnement du ressort du carter inférieur de protection. Si le carter de protection et le ressort ne fonctionnent pas correctement, faites effectuer un entretien de l'appareil avant de l'utiliser.** Des pièces endommagées, restes de colle ou accumulations de débris peuvent ralentir l'actionnement du carter inférieur de protection.
- c. **Ouvrez le carter inférieur de protection manuellement uniquement pour des coupes spéciales, ainsi les "coupes en plongée" ou les "coupes angulaires". Ouvrez le carter inférieur de protection en rétractant la poignée et libérez-le dès que la lame de scie est entrée dans la pièce.** Pour toutes les autres opérations de sciage, le carter inférieur de protection doit fonctionner automatiquement.
- d. **Ne placez jamais la scie sur l'établi ou au sol si le carter inférieur de protection ne couvre pas la lame de scie.** Une lame de scie sans protection et encore en mouvement ramène la scie en arrière, sciant tout sur son passage. Tenez compte du temps nécessaire à la scie pour ralentir.

**Instructions de sécurité additionnelles pour toutes les scies avec refendeur**

- a. **Utilisez le refendeur adapté à la lame de scie montée.** Le refendeur doit être plus épais que le corps de la lame mais plus fin qu'une de ses dents.
- b. **Réglez le refendeur conformément aux instructions de ce manuel.** Un espacement, un positionnement et un alignement incorrects peuvent rendre le refendeur incapable d'empêcher un contrecoup.

- c. **Utilisez toujours le refendeur sauf pour les coupes en plongée.** Le refendeur doit être remplacé après une coupe en plongée. Le refendeur gêne les coupes en plongées et risque de provoquer un contrecoup.
- d. **Le refendeur doit être engagé dans la pièce à ouvrir pour fonctionner correctement.** Le refendeur ne peut empêcher les contrecoups pour les coupes courtes.
- e. **N'utilisez pas la scie si le refendeur est déformé.** La moindre déformation peut ralentir la fermeture du carter de protection.

### Risques résiduels

Les risques suivants sont inhérents à l'utilisation des scies :

- Blessures au contact des pièces en rotation
- Malgré l'application des règles de sécurité adéquates et la mise en place des dispositifs de sécurité, certains risques résiduels ne peuvent être évités. Il s'agit de :
- Diminution de l'acuité auditive.
  - Risque d'accidents provoqués par des parties non protégées de la lame de scie en rotation.
  - Risque de blessure lors du changement de lame.
  - Risque de pincement des doigts à l'ouverture des carters de protection.
  - Risques pour la santé provoqués par la respiration de poussières dégagées lors du sciage du bois, en particulier du chêne, du hêtre et du MDF.

### Lames de scie

- ◆ N'utilisez pas de lames de diamètres plus élevés ou plus faibles que ceux recommandés. Référez-vous aux données techniques pour obtenir les caractéristiques appropriées des lames. Utilisez uniquement les lames indiquées dans ce manuel, conformes à la norme EN 847-1.
- ◆ **Attention !** N'utilisez jamais de disques abrasifs.

### Sécurité des tiers

- ◆ Cet appareil n'est pas destiné à être utilisé par des personnes (notamment des enfants) présentant des capacités physiques, sensorielles ou mentales limitées voire dépourvues de connaissance et d'expérience, sauf si elles sont supervisées ou ont reçu des instructions pour l'usage de l'appareil par une personne responsable de leur sécurité.
- ◆ Les enfants ne doivent pas jouer avec l'appareil.

### Vibration

Les valeurs des émissions de vibrations mentionnées dans les données techniques et la déclaration de conformité ont été mesurées conformément à la méthode de test normalisée indiquée par EN 60745 et permettent les comparaisons entre outils.

Les valeurs des émissions de vibrations peuvent également servir à une évaluation préliminaire de l'exposition.

**Attention !** Les valeurs des émissions de vibrations en utilisant réellement l'outil peuvent différer des valeurs déclarées en fonction du mode d'usage de l'outil. Le niveau de vibration peut dépasser le niveau indiqué.

Pour évaluer l'exposition aux vibrations afin de déterminer les mesures de sécurité imposées par 2002/44/CE pour protéger les personnes utilisant régulièrement des outils électriques, une estimation de l'exposition aux vibrations devrait prendre en compte les conditions réelles et le mode d'utilisation de l'outil, notamment l'ensemble du cycle de fonctionnement ainsi l'arrêt de l'outil et son fonctionnement au ralenti, outre le démarrage.

### Étiquettes apposées sur l'outil

Les pictogrammes suivants sont présents sur l'outil :



**Attention !** Afin de réduire les risques de blessures, l'utilisateur doit lire le manuel d'instructions.

### Sécurité électrique



L'outil est doublement isolé ; par conséquent, aucun câble de masse n'est nécessaire. Vérifiez si le voltage mentionné sur la plaque signalétique de la machine correspond bien à la tension de secteur présente sur lieu.

- ◆ Si le câble d'alimentation est endommagé, il doit être remplacé par le fabricant ou par un centre de réparation agréé Black & Decker afin d'éviter tout accident.

### Caractéristiques

1. Interrupteur marche/arrêt
2. Bouton de blocage
3. Poignée principale
4. Poignée latérale
5. Manette de réglage de coupe
6. Profondeur d'échelle de coupe
7. Bouton de blocage pour angle à onglet
8. Echelle d'angle à onglet
9. Carter de protection de lame
10. Manette de rétraction de la protection de la lame de scie
11. Patin de la scie
12. Guide parallèle
13. Refendeur

## Montage

**Attention !** Avant d'effectuer l'une des opérations suivantes, assurez-vous que l'outil est bien éteint et débranché et que la lame a cessé de tourner.

### Retrait et pose d'une lame de scie (fig. A)

#### Retrait

- ◆ Insérez un tournevis dans l'orifice (14) pour empêcher la lame de scie de tourner. Puis retenez la rondelle extérieure (15) à l'aide d'une clé de 18 mm.
- ◆ Dévissez et enlevez la vis de fixation de la lame (16) en la faisant tourner dans le sens inverse des aiguilles d'une montre à l'aide de la clé Allen fournie (17).
- ◆ Enlevez la rondelle extérieure (15).
- ◆ Démontez la lame de scie (18).

#### Installation

- ◆ Placez la lame de scie sur la rondelle intérieure (19), en vérifiant que la flèche figurant sur la lame est bien pointée dans la même direction que la flèche de l'outil.
- ◆ Installez la rondelle extérieure (15) sur l'arbre, avec la partie élevée pointant dans la direction opposée à la lame de scie.
- ◆ Insérez la vis de fixation de la lame (16) dans l'orifice.
- ◆ Insérez un tournevis dans l'orifice (14) pour empêcher la lame de scie de tourner. Puis retenez la rondelle extérieure (15) à l'aide d'une clé de 18 mm.
- ◆ Vissez la vis de fixation de la lame en la faisant tourner dans le sens inverse des aiguilles d'une montre à l'aide de la clé Allen fournie (17).
- ◆ Réglez le refendeur comme indiqué ci-dessous.

### Réglage du refendeur (fig. B)

Le refendeur empêche la lame de scie de se coincer pendant les opérations de coupe en longueur. Le refendeur doit être réglé après le remplacement de la lame de scie.

- ◆ Desserrez la vis (20).
- ◆ Positionnez le refendeur (13) comme sur la figure.
  - La distance entre les dents de la lame et le refendeur doit être de 2 - 3 mm.
  - La différence de hauteur entre les dents de la lame et l'extrémité inférieure du refendeur doit être de 2 - 3 mm.
- ◆ Serrez la vis (20).

### Installation et démontage du guide parallèle (fig. E)

Le guide parallèle est utilisé pour scier en ligne droite parallèlement aux bords de la pièce à scier.

#### Installation

- ◆ Desserrez le bouton de blocage (21).
- ◆ Insérez le guide parallèle (12) dans les orifices (22).

- ◆ Faites glisser le guide parallèle dans la position souhaitée.
- ◆ Resserrez le bouton de blocage.

#### Retrait

- ◆ Desserrez le bouton de blocage (21).
- ◆ Ecartez le guide parallèle de l'outil.

## Utilisation

**Attention !** Laissez l'outil fonctionner à sa propre vitesse. Ne le surchargez pas.

Cet outil peut être tenu de la main droite ou de la main gauche.

**Attention !** Guidez le câble avec soin pour ne pas le couper par mégarde.

### Réglage de la profondeur de coupe (fig. D)

La profondeur de coupe doit être fixée en fonction de l'épaisseur de la pièce à scier. Elle doit être supérieure d'environ 2 mm par rapport à l'épaisseur.

- ◆ Dévissez le bouton (5) pour débloquer le patin de la scie.
- ◆ Déplacez le patin de la scie (11) dans la position voulue. Vous pourrez lire la profondeur de coupe sur l'échelle graduée (6).
- ◆ Serrez le bouton de blocage pour bloquer à nouveau le patin de scie.

### Réglage de l'angle en onglet (fig. E)

Cet outil peut être réglé pour exécuter des angles en onglet entre 0° et 45°.

- ◆ Desserrez le bouton de blocage (7) pour débloquer le patin de la scie.
- ◆ Déplacez le patin de la scie (11) dans la position voulue. Vous pourrez lire l'angle en onglet correspondant sur l'échelle graduée (8).
- ◆ Serrez le bouton de blocage pour bloquer à nouveau le patin de scie.

## Démarrage et arrêt

**Attention !** Vérifiez que la clé Allen a bien été extraite de la vis de fixation de la lame avant d'allumer l'outil.

#### Démarrage

- ◆ Enfoncez le bouton de blocage (2) et appuyez sur l'interrupteur de mise en marche (1).
- ◆ Relâchez le bouton de blocage.

#### Arrêt

- ◆ Relâchez l'interrupteur de mise en marche.



## Alignement de la scie avec la ligne de coupe (fig. F)

La scie dispose de 2 guides permettant de couper en ligne droite (23) et de 2 guides pour la découpe en onglet à 45° (24).

- ◆ Alignez le bord gauche des guides (23) ou (24) avec la ligne de coupe (25).

Pour des coupes très précises :

- ◆ Repérez une ligne de coupe sur un morceau de bois que vous n'utiliserez pas.
- ◆ Alignez le bord gauche des guides (23) ou (24) avec la ligne de coupe (25).
- ◆ Faites un essai de coupe.
- ◆ En fonction des résultats de l'essai, réglez la position des guides par rapport à la ligne de coupe.

## Évacuation de la poussière (fig. G)

Vous aurez besoin d'un adaptateur pour brancher un aspirateur ou un système d'aspiration de la poussière sur l'outil. Vous pourrez vous en procurer un auprès de votre détaillant agréé Black & Decker.

- ◆ Insérez l'adaptateur d'extraction de poussière dans l'orifice de sortie de poussière (26).
- ◆ Raccordez le tuyau de l'aspirateur à l'adaptateur.

## Conseils pour une utilisation optimale

- ◆ Étant donné qu'il est inévitable que se produisent quelques éclatements du bois le long de la ligne de coupe sur la face supérieure de la pièce sciée, coupez la pièce sur le bord où les petits éclatements peuvent être admis.
- ◆ Lorsque les éclatements doivent être réduits au minimum, par exemple si vous sciez des plaques laminées, fixez un morceau de contreplaqué sur la face supérieure de la pièce.

## Accessoires

Les performances de votre outil dépendent de l'accessoire que vous utilisez. Les accessoires Black & Decker et Piranha sont conçus selon les normes de haute qualité pour améliorer les performances de votre outil. En utilisant ces accessoires, vous obtiendrez les meilleurs résultats de votre outil.

## Entretien

Votre appareil/outil Black & Decker avec/sans fil a été conçu pour fonctionner pendant longtemps avec un minimum d'entretien. Un fonctionnement continu satisfaisant dépend d'un nettoyage régulier et d'un entretien approprié de l'outil.

**Attention !** Avant toute activité d'entretien sur les outils électriques avec/sans fil :

- ◆ Éteignez et débranchez l'appareil/l'outil.
- ◆ Ou coupez et retirez la batterie de l'appareil/outil s'il comporte un pack-batterie séparé.

- ◆ Voir épuisez complètement la batterie si elle est intégrée puis mettez hors tension.
- ◆ Débranchez le chargeur avant de le nettoyer. Votre chargeur ne nécessite aucun autre entretien qu'un nettoyage régulier.
- ◆ Nettoyez régulièrement les fentes de ventilation de votre outil/appareil/chargeur à l'aide d'une brosse douce ou d'un chiffon sec.
- ◆ Nettoyez régulièrement le carter moteur à l'aide d'un chiffon humide. N'utilisez pas de produit abrasif ou à base de solvant.
- ◆ Ouvrez régulièrement le mandrin (le cas échéant) et tapotez dessus pour retirer toute poussière à l'intérieur.

## Protection de l'environnement



Collecte séparée. Ce produit ne doit pas être jeté avec les déchets domestiques normaux.

Si vous décidez de remplacer ce produit Black & Decker, ou si vous n'en avez plus l'utilité, ne le jetez pas avec vos déchets domestiques. Rendez-le disponible pour une collecte séparée.



La collecte séparée des produits et emballages usés permet le recyclage des articles afin de les utiliser à nouveau. Le fait d'utiliser à nouveau des produits recyclés permet d'éviter la pollution environnementale et de réduire la demande de matières premières.

Les réglementations locales peuvent permettre la collecte séparée des produits électriques du foyer, dans des déchetteries municipales ou auprès du revendeur vous ayant vendu votre nouveau produit.

Black & Decker fournit un dispositif permettant de collecter et de recycler les produits Black & Decker lorsqu'ils ont atteint la fin de leur cycle de vie. Pour pouvoir profiter de ce service, veuillez retourner votre produit à un réparateur agréé qui se chargera de le collecter pour nous.

Pour connaître l'adresse du réparateur agréé le plus proche de chez vous, contactez le bureau Black & Decker à l'adresse indiquée dans ce manuel. Vous pourrez aussi trouver un liste des réparateurs agréés de Black & Decker et de plus amples détails sur notre service après-vente sur le site Internet à l'adresse suivante : [www.2helpU.com](http://www.2helpU.com)

## Caractéristiques techniques

	<b>KS40 TYPE 1</b>
Tension	V <sub>AC</sub> 230
Puissance absorbée	W 710
Vitesse à vide	min <sup>-1</sup> 4.100
Profondeur max. de coupe	mm 40
Diamètre de lame	mm 140
Alésage de lame	mm 12,7
Largeur de l'extrémité de la lame.	mm 2,4
Poids	kg 2,7

### Niveau de pression acoustique selon EN 60745 :

Pression acoustique (L <sub>pa</sub> )	95,2 dB(A), incertitude (K) 3 dB(A)
Puissance acoustique (L <sub>wa</sub> )	106,2 dB(A), incertitude (K) 3 dB(A)

### Valeurs totales de vibration (somme vectorielle triax) selon EN 60745 :

Valeur d'émissions de vibrations (a <sub>v</sub> )	1,359 m/s <sup>2</sup> , incertitude (K) 1,5 m/s <sup>2</sup>
--	---

## Déclaration de conformité CE

DIRECTIVE MACHINES



Black & Decker déclare que ces produits décrits sous les "caractéristiques techniques" sont conformes avec :  
98/37/CE (jusqu'au 28 déc. 2009), 2006/42/CE  
(à compter du 29 déc. 2009), EN 60745-1, EN 60745-2-5

Pour en savoir plus, veuillez contacter Black & Decker à l'adresse suivante ou consultez le dos du manuel.

Le soussigné est responsable de la compilation du fichier technique et effectue cette déclaration au nom de Black & Decker.

Kevin Hewitt  
Vice-président Ingénierie globale  
Black & Decker Europe, 210 Bath Road, Slough,  
Berkshire, SL1 3YD  
Royaume Uni  
1-10-2009

Si un produit Black & Decker s'avère défectueux en raison de matériaux en mauvaises conditions, d'une erreur humaine, ou d'un manque de conformité dans les 24 mois suivant la date d'achat, Black & Decker garantit le remplacement des pièces défectueuses, la réparation des produits usés ou cassés ou remplace ces produits à la convenance du client, sauf dans les circonstances suivantes :

- ◆ Le produit a été utilisé dans un but commercial, professionnel, ou a été loué.
- ◆ Le produit a été mal utilisé ou avec négligence.
- ◆ Le produit a subi des dommages à cause d'objets étrangers, de substances ou à cause d'accidents.
- ◆ Des réparations ont été tentées par des techniciens ne faisant pas partie du service technique de Black & Decker.

Pour avoir recours à la garantie, il est nécessaire de fournir une preuve d'achat au vendeur ou à un réparateur agréé. Pour connaître l'adresse du réparateur agréé le plus proche de chez vous, contactez le bureau Black & Decker à l'adresse indiquée dans ce manuel. Vous pourrez aussi trouver une liste des réparateurs agréés de Black & Decker et de plus amples détails sur notre service après-vente sur le site Internet à l'adresse suivante : [www.2helpU.com](http://www.2helpU.com)

Visitez notre site Web [www.blackanddecker.fr](http://www.blackanddecker.fr) pour enregistrer votre nouveau produit Black & Decker et être informé des nouveaux produits et des offres spéciales. Pour plus d'informations concernant la marque Black & Decker et notre gamme de produits, consultez notre site [www.blackanddecker.fr](http://www.blackanddecker.fr)

## Garantie

Black & Decker est confiant dans la qualité de ses produits et vous offre une garantie très étendue. Ce certificat de garantie est un document supplémentaire et ne peut en aucun cas se substituer à vos droits légaux. La garantie est valable sur tout le territoire des Etats Membres de l'Union Européenne et de la Zone de Libre Echange Européenne.

## Uso previsto

La sega Black & Decker è stata progettata per segare legno e prodotti del legno. L'utensile è stato progettato per un uso individuale.

## Precauzioni di sicurezza

### Avvisi generali di sicurezza per l'elettrotensile



**Attenzione! Leggere tutti gli avvisi e le istruzioni di sicurezza.** La mancata osservanza dei seguenti avvisi e istruzioni potrebbe causare scosse elettriche, incendi e/o infortuni gravi.

**Conservare tutte gli avvisi e le istruzioni per consultazioni future.** Il termine "elettrotensile" che ricorre in tutte le seguenti avvertenze si riferisce ad utensili elettrici con o senza filo.

#### 1. Sicurezza dell'area di lavoro

##### a. Mantenere pulita e bene illuminata l'area di lavoro.

Il disordine o la scarsa illuminazione possono causare incidenti.

##### b. Evitare d'impiegare gli elettrotensili in ambienti esposti al rischio di esplosione, ad esempio in presenza di liquidi, gas o polveri infiammabili.

Gli elettrotensili producono scintille che possono far infiammare la polvere o i fumi.

##### c. Mantenere lontani bambini ed astanti mentre si usa l'elettrotensile. Eventuali distrazioni possono comportare la perdita del controllo dell'elettrotensile.

#### 2. Sicurezza elettrica

##### a. La spina elettrica deve essere adatta alla presa.

**Evitare assolutamente di alterare la spina.**

**Non impiegare spine adattatrici con elettrotensili provvisti di messa a terra.** L'uso di spine inalterate e corrispondenti alle prese della rete domestica riduce il rischio di scosse elettriche.

##### b. Evitare il contatto fisico con superfici collegate a terra, come tubi, radiatori, forni e frigoriferi.

Un corpo collegato a terra è esposto maggiormente al rischio di scosse elettriche.

##### c. Custodire gli elettrotensili al riparo dalla pioggia o dall'umidità. L'eventuale infiltrazione di acqua in un elettrotensile aumenta il rischio di scosse elettriche.

##### d. Non esporre il cavo a sollecitazioni. Non usare il cavo per trasportare o trainare l'elettrotensile e non tirarlo per estrarre la spina dalla presa di corrente.

**Mantenere il cavo a distanza da fonti di calore, olio, bordi taglienti e/o parti in movimento.** I cavi elettrici danneggiati o aggrovigliati aumentano il rischio di scosse elettriche.

**e. Se l'elettrotensile viene adoperato all'aperto, usare esclusivamente prolunghie omologate per l'impiego all'esterno.** Un cavo adatto per impieghi all'esterno riduce il rischio di scosse elettriche.

**f. Se l'uso di un elettrotensile in un ambiente umido è inevitabile, utilizzare una fonte di alimentazione dotata di un dispositivo di protezione da correnti residue (RCD).** L'uso di un RCD riduce il rischio di scosse elettriche.

#### 3. Sicurezza delle persone

##### a. È importante concentrarsi su ciò che si sta facendo e maneggiare con giudizio l'elettrotensile.

**Non adoperare l'elettrotensile se si è stanchi o sotto l'effetto di stupefacenti, alcol o medicinali.** Un attimo di distrazione durante l'uso dell'elettrotensile può causare gravi infortuni personali.

**b. Indossare un equipaggiamento protettivo. Utilizzare sempre occhiali protettivi di sicurezza.** Indossando un equipaggiamento protettivo, ad esempio: maschera antipolvere, calzature di sicurezza con suola antiscivolo, casco e protezioni per l'udito, in condizioni adeguate, si riduce il rischio di lesioni personali.

##### c. Evitare l'accensione involontaria dell'elettrotensile.

**Verificare che l'interruttore di accensione sia posizionato su off prima di collegare il cavo di alimentazione o la batteria, di sollevare o trasportare l'elettrotensile.** Trasportare gli elettrotensili con il dito sull'interruttore di accensione o collegare all'alimentazione elettrotensili con l'interruttore posizionato su on, favorisce il verificarsi di incidenti.

**d. Prima di accendere un elettrotensile, togliere eventuali chiavi o attrezzi di regolazione.** Un attrezzo o una chiave lasciati in un componente mobile dell'elettrotensile possono causare lesioni.

**e. Non sporgersi. Mantenere sempre un buon equilibrio evitando posizioni malsicure.** In questo modo è possibile controllare meglio l'elettrotensile in situazioni inaspettate.

**f. Vestirsi adeguatamente. Evitare di indossare indumenti larghi o gioielli. Tenere capelli, vestiti e guanti lontani dalle parti in movimento.** Vestiti larghi, gioielli o capelli lunghi possono impigliarsi nei componenti in movimento.

**g. Se gli elettrotensili sono provvisti di attacchi per la connessione di dispositivi di aspirazione o raccolta della polvere, assicurarsi che questi siano installati e utilizzati correttamente.** L'uso di un dispositivo di aspirazione può ridurre i rischi correlati alle polveri.

#### 4. Uso e cura degli elettrotensili

##### a. Non sovraccaricare l'elettrotensile. Usare un elettrotensile idoneo al lavoro da eseguire.

Un elettrotensile appropriato permetterà una migliore e più sicura lavorazione alla potenza nominale prevista.

- b. Non utilizzare elettrotensili con interruttori difettosi.**  
Un elettrotensile che non può essere controllato mediante l'interruttore è pericoloso e deve essere riparato.
- c. Scollegare la spina dalla presa e/o estrarre la batteria dall'elettrotensile prima di eseguire regolazioni, di sostituire degli accessori o di riporre l'elettrotensile.**  
Queste precauzioni riducono le possibilità che l'elettrotensile venga messo in funzione accidentalmente.
- d. Quando non vengono usati, gli elettrotensili devono essere custoditi fuori della portata dei bambini. Non consentire l'uso dell'elettrotensile a persone inesperte o che non abbiano letto le presenti istruzioni.** Gli elettrotensili risultano pericolosi se usati da persone inesperte.
- e. Sottoporre gli elettrotensili alle procedure di manutenzione del caso. Verificare che le parti mobili siano bene allineate e non inceppate, che non vi siano componenti rotti e che non sussistano altre condizioni che possano compromettere il funzionamento dell'elettrotensile. In caso di danni, riparare l'elettrotensile prima dell'uso.** La scarsa manutenzione causa molti incidenti.
- f. Mantenere affilati e puliti gli utensili da taglio.** Se sottoposti alla corretta manutenzione, gli utensili da taglio con taglienti affilati s'inceppano meno frequentemente e sono più facili da manovrare.
- g. Utilizzare l'elettrotensile, gli accessori, le punte ecc. in conformità alle presenti istruzioni, tenendo conto delle condizioni lavorative e del tipo di lavoro da eseguire.** L'impiego degli elettrotensili per usi diversi da quelli previsti può dar luogo a situazioni di pericolo.
- 5. Riparazioni**
- a. Fare riparare l'elettrotensile solo ed esclusivamente da personale specializzato e solo impiegando pezzi di ricambio originali.** Ciò permetterà di conservare le condizioni di sicurezza dell'elettrotensile.

### Ulteriori avvisi di sicurezza per l'elettrotensile



**Attenzione!** Ulteriori avvisi di sicurezza per segatrici

- a. Mai avvicinare le mani alla zona operativa e neppure alla lama da taglio. Tenere l'altra mano sull'impugnatura ausiliaria o sul carter del motore.** Impugnando la segatrice con entrambe le mani, si evitano tagli alle stesse.
- b. Mai afferrare con le mani la parte inferiore del pezzo in lavorazione.** Nella zona al di sotto del pezzo in lavorazione la calotta di protezione non presenta alcuna protezione contro la lama da taglio.
- c. Adattare la profondità di taglio allo spessore del pezzo in lavorazione.** Nella parte inferiore del pezzo in lavorazione dovrebbe essere visibile meno della completa altezza del dente.
- d. Mai tenere con le mani il pezzo in lavorazione che si intende tagliare e neppure appoggiarlo sulla gamba. Assicurare il pezzo in lavorazione su una base di sostegno stabile.** Per ridurre al minimo il pericolo di un contatto con il corpo, la possibilità di un blocco della lama da taglio oppure la perdita del controllo, è importante fissare bene il pezzo in lavorazione.
- e. Eseguendo lavori in cui l'utensile da taglio può entrare in contatto con linee elettriche nascoste o con il cavo di alimentazione, afferrare l'elettrotensile tramite le apposite impugnature isolanti.** In caso di contatto con una linea sotto tensione anche le parti metalliche dell'elettrotensile vengono sottoposte a tensione provocando una scossa elettrica.
- f. In caso di taglio longitudinale utilizzare sempre una battuta oppure una guida angolare dritta.** In questo modo è possibile migliorare la precisione del taglio riducendo il pericolo che la lama possa incepparsi.
- g. Utilizzare sempre lame per segatrici che abbiano la misura corretta ed il foro di montaggio adatto (p.es. a diamante oppure rotondo).** Lame per segatrici non adatte ai relativi pezzi di montaggio, avranno una rotazione eccentrica causando la perdita di controllo dell'elettrotensile.
- h. Mai utilizzare rondelle oppure viti per lama da taglio che non dovessero essere in perfetto stato o che non dovessero essere adatte.** Le rondelle e le viti per lama da taglio sono appositamente previste per la vostra segatrice e sono state realizzate per raggiungere ottimali prestazioni e massima sicurezza di utilizzo.

Ulteriori istruzioni di sicurezza valide per tutte le segatrici  
Possibili cause ed accorgimenti per impedire un contraccolpo:

- ◆ un contraccolpo è la reazione improvvisa provocata da una lama da taglio rimasta agganciata, che si blocca oppure che non è stata regolata correttamente comportando un movimento incontrollato della segatrice che sbalza dal pezzo in lavorazione e si sposta in direzione dell'operatore;
- ◆ quando la lama da taglio rimane agganciata oppure si inceppa nella fessura del taglio che si restringe, si provoca un blocco e la potenza del motore fa balzare la macchina indietro in direzione dell'operatore;
- ◆ qualora la lama si piegasse o si disallineasse durante il taglio, i denti del bordo posteriore della lama potrebbero rimanere piantati nella superficie superiore del pezzo in lavorazione facendo uscire la lama dalla tacca e causandone un salto all'indietro in direzione dell'operatore.

Un contraccolpo è la conseguenza di un utilizzo non appropriato oppure non corretto della segatrice. Esso può essere evitato soltanto prendendo misure di sicurezza adatte come dalla descrizione che segue.

- a. **Tenere la segatrice ben ferma afferrandola con entrambe le mani e portare le braccia in una posizione che permetta di resistere bene alla forza dei contraccolpi. Tenere sempre una posizione laterale rispetto alla lama da taglio e mai mettere la lama da taglio in linea con il proprio corpo.** In caso di un contraccolpo la segatrice può balzare all'indietro; comunque, prendendo delle misure adatte l'operatore può essere in grado di controllare il contraccolpo.
- b. **Nel caso in cui la lama da taglio dovesse incepparsi oppure per un qualunque altro motivo l'operazione di taglio con la segatrice dovesse essere interrotta, rilasciare l'interruttore di avvio/arresto e tenere la segatrice in posizione nel materiale fino a quando la lama da taglio non si sarà fermata completamente. Non tentare mai di togliere la segatrice dal pezzo in lavorazione e neppure tirarla all'indietro fintanto che la lama da taglio si muove oppure se ancora sussiste la possibilità di un contraccolpo.** Individuare la possibile causa del blocco della lama da taglio ed eliminarla attraverso interventi adatti.
- c. **Volendo avviare nuovamente una segatrice che ancora si trova nel pezzo in lavorazione, centrare la lama nella fessura del taglio ed accertarsi che la dentatura della segatrice non sia rimasta agganciata nel pezzo in lavorazione.** Una lama da taglio inceppata può balzare fuori dal pezzo in lavorazione oppure provocare un contraccolpo nel momento in cui si avvia nuovamente la segatrice.
- d. **Per ridurre al minimo il rischio di blocco della lama da taglio e di contraccolpi, assicurare bene i pannelli di grandi dimensioni, che tendono a piegarsi sotto il proprio peso. Sotto tali pannelli, è necessario inserire da entrambi i lati dei supporti idonei, sia lungo la linea di taglio che lungo i bordi.**
- e. **Non utilizzare mai lame per segatrice che non siano più affilate oppure il cui stato generale non dovesse essere più perfetto.** Lame per segatrice non più affilate oppure deformate implicano un maggiore attrito nella fessura del taglio aumentando il pericolo di blocchi e di contraccolpi della lama da taglio.
- f. **Prima di eseguire l'operazione di taglio, determinare la profondità e l'angolatura del taglio.** Se durante l'operazione di taglio si modificano le registrazioni è possibile che la lama da taglio si blocchi e che si abbia un contraccolpo.

- g. **Si prega di operare con particolare attenzione quando si è in procinto di eseguire un "taglio dal centro" in una zona nascosta come potrebbe per esempio essere una parete.** La lama da taglio che inizia il taglio su oggetti nascosti può bloccarsi e provocare un contraccolpo.

**Istruzioni di sicurezza per seghe circolari con paralama interno o esterno e con protezione**

- a. **Prima di ogni intervento operativo accertarsi che la calotta di protezione inferiore si chiuda perfettamente. Non utilizzare la segatrice qualora la calotta di protezione inferiore non si muovesse liberamente e non si chiudesse immediatamente. Mai bloccare oppure legare la calotta di protezione inferiore in posizione aperta.** Se la segatrice dovesse accidentalmente cadere a terra è possibile che la calotta di protezione inferiore subisca una deformazione. Operando con la leva di ritorno, aprire la calotta di protezione ed accertarsi che possa muoversi liberamente in ogni angolazione e profondità di taglio senza toccare né la lama né nessun altro pezzo.
- b. **Controllare il funzionamento della molla per la calotta di protezione inferiore. Qualora la calotta di protezione e la molla non dovessero funzionare correttamente, sottoporre l'elettroutensile ad un servizio di manutenzione prima di utilizzarlo.** Componenti danneggiati, depositi di sporcizia appiccicosi oppure accumuli di trucioli comportano una riduzione della funzionalità della calotta inferiore di protezione.
- c. **Aprire manualmente la calotta inferiore di protezione solo in caso di tagli particolari come potrebbero essere "tagli dal centro" e "tagli ad angolo". Aprire la calotta inferiore di protezione mediante la leva di ritorno e rilasciarla non appena la lama da taglio sarà penetrata nel pezzo in lavorazione.** Nel caso di ogni altra operazione di taglio la calotta inferiore di protezione deve funzionare automaticamente.
- d. **Non appoggiare la segatrice sul banco da lavoro oppure sul pavimento se la calotta inferiore di protezione non copre completamente la lama da taglio.** Una lama da taglio non protetta ed ancora in fase di arresto sposta la segatrice in senso contrario a quello della direzione di taglio e taglia tutto quello che incontra. Tenere quindi sempre in considerazione la fase di arresto della segatrice.

**Ulteriori istruzioni di sicurezza per tutti i tipi di segatrici con coltello fenditore.**

- a. **Utilizzare un coltello fenditore che sia adatto alla lama da taglio impiegata.** Lo spessore del coltello fenditore deve essere maggiore dello spessore della lama originale della lama da taglio ma minore della larghezza del dente della lama da taglio.

- b. **Regolare il coltello fenditore operando secondo le descrizioni contenute nel Manuale di istruzioni per l'uso.** Uno spessore, una posizione ed un allineamento non conformi possono rendere inefficace il coltello fenditore nel prevenire i contraccolpi.
- c. **Utilizzare sempre il coltello fenditore, tranne che in caso di tagli dal centro.** Dopo un taglio dal centro montare di nuovo il coltello fenditore. In caso di tagli dal centro il coltello fenditore disturba e può provocare un contraccolpo.
- d. **Perché il coltello fenditore possa funzionare correttamente è necessario che si trovi nella fessura del taglio.** In caso di tagli corti il coltello fenditore è inefficace ai fini di evitare un contraccolpo.
- e. **Mai azionare la segatrice con un coltello fenditore deformato.** Una piccola interferenza può già ridurre il funzionamento della calotta di protezione.

### Altri rischi

I seguenti rischi sono insiti nell'uso delle segatrici:

- Lesioni causate dal contatto con componenti in rotazione.

Anche rispettando le relative normative di sicurezza e utilizzando i dispositivi di sicurezza, alcuni rischi residui non possono essere evitati. Ovvero:

- Danni all'udito.
- Rischio di incidenti causati da parti scoperte della lama in rotazione.
- Rischio di lesioni durante la sostituzione della lama.
- Rischio di schiacciamento delle dita durante l'apertura delle protezioni.
- Rischi per la salute causati dalla respirazione di polveri generate dalla segatura del legno, in particolare quercia, faggio e MDF (pannelli di fibre a densità media).

### Lame

- ◆ Non utilizzare lame di diametro maggiore o minore rispetto a quello consigliato. Per il tipo di lama indicato fare riferimento ai dati tecnici. Utilizzare unicamente le lame specificate nel presente manuale, conformi alla normativa EN-847-1.
- ◆ **Attenzione!** Non impiegare dischi abrasivi.

### Sicurezza altrui

- ◆ Questo elettroutensile non è destinato ad essere utilizzato da persone (bambini inclusi) con ridotte capacità fisiche, sensoriali o mentali, senza esperienza o non in possesso delle dovute conoscenze, senza la supervisione o l'addestramento da parte di una persona responsabile per la loro sicurezza.
- ◆ Controllare i bambini per evitare che giochino con l'elettroutensile.

### Vibrazioni

I valori delle vibrazioni dichiarati nei dati tecnici e nella dichiarazione di conformità sono stati misurati in conformità ai metodi di test standard descritti in: EN 60745 e possono essere utilizzati per comparare due elettroutensili. I valori di emissioni dichiarati possono essere usati anche per una valutazione preliminare dell'esposizione.

**Attenzione!** Il valore delle vibrazioni durante l'uso dell'elettroutensile può differire dai valori dichiarati a seconda del modo in cui viene usato l'elettroutensile. Il livello di vibrazioni può aumentare rispetto al livello nominale.

Quando si valuta l'esposizione alle vibrazioni e si stabiliscono le misure di sicurezza richieste dalla direttiva 2002/44/CE per proteggere il personale che utilizza regolarmente gli elettroutensili nello svolgimento delle proprie funzioni, considerare una stima dell'esposizione alle vibrazioni, le effettive condizioni d'uso e il modo in cui l'elettroutensile viene usato, analizzando tutte le parti del ciclo operativo, ovvero i periodi in cui l'elettroutensile è spento o gira a vuoto, oltre al tempo in cui è in uso.

### Etichette sull'elettroutensile

Sull'elettroutensile sono presenti le seguenti immagini:



**Attenzione!** Per ridurre il rischio di lesioni, l'utente è tenuto a leggere il presente manuale di istruzioni.

### Sicurezza elettrica



Il doppio isolamento di cui è provvisto l'elettroutensile rende superfluo il filo di terra. Controllare sempre che l'alimentazione corrisponda alla tensione indicata sulla targhetta delle caratteristiche.

- ◆ Se il cavo elettrico in dotazione risulta danneggiato, deve essere sostituito dal produttore o da un Centro di assistenza autorizzato Black & Decker, onde evitare rischi

### Funzioni

1. Interruttore acceso/spento
2. Pulsante di sblocco
3. Impugnatura principale
4. Impugnatura laterale
5. Profondità della leva di regolazione del taglio
6. Scala di profondità del taglio
7. Manopola di fissaggio per la regolazione dell'angolo a quartabuono
8. Scala per taglio a quartabuono
9. Paralama

10. Leva per ritrarre la protezione della lama della sega
11. Pattino della sega
12. Guida parallela
13. Coltello fenditore

## Montaggio

**Attenzione!** Prima di tentare una delle seguenti operazioni, accertarsi che l'elettrotensile sia spento, che la spina sia disinserita dalla presa e che la lama della sega sia ferma.

## Smontaggio e montaggio di una lama (fig. A)

### Smontaggio

- ◆ Inserire un cacciavite nel foro (14) per impedire la rotazione della lama. Altrimenti bloccare la rondella esterna (15) mediante una chiave da 18 mm.
- ◆ Allentare e smontare la vite che fissa la lama (16), ruotandola in senso antiorario mediante la chiave Allen (17) fornita.
- ◆ Asportare la rondella esterna (15).
- ◆ Togliere la lama della sega (18).

### Installazione

- ◆ Collocare la lama sulla rondella interna (19), accertando che la freccia sulle punte della lama sia rivolta nella stessa direzione della freccia sull'utensile.
- ◆ Inserire la rondella esterna (15) sull'alberino, in modo che la parte a rilievo punti in direzione opposta rispetto alla lama della sega.
- ◆ Inserire nel foro la vite che fissa la lama (16).
- ◆ Inserire un cacciavite nel foro (14) per impedire la rotazione della lama. Altrimenti bloccare la rondella esterna (15) mediante una chiave da 18 mm.
- ◆ Serrare saldamente la vite che fissa la lama, ruotandola in senso orario mediante la chiave Allen (17) fornita.
- ◆ Regolare il coltello fenditore come descritto di seguito.

## Regolazione del coltello fenditore (fig. B)

Il coltello fenditore impedisce alla lama della sega di saltare durante le operazioni di taglio secondo la fibra. Dopo la sostituzione della lama, è necessario regolare il coltello fenditore.

- ◆ Allentare la vite (20).
- ◆ Regolare il coltello fenditore (13) come mostrato.
  - La distanza tra la corona dentata e il coltello fenditore non deve essere superiore a 2 - 3 mm.
  - La distanza in altezza tra la corona dentata e l'estremità inferiore del coltello fenditore deve essere di 2 - 3 mm.
- ◆ Stringere la vite (20).

## Montaggio e smontaggio della guida parallela (fig. E)

La guida parallela viene impiegata per segare in linea dritta, parallelamente al bordo del pezzo da lavorare.

### Installazione

- ◆ Allentare la manopola di bloccaggio (21).
- ◆ Inserire la guida parallela (12) attraverso le aperture (22).
- ◆ Far scivolare la guida parallela nella posizione desiderata.
- ◆ Stringere la manopola di bloccaggio.

### Smontaggio

- ◆ Allentare la manopola di bloccaggio (21).
- ◆ Estrarre la guida parallela dall'elettrotensile.

### Uso

**Attenzione!** Lasciare che l'utensile lavori al suo ritmo, senza sovraccaricarlo.

Questo elettrotensile può essere usato con la mano sinistra o la destra.

**Attenzione!** Dirigere con attenzione il cavo per evitare di tagliarlo involontariamente.

## Regolazione della profondità di taglio (fig. D)

La profondità del taglio deve essere impostata in base allo spessore del pezzo da lavorare e deve superarlo di circa 2 mm.

- ◆ Allentare la manopola (5) per sbloccare la piastra della sega.
- ◆ Spostare la piastra della sega (11) nella posizione desiderata. La profondità di taglio corrispondente è leggibile sulla scala (6).
- ◆ Serrare la manopola per bloccare in posizione la piastra della sega.

## Regolazione dell'angolo a quartabuono (fig. E)

Questo elettrotensile può essere impostato su un angolo di quartabuono che va da 0° a 45°.

- ◆ Allentare la manopola di bloccaggio (7) per sbloccare la piastra della sega.
- ◆ Spostare la piastra della sega (11) nella posizione desiderata. L'angolo di taglio corrispondente è leggibile sulla scala (8).
- ◆ Serrare la manopola di bloccaggio per bloccare in posizione la piastra della sega.

## Avviamento e spegnimento

**Attenzione!** Prima di accendere la sega, accertare di avere rimosso la chiave Allen dalla vite che fissa la lama.

## Accensione

- ◆ Tenere premuto il pulsante di sblocco (2) e premere l'interruttore on/off (1).
- ◆ Rilasciare il pulsante di sblocco.

## Spegnimento

- ◆ Rilasciare l'interruttore on/off.

## Allineamento della sega alla linea di taglio (fig. F)

La sega è munita di due guide per il taglio diritto (23) e di due guide per il taglio a 45° gradi (24).

- ◆ Allineare il bordo sinistro delle guide (23) o (24) con la linea di taglio (25).

Per tagli di alta precisione:

- ◆ Marcare una linea di taglio su un pezzo di legno di scarto.
- ◆ Allineare il bordo sinistro delle guide (23) o (24) con la linea di taglio (25).
- ◆ Fare una prova di taglio.
- ◆ In base ai risultati, regolare la posizione delle guide secondo la linea di taglio.

## Aspirazione polveri (fig. G)

Per collegare un aspirapolvere o estrattore di polvere all'elettrodomestico è necessario fare uso di un adattatore. L'adattatore può essere acquistato presso il rivenditore Black & Decker di zona.

- ◆ Inserire l'adattatore per l'estrazione della polvere nell'uscita per la segatura (26).
- ◆ Connettere all'adattatore il flessibile dell'aspirapolvere.

## Consigli per un'ottima utilizzazione

- ◆ Poiché è impossibile evitare la scheggiatura lungo la linea di taglio sul lato superiore del pezzo, il taglio deve essere effettuato in un punto in cui la scheggiatura è accettabile.
- ◆ Nei casi in cui è necessario ottenere un taglio pulito, ad esempio per il taglio di laminati, fissare un pezzo di compensato sopra al pezzo da lavorare.

## Accessori

Le prestazioni dell'utensile dipendono dall'accessorio usato. Gli accessori Black & Decker e Piranha, che sono prodotti di altissima qualità, sono stati progettati per ottimizzare la resa dell'utensile. Quando si scelgono questi accessori l'utensile offre prestazioni eccellenti.

## Manutenzione

Questo apparecchio/elettrodomestico con filo o a batteria Black & Decker è stato progettato per funzionare a lungo con un minimo di manutenzione. Per un funzionamento sempre soddisfacente è necessario avere cura dell'elettrodomestico e provvedere alla regolare pulizia.

**Attenzione!** Prima di eseguire qualunque intervento di manutenzione su elettrodomestici con filo o a batteria:

- ◆ Spegnere l'apparecchio/elettrodomestico e disinserire la spina.
- ◆ Oppure spegnere e rimuovere la batteria se l'apparecchio/elettrodomestico è dotato di una batteria separata.
- ◆ Oppure, far scaricare completamente la batteria, se è integrata, quindi spegnere l'elettrodomestico.
- ◆ Scollegare il caricabatterie dalla presa elettrica prima di pulirlo. Il caricabatterie non richiede alcun tipo di manutenzione oltre a una regolare pulizia.
- ◆ Pulire regolarmente con una spazzola morbida o un panno asciutto le prese di ventilazione dell'elettrodomestico/apparecchio e del caricabatterie.
- ◆ Il vano del motore deve essere pulito regolarmente con un panno umido. Non usare materiali abrasivi o detergenti a base di solventi.
- ◆ Aprire regolarmente il mandrino e colpirlo leggermente per togliere tutta la polvere dall'interno (quando è installato).

## Protezione dell'ambiente



Raccolta differenziata. Questo prodotto non deve essere smaltito con i normali rifiuti domestici.

Nel caso in cui si decida di sostituire l'apparecchio oppure di disfarsene in quanto non più necessario, non dovrà essere smaltito con i normali rifiuti domestici. Smaltire il prodotto tramite raccolta differenziata.



La raccolta differenziata di prodotti e imballaggi usati, consente il riciclaggio e il riutilizzo dei materiali. Riutilizzare i materiali riciclati aiuta a prevenire l'inquinamento ambientale e riduce la richiesta di materie prime.

In base alle normative locali, i servizi per la raccolta differenziata di elettrodomestici possono essere disponibili presso i punti di raccolta municipali o presso il rivenditore, al momento dell'acquisto di un nuovo prodotto.

Black & Decker offre ai suoi clienti un servizio per la raccolta differenziata e la possibilità di riciclare i prodotti Black & Decker che hanno esaurito la loro durata in servizio. Per usufruire del servizio, è sufficiente restituire il prodotto a qualsiasi tecnico autorizzato, incaricato della raccolta per conto dell'azienda.

Per individuare il tecnico autorizzato più vicino, rivolgersi alla sede Black & Decker locale, presso il recapito indicato nel presente manuale. Altrimenti un elenco completo di tutti i tecnici autorizzati Black & Decker e i dettagli completi sui contatti e i servizi post-vendita sono disponibili sul sito Internet: [www.2helpU.com](http://www.2helpU.com)



**Dati tecnici**

<b>KS40 TYPE 1</b>	
Tensione	V <sub>AC</sub> 230
Potenza assorbita	W 710
Velocità a vuoto	min <sup>-1</sup> 4.100
Profondità max. di taglio	mm 40
Diametro della lama	mm 140
Alesaggio della lama	mm 12,7
Larghezza delle punte della lama	mm 2,4
Peso	kg 2,7

**Livello di pressione sonora, dati conformi alla norma EN 60745:**Pressione sonora (L<sub>pA</sub>) 95,2 dB(A), incertezza (K) 3 dB(A)Potenza acustica (L<sub>WA</sub>) 106,2 dB(A), incertezza (K) 3 dB(A)**Valori totali di vibrazione (somma vettoriale triax) determinati in base a EN 60745:**Valore di emissione delle vibrazioni (a<sub>w</sub>) 1,359 m/s<sup>2</sup>, incertezza (K) 1,5 m/s<sup>2</sup>**Dichiarazione di conformità CE**

DIRETTIVA MACCHINE



Black & Decker dichiara che i prodotti descritti nella sezione "dati tecnici" sono conformi con:  
 98/37/CE (fino al 28 dicembre 2009), 2006/42/CE  
 (dal 29 dicembre 2009), EN 60745-1, EN 60745-2-5

Per ulteriori informazioni, contattare Black & Decker ai seguenti indirizzi o consultare il retro del manuale.

Il sottoscritto è responsabile della compilazione del file tecnico e rilascia la presente dichiarazione per conto di Black & Decker.

Kevin Hewitt  
 Vicepresidente progettazione globale  
 Black & Decker Europe, 210 Bath Road, Slough,  
 Berkshire, SL1 3YD  
 Regno Unito  
 1-10-2009

Se un prodotto Black & Decker risulta difettoso per qualità del materiale, della costruzione o per mancata conformità entro 24 mesi dalla data di acquisto, Black & Decker garantisce la sostituzione delle parti difettose, provvede alla riparazione dei prodotti se ragionevolmente usurati oppure alla loro sostituzione, in modo da ridurre al minimo il disagio del cliente a meno che:

- ◆ Il prodotto non sia stato destinato ad usi commerciali, professionali o al noleggio;
- ◆ Il prodotto non sia stato usato in modo improprio o scorretto;
- ◆ Il prodotto non abbia subito danni causati da oggetti o sostanze estranee oppure incidenti;
- ◆ Il prodotto non abbia subito tentativi di riparazione non effettuati da tecnici autorizzati né dall'assistenza Black & Decker.

Per attivare la garanzia è necessario esibire la prova comprovante l'acquisto al venditore o al tecnico autorizzato. Per individuare il tecnico autorizzato più vicino, rivolgersi alla sede Black & Decker locale, presso il recapito indicato nel presente manuale. Altrimenti un elenco completo di tutti i tecnici autorizzati Black & Decker e i dettagli completi sui contatti e i servizi post-vendita sono disponibili su Internet presso: [www.2helpU.com](http://www.2helpU.com)

I clienti che desiderano registrare il nuovo prodotto Black & Decker e ricevere gli aggiornamenti sui nuovi prodotti e le offerte speciali, sono invitati a visitare il sito Web ([www.blackanddecker.it](http://www.blackanddecker.it)). Ulteriori informazioni sul marchio e la gamma di prodotti Black & Decker sono disponibili all'indirizzo [www.blackanddecker.it](http://www.blackanddecker.it)

**Garanzia**

Certa della qualità dei suoi prodotti, Black & Decker offre una garanzia eccezionale. Il presente certificato di garanzia è complementare ai diritti statutari e non li pregiudica in alcun modo. La garanzia è valida entro il territorio degli Stati membri dell'Unione Europea e dell'EFTA (European Free Trade Area).

## Gebruik volgens bestemming

Uw Black & Decker cirkelzaag is ontwikkeld voor het zagen van hout en houtproducten. Deze machine is uitsluitend bestemd voor consumentengebruik.

## Veiligheidsvoorschriften

### Algemene veiligheidswaarschuwingen voor elektrisch gereedschap



**Waarschuwing! Lees alle veiligheidsinstructies en alle voorschriften.** Wanneer de volgende waarschuwingen en voorschriften niet in acht worden genomen, kan dit een elektrische schok, brand of ernstig letsel tot gevolg hebben.

### Bewaar alle waarschuwingen en instructies zorgvuldig.

Het hierna gebruikte begrip "elektrisch gereedschap" heeft betrekking op elektrische gereedschappen voor gebruik op het stroomnet (met netsnoer) of op batterijen (snoerloos).

#### 1. Veiligheid van de werkomgeving

- a. **Houd uw werkomgeving schoon en opgeruimd.**  
Een rommelige en een onverlichte werkomgeving kan tot ongevallen leiden.
- b. **Werk niet met elektrische gereedschappen in een omgeving met explosiegevaar, zoals in aanwezigheid van brandbare vloeistoffen, gassen of stof.** Elektrische gereedschappen veroorzaken vonken die het stof of de dampen tot ontsteking kunnen brengen.
- c. **Houd kinderen en andere personen tijdens het gebruik van het elektrische gereedschap uit de buurt.** Wanneer u wordt afgeleid, kunt u de controle over het gereedschap verliezen.

#### 2. Elektrische veiligheid

- a. **De netstekker van het gereedschap moet in het stopcontact passen. De stekker mag in geen geval worden veranderd. Gebruik geen adapterstekkers in combinatie met gearde gereedschappen.**  
Onveranderde stekkers en passende stopcontacten verminderen de kans op een elektrische schok.
- b. **Voorkom aanraking van het lichaam met gearde oppervlakken, bijvoorbeeld buizen, verwarmingen, fornuizen en koelkasten.** De kans op een elektrische schok is groter als uw lichaam geard is.
- c. **Stel elektrisch gereedschap niet bloot aan regen en vocht.** In elektrisch gereedschap binnendringend water vergroot de kans op een elektrische schok.

- d. **Gebruik het snoer niet voor een verkeerd doel. Gebruik het snoer niet om het gereedschap te dragen, voor te trekken of om de stekker uit het stopcontact te trekken. Houd het snoer uit de buurt van hitte, olie, scherpe randen of bewegende delen.** Beschadigde of in de war geraakte snoeren vergroten de kans op een elektrische schok.
- e. **Gebruik wanneer u buitenshuis met elektrisch gereedschap werkt alleen verlengsnoeren die voor gebruik buitenshuis zijn goedgekeurd.** Het gebruik van een voor gebruik buitenshuis geschikt verlengsnoer verkleint de kans op een elektrische schok.
- f. **Gebruik een netvoeding voorzien van een reststroomvoorziening (RCD) indien het gebruiken van elektrisch gereedschap op een vochtige locatie onvermijdelijk is.** Gebruik van een reststroomvoorziening verkleint het risico van elektrische schok.

#### 3. Veiligheid van personen

- a. **Wees alert, let goed op wat u doet en ga met verstand te werk bij het gebruik van elektrische gereedschappen. Gebruik elektrisch gereedschap niet wanneer u moebent of onder invloed van drugs, alcohol of medicijnen.**  
Een moment van onoplettendheid bij het gebruik van het gereedschap kan tot ernstige verwondingen leiden.
- b. **Gebruik persoonlijke beschermende uitrusting. Draag altijd oogbescherming.** Persoonlijke beschermende uitrusting zoals een stofmasker, slipvaste werkschoenen, een veiligheidshelm of gehoorbescherming, gebruikt voor geschikte condities, verkleint het risico van verwondingen.
- c. **Voorkom onbedoeld inschakelen. Zorg ervoor dat de schakelaar in de "uit"-stand staat voordat u de stekker in het stopcontact steekt, de accu plaatst of het gereedschap oppakt of draagt.** Het dragen van het gereedschap met uw vinger aan de schakelaar of het gereedschap ingeschakeld op de stroomvoorziening aansluiten kan tot ongelukken leiden.
- d. **Verwijder stelsleutels of moersleutels voordat u het gereedschap inschakelt.** Een sleutel in een draaiend onderdeel van het elektrische gereedschap kan tot verwondingen leiden.
- e. **Reik niet te ver. Zorg altijd dat u stevig staat en in evenwicht blijft.** Daardoor kunt u het gereedschap in onverwachte situaties beter onder controle houden.
- f. **Draag geschikte kleding. Draag geen loshangende kleding of sieraden. Houd haren, kleding en handschoenen uit de buurt van bewegende delen.** Loshangende kleding, sieraden en lange haren kunnen bekneld raken in bewegende delen.

- g. **Sluit eventueel bijgeleverde stofafzuig- of stofopvangvoorzieningen aan en gebruik ze op de juiste manier.** Het gebruik van stofopvang beperkt het gevaar door stof.
4. **Gebruik en onderhoud van elektrische gereedschappen**
- a. **Overbelast het gereedschap niet. Gebruik voor uw toepassing het daarvoor bestemde elektrische gereedschap.** Met het passende elektrische gereedschap werkt u beter en veiliger binnen het aangegeven capaciteitsbereik.
- b. **Gebruik geen elektrisch gereedschap waarvan de schakelaar defect is.** Elektrisch gereedschap dat niet meer kan worden in- of uitgeschakeld is gevaarlijk en moet worden gerepareerd.
- c. **Trek de stekker uit het stopcontact en/of accu alvorens het gereedschap af te stellen, accessoires te verwisselen of elektrisch gereedschap op te bergen.** Deze voorzorgsmaatregel voorkomt onbedoeld starten van het gereedschap.
- d. **Bewaar elektrische gereedschappen die niet worden gebruikt buiten bereik van kinderen. Laat personen die niet met het gereedschap vertrouwd zijn of deze aanwijzingen niet hebben gelezen niet met het gereedschap werken.** Elektrische gereedschappen zijn gevaarlijk in de handen van onervaren personen.
- e. **Verzorg het gereedschap zorgvuldig. Controleer bewegende delen van het gereedschap op goede uitlijning en soepele werking. Controleer of onderdelen niet gebroken zijn of dat de werking van het gereedschap niet op enige andere wijze nadelig wordt beïnvloed. Laat beschadigde delen repareren voordat u met het gereedschap gaat werken.** Veel ongevallen worden veroorzaakt door slecht onderhouden elektrische gereedschappen.
- f. **Houd snijgereedschappen scherp en schoon.** Zorgvuldig onderhouden snijgereedschappen met scherpe snijkanten lopen minder snel vast en zijn gemakkelijker te sturen.
- g. **Gebruik elektrische gereedschappen, toebehoren, inzetgereedschappen en dergelijke volgens deze aanwijzingen. Let daarbij op de arbeidsomstandigheden en de uit te voeren werkzaamheden.** Het gebruik van elektrische gereedschappen voor andere dan de voorziene toepassingen kan tot gevaarlijke situaties leiden.
5. **Service**
- a. **Laat het elektrische gereedschap alleen repareren door een gekwalificeerde reparateur en alleen met gebruik van originele vervangingsonderdelen.** Dit garandeert de veiligheid van het gereedschap.

## Aanvullende veiligheidsinstructies voor elektrisch gereedschap



**Waarschuwing!** Aanvullende veiligheids-  
waarschuwingen voor zagen

- a. **Houd uw handen uit de buurt van de zaagomgeving en het zaagblad. Houd met uw andere hand de extra handgreep of het motorhuis vast.** Als u de zaagmachine met beide handen vasthoudt, kan het zaagblad ze niet verwonden.
- b. **Grijp niet onder het werkstuk.** De beschermkap kan u onder het werkstuk niet tegen het zaagblad beschermen.
- c. **Pas de zaagdiepte aan de dikte van het werkstuk aan.** Er dient minder dan een volledige tandhoogte onder het werkstuk zichtbaar te zijn.
- d. **Houdt het te zagen werkstuk nooit in uw hand of op uw been vast. Klem het werkstuk op een stabiele ondergrond vast.** Het is belangrijk om het werkstuk goed te ondersteunen om het gevaar van contact met het lichaam, vastklemmen van het zaagblad of verlies van de controle te minimaliseren.
- e. **Houd de machine alleen aan de geïsoleerde greepvlakken vast als u werkzaamheden uitvoert waarbij het zaagblad verborgen stroomleidingen of de eigen machinekabel kan raken.** Het contact met een onder spanning staande leiding zet ook de zichtbare metalen machinedelen onder spanning en leidt tot een elektrische schok.
- f. **Gebruik bij het schulpen altijd een paralleelaanslag of een langsegeleider.** Dit verbetert de zaagnauwkeurigheid en verkleint de mogelijkheid dat het zaagblad vastklemt.
- g. **Gebruik altijd zaagbladen met de juiste maat en vorm (stervormig of rond) van het asgat.** Zaagbladen die niet bij de montagedelen van de zaagmachine passen, lopen niet rond, wat leidt tot controleverlies.
- h. **Gebruik nooit beschadigde of verkeerde sluitringen of borgbout voor het zaagblad.** De sluitringen en borgbout voor het zaagblad zijn speciaal geconstrueerd voor deze zaagmachine, voor optimaal vermogen en optimale bedrijfszekerheid.

## Aanvullende veiligheidsvoorschriften voor alle zagen

Oorzaken en voorkoming van een terugslag:

- ◆ een terugslag is de plotselinge reactie als gevolg van een vasthakend, klemmend of verkeerd afgesteld zaagblad, waardoor een ongecontroleerde zaagmachine uit het werkstuk omhoogkomt en in de richting van de gebruiker beweegt;
- ◆ als het zaagblad in de zich sluitende zaagsnede vasthaakt of vastklemt, wordt het geblokkeerd en slaat de motorkracht de machine in de richting van de gebruiker terug;

- ◆ als het zaagblad in de zaagsnede wordt gedraaid of verkeerd wordt gericht, kunnen de tanden van de achterste zaagbladrand in het oppervlak van het werkstuk vasthaken, waardoor het zaagblad uit de zaagsnede beweegt en achteruitspringt in de richting van de gebruiker.

Een terugslag is het gevolg van het verkeerd gebruik of onjuiste gebruiksomstandigheden van de zaagmachine.

Terugslag kan worden voorkomen door geschikte voorzorgsmaatregelen, zoals hieronder beschreven, te nemen.

- Houd de zaagmachine met beide handen vast en houd uw armen zo dat u stand kunt houden ten opzichte van de terugslagkrachten. Blijf altijd opzij van het zaagblad en breng het zaagblad nooit in één lijn met uw lichaam.** Bij een terugslag kan de zaagmachine achteruit springen. De bedienende persoon kan de terugslagkrachten echter beheersen wanneer geschikte voorzorgsmaatregelen zijn getroffen.
- Als het zaagblad vastklemt of het zagen om een andere reden wordt onderbroken, laat u de aan/uit-schakelaar los en houdt de zaagmachine in het materiaal rustig tot het zaagblad volledig stilstaat.** Probeer nooit om de zaagmachine uit het werkstuk te verwijderen of de machine achteruit te trekken zolang het zaagblad beweegt of een terugslag kan optreden. Spoor de oorzaak van het klemmen van het zaagblad op neem maatregelen om de oorzaak te voorkomen.
- Als u een zaagmachine die in het werkstuk steekt weer wilt starten, centreert u het zaagblad in de zaagsnede en controleert of de zaagtanden niet in het materiaal zijn vastgehaakt.** Als het zaagblad klemt, kan het uit het werkstuk bewegen of een terugslag veroorzaken als de zaagmachine opnieuw wordt gestart.
- Ondersteun grote platen om het risico van een terugslag door een klemmend zaagblad te beperken.** Grote platen kunnen onder hun eigen gewicht doorbuigen. Platen moeten aan beide zijden worden ondersteund, in de buurt van de zaagsnede en aan de rand.
- Gebruik geen stompe of beschadigde zaagbladen.** Zaagbladen met stompe of verkeerd gerichte tanden maken een te nauwe zaagsnede, wat leidt tot een verhoogde wrijving, vastklemmen van het zaagblad of terugslag.
- Zorg ervoor dat de instellingen voor de zaagdiepte en de zaaghoek voor het zagen vastgedraaid zijn.** Als tijdens het zagen de instellingen veranderen, kan het zaagblad vastklemmen kan een terugslag optreden.
- Wees extra voorzichtig bij het maken van een "invallende zaagsnede" in een bestaande wand of in een ander verborgen gedeelte.** Het invallende zaagblad kan voorwerpen raken waardoor een terugslag kan optreden.

## Veiligheidsvoorschriften voor cirkelzagen met buiten- of binnenpendulumbeschermkap en met trekbeschermkap

- Controleer voor elk gebruik of de onderste beschermkap correct sluit. Gebruik de zaagmachine niet als de onderste beschermkap niet vrij kan bewegen en niet onmiddellijk sluit. Klem of bind de onderste beschermkap nooit in de geopende stand vast.** Als de zaagmachine op de vloer valt, kan de onderste beschermkap worden verbogen. Open de beschermkap met de terugtrekkende en controleer of hij vrij beweegt en bij alle zaaghoeken en zaagdiepten het zaagblad of andere delen niet aanraakt.
- Controleer de functie van de veer voor de onderste beschermkap. Laat voor gebruik de beschermkap en de veer nakijken als zij niet naar behoren functioneren.** Door beschadigde delen, plakkende aanslag of ophoping van spanen kan de onderste beschermkap vertraagd functioneren.
- Open de onderste beschermkap alleen met de hand bij bijzondere zaagwerkzaamheden, zoals "invallend zagen" en "haaks zagen".** Open de onderste beschermkap met de terugtrekkende en laat hem los zodra het zaagblad in het werkstuk is binnengedrongen. Bij alle andere zaagwerkzaamheden moet de onderste beschermkap automatisch werken.
- Let er altijd op dat de onderste beschermkap het zaagblad bedekt voordat u de zaagmachine op een werkbank of op de vloer legt.** Een onbeschermd uitlopend zaagblad beweegt de zaagmachine tegen de zaagrichting en zaagt wat er in de weg komt. Let op de uitlooptijd van het zaagblad nadat de machine is uitgeschakeld.

## Aanvullende veiligheidsvoorschriften voor alle zagen met een spouwmes

- Gebruik het juiste spouwmes bij het toegepaste zaagblad.** Voor een juiste werking moet het spouwmes dikker zijn dan het zaagblad maar dunner dan de tandbreedte van het blad.
- Stel het spouwmes in zoals in deze gebruiksaanwijzing beschreven.** Verkeerde dikte, positie en uitlijning kunnen een reden zijn dat het spouwmes een terugslag niet effectief voorkomt.
- Gebruik altijd het spouwmes, behalve bij invallend zagen.** Breng het spouwmes na het invallend zagen weer aan. Het spouwmes stoot bij invallend zagen en kan een terugslag veroorzaken.
- Voor een juiste werking moet het spouwmes zich in het werkstuk bevinden.** Bij kort zagen is het spouwmes niet werkzaam ter voorkoming van een terugslag.
- Gebruik de zaagmachine niet met een verbogen spouwmes.** Slechts een geringe storing kan het sluiten van de beschermkap verlangsamen.

## Overige risico's

De volgende risico's zijn inherent aan het gebruik van zagen:

- Verwondingen veroorzaakt door het aanraken van bewegende onderdelen.

Zelfs met de toepassing van de relevante veiligheidsvoorschriften en de uitvoering van veiligheidsapparaten kunnen bepaalde overgebleven gevaren niet worden vermeden.

Dit zijn:

- Hoorbeschadiging.
- Risico op ongelukken veroorzaakt door onbedekte delen van het roterende zaagblad.
- Risico op letsel wanneer het zaagblad vervangen wordt.
- Risico op het afknijpen van vingers wanneer de beschermkappen worden geopend.
- Gezondheidsrisico's veroorzaakt door het inademen van stof dat ontstaat door het zagen van hout, met name eiken, beuken en MDF.

## Zaagbladen

- ◆ Gebruik geen zaagblad met een grotere of kleinere diameter dan is voorgeschreven. Voor de juiste specificaties van het zaagblad, zie technische gegevens. Gebruik alleen de bladen die in deze handleiding worden gespecificeerd en voldoen aan EN 847-1.
- ◆ **Waarschuwing!** Gebruik nooit slijpschijven.

## Veiligheid van anderen

- ◆ Dit apparaat is niet bedoeld voor gebruik door personen (inclusief kinderen) met beperkt lichamelijk, zintuigelijk of geestelijk vermogen, of gebrek aan ervaring en kennis, tenzij ze de supervisie of instructie is gegeven omtrent het gebruik van het apparaat door een persoon die verantwoordelijk is voor hun veiligheid.
- ◆ Houd toezicht op kinderen om te voorkomen dat zij met het apparaat gaan spelen.

## Vibratie

De verklaarde trillingsafgifte in het gedeelte van de technische gegevens / conformiteitsverklaring zijn gemeten volgens een standaard testmethode vastgesteld door EN 60745 en kan worden gebruikt om apparaten met elkaar te vergelijken. De verklaarde trillingsafgifte kan ook worden gebruikt in een voorlopige beoordeling van blootstelling.

**Waarschuwing!** De waarde van de trillingsafgifte tijdens daadwerkelijk gebruik van elektrisch gereedschap kan afwijken van de verklaarde waarde afhankelijk op wat voor manieren het apparaat wordt gebruikt. Het trillingsniveau kan toenemen boven het aangegeven niveau.

Bij het bepalen van de trillingsblootstelling ter vaststelling van de veiligheidsmaatregelen vereist door 2002/44/EG - ter bescherming van personen die werkmatic geregeld elektrisch gereedschap gebruiken - dient een inschatting van de trillingsblootstelling de feitelijke gebruikscondities en bedieningswijze in acht te nemen, inclusief alle onderdelen van de bedieningscyclus, zoals het uitschakelen van het apparaat en het onbelast laten lopen alsmede de trekkertijd.

## Labels op de machine

Op de machine vindt u de volgende pictogrammen:



**Waarschuwing!** De gebruiker moet de handleiding lezen om risico op letsel te verkleinen

## Elektrische veiligheid



Deze machine is dubbel geïsoleerd; een aardaansluiting is daarom niet noodzakelijk. Controleer altijd of uw netspanning overeenkomt met de waarde op het typeplaatje.

- ◆ Indien het netsnoer is beschadigd, dient het ter voorkoming van gevaren te worden vervangen door de fabrikant of een erkend servicecentrum.

## Onderdelen

1. Aan/uit-schakelaar
2. Ontgrendelingsknop
3. Hoofdhandgreep
4. Zijhandgreep
5. Instelhendel voor zaagdiepte
6. Schaalaanduiding voor zaagdiepte
7. Vergrendelingsknop voor instelling verstekhoek
8. Schaalaanduiding voor verstekhoek
9. Beschermkap voor zaagblad
10. Terugtrekhandel voor beschermkap zaagblad
11. Zaagschoen
12. Parallel-langsgelider
13. Spouwmes

## Assemblage

**Waarschuwing!** Zorg vóór aanvang van de volgende handelingen dat de machine is uitgeschakeld, de netstekker van het lichtnet is losgekoppeld en dat het zaagblad stil staat.

## Verwijderen en aanbrengen van een zaagblad (fig. A)

### Verwijderen

- ◆ Steek een schroevendraaier in het gat (14) om te voorkomen dat het zaagblad meedraait. U kunt ook de buitenste sluitring (15) met een 18 mm steeksleutel vasthouden.

- ◆ Draai de borgschroef (16) van het zaagblad los en verwijder de schroef door hem linksom te draaien met behulp van de meegeleverde inbussleutel (17).
- ◆ Verwijder de buitenste sluitring (15).
- ◆ Verwijder het zaagblad (18).

## Aanbrengen

- ◆ Plaats het zaagblad op de binnenste sluitring (19). Zorg ervoor dat de pijl op het zaagblad in dezelfde richting wijst als de pijl op de machine.
- ◆ Breng de buitenste sluitring (15) aan op de spil, met het verhoogde gedeelte van het zaagblad af.
- ◆ Steek de borgschroef (16) van het zaagblad in het gat.
- ◆ Steek een schroevendraaier in het gat (14) om te voorkomen dat het zaagblad meedraait. U kunt ook de buitenste sluitring (15) met een 18 mm steeksleutel vasthouden.
- ◆ Draai de borgschroef van het zaagblad goed vast door hem rechtsom te draaien met behulp van de meegeleverde inbussleutel (17).
- ◆ Stel het spouwmes in zoals hieronder beschreven.

## Instellen van het spouwmes (fig. B)

Het spouwmes voorkomt dat het zaagblad tijdens schulpzaaghandelingen vastloopt. Het spouwmes moet na elke zaagbladverwisseling opnieuw ingesteld worden.

- ◆ Draai de schroef (20) los.
- ◆ Positioneer het spouwmes (13) zoals afgebeeld.
  - De afstand tussen de zaagtanden en het spouwmes moet 2 - 3 mm bedragen.
  - Het hoogteverschil tussen de zaagtanden en de onderkant van het spouwmes moet 2 - 3 mm bedragen.
- ◆ Draai de schroef (20) vast.

## Aanbrengen en verwijderen van de parallel-langsgeleider (fig. E)

De parallel-langsgeleider wordt gebruikt om in een rechte lijn, parallel aan de rand van het werkstuk, te kunnen zagen.

### Aanbrengen

- ◆ Draai de vergrendelingsknop (21) los.
- ◆ Steek de parallel-langsgeleider (12) door de openingen (22).
- ◆ Schuif de parallel-langsgeleider naar de gewenste stand.
- ◆ Draai de vergrendelingsknop vast.

### Verwijderen

- ◆ Draai de vergrendelingsknop (21) los.
- ◆ Trek de parallel-langsgeleider van de machine.

## Gebruik

**Waarschuwing!** Laat de machine op haar eigen tempo werken. Niet overbelasten.

Deze machine kan zowel in de linker- als de rechterhand worden gebruikt.

**Waarschuwing!** Geleid de kabel zorgvuldig om te voorkomen dat u deze per ongeluk doorsnijdt.

## Instellen van de zaagdiepte (fig. D)

De zaagdiepte moet worden ingesteld afhankelijk van de dikte van het werkstuk. De zaagdiepte moet ongeveer 2 mm groter zijn dan de dikte van het werkstuk.

- ◆ Draai de vergrendelingsknop (5) los om de zaagschoen te ontgrendelen.
- ◆ Beweeg de zaagschoen (11) naar de gewenste stand. De overeenkomstige zaagdiepte kan worden afgelezen van de schaal aanduiding (6).
- ◆ Draai de vergrendelingsknop vast om de zaagschoen op zijn plaats vast te zetten.

## Instelling van de verstekhoek (fig. E)

Deze machine kan worden ingesteld op verstekhoeken tussen 0° en 45°.

- ◆ Draai de vergrendelingsknop (7) los om de zaagschoen te ontgrendelen.
- ◆ Beweeg de zaagschoen (11) naar de gewenste stand. De overeenkomstige verstekhoek kan worden afgelezen van de schaal aanduiding (8).
- ◆ Draai de vergrendelingsknop vast om de zaagschoen op zijn plaats vast te zetten.

## Aan- en uitschakelen

**Waarschuwing!** Zorg ervoor dat de inbussleutel uit de borgschroef van het zaagblad is verwijderd voordat u de machine inschakelt.

### Inschakelen

- ◆ Houd de ontgrendelingsknop (2) ingedrukt en druk de aan/uit-schakelaar (1) in.
- ◆ Laat de ontgrendelingsknop los.

### Uitschakelen

- ◆ Laat de aan/uit-schakelaar los.

## Uitlijnen van de zaag met de zaaglijn (fig. F)

De zaag is uitgerust met twee geleiders voor recht zagen (23) en twee geleiders voor het zagen van verstekhoeken van 45° (24).

- ◆ Breng de linkerrand van de geleiders (23) of (24) op één lijn met de zaaglijn (25).

Voor zeer nauwkeurige zaagsneden:

- ◆ Teken een zaaglijn op een stukje afvalhout.
- ◆ Breng de linkerrand van de geleiders (23) of (24) op één lijn met de zaaglijn (25).

- ◆ Maak een proefzaagsnede.
- ◆ Stel de stand van de geleiders ten opzichte van de zaaglijn opnieuw in, afhankelijk van de resultaten van deze proef.

### Stofafzuiging (fig. G)

Om een stofzuiger op het gereedschap aan te sluiten, is een tussenstuk nodig. Dit tussenstuk is verkrijgbaar bij uw plaatselijke Black & Decker verkooppunt.

- ◆ Plaats het tussenstuk voor het stofafzuigen in de stofafzuigaansluiting (26).
- ◆ Sluit de stofzuigerslang aan op de adapter.

### Tips voor optimaal gebruik

- ◆ Omdat er langs de zaaglijn aan de bovenzijde van het werkstuk altijd enige houtversplintering zal ontstaan, kunt u het beste zagen aan de zijde waar versplintering aanvaardbaar is.
- ◆ Als versplintering geminimaliseerd moet worden, zoals bij het verzagen van laminaten, kunt u een stuk triplex bovenop het werkstuk vastklemmen.

### Accessoires

De prestaties van uw machine hangen af van welke accessoire u gebruikt. Black & Decker en Piranha accessoires zijn ontwikkeld om te voldoen aan hoge kwaliteitseisen en ontworpen om de prestaties van uw machine te verbeteren. Met behulp van deze accessoires haalt u het beste uit uw machine.

### Onderhoud

Uw Black & Decker machine met/zonder snoer is ontworpen om gedurende langere periode te functioneren met een minimum aan onderhoud. Voortdurend tevreden gebruik is afhankelijk van correct onderhoud en regelmatig schoonmaken.

**Waarschuwing!** Vóór aanvang van onderhoudswerkzaamheden aan apparaten met/zonder snoer:

- ◆ Schakel het apparaat / de machine uit en haal de stekker uit het stopcontact.
- ◆ Of schakel het apparaat / de machine uit of verwijder de accu van het apparaat / de machine indien het apparaat / de machine een aparte accu heeft.
- ◆ Of laat de accu volledig leeglopen indien de accu geïntegreerd is en schakel vervolgens uit.
- ◆ Haal voor het reinigen van de oplader de stekker uit het stopcontact. Uw oplader behoeft geen ander onderhoud dan een regelmatige reiniging.
- ◆ Reinig regelmatig de ventilatieopeningen van uw apparaat/machine/oplader met behulp van een zachte borstel of een droge doek.

- ◆ Reinig regelmatig de behuizing van de motor met een vochtige doek. Gebruik geen schuur- of oplosmiddel bij het reinigen.
- ◆ Open regelmatig de boorhouder en tik zachtjes om eventueel stof uit de binnenkant te verwijderen (indien aanwezig).

### Milieu



Gescheiden inzameling. Dit product mag niet met het gewone huishoudelijke afval worden weggegooid.

Wanneer uw oude Black & Decker-product aan vervanging toe is of het u niet langer van dienst kan zijn, gooi het dan niet bij het huishoudelijk afval. Zorg ervoor dat het product gescheiden kan worden ingezameld.



Door gebruikte producten en verpakkingen gescheiden in te zamelen, worden de materialen gerecycled en opnieuw gebruikt. Hergebruik van gerecyclede materialen voorkomt milieuvuiling en vermindert de vraag naar grondstoffen.

Inzamelpunten voor gescheiden inzameling van elektrische huishoudproducten bij gemeentelijke vuilnisbergen of bij de verkoper waar u een nieuw product koopt, kunnen aan plaatselijke voorschriften gebonden zijn.

Black & Decker biedt de mogelijkheid tot inzamelen en recyclen van afgedankte Black & Decker producten.

Om gebruik van deze service te maken, dient u het product aan een van onze servicecentra te sturen, die voor ons de inzameling verzorgen.

U kunt het adres van het dichtstbijzijnde servicecentrum opvragen via de adressen op de achterzijde van deze handleiding. U kunt ook een lijst van onze servicecentra en meer informatie m.b.t. onze klantenservice vinden op het volgende Internet-adres: [www.2helpU.com](http://www.2helpU.com)

### Technische gegevens

	KS40 TYPE 1
Spanning	V <sub>AC</sub> 230
Opgenomen vermogen	W 710
Onbelast toerental	min <sup>-1</sup> 4.100
Max. freesdiepte	mm 40
Zaagbladdiameter	mm 140
Asgat	mm 12,7
Breedte van de zaagbladpunten	mm 2,4
Gewicht	kg 2,7

**Niveau van de geluidsdruk, gemeten volgens EN 60745:**

Geluidsdruk ( $L_{pA}$ ) 95,2 dB(A), onzekerheid (K) 3 dB(A)

Geluidsvermogen ( $L_{WA}$ ) 106,2 dB(A), onzekerheid (K) 3 dB(A)

**Totale trillingswaarden (triaxiale vectorsom) volgens EN 60745:**

Trillingsafgifte ( $a_h$ ) ( $a_x$ ) 1,359 m/s<sup>2</sup>, onzekerheid (K) 1,5 m/s<sup>2</sup>

**EG-conformiteitsverklaring**

MACHINERICTLIJN



Black & Decker verklaart dat deze producten, zoals onder "technische gegevens" beschreven, overeenkomstig zijn met: 98/37/EG (tot 28 dec. 2009), 2006/42/EG (vanaf 29 dec. 2009), EN 60745-1, EN 60745-2-5

Neem voor meer informatie contact op met Black & Decker via het volgende adres of zie de achterzijde van de handleiding.

De ondergetekende is verantwoordelijk voor de samenstelling van de technische gegevens en geeft deze verklaring namens Black & Decker.

Kevin Hewitt  
Vice-President Global Engineering  
Black & Decker Europe, 210 Bath Road, Slough,  
Berkshire, SL1 3YD  
Verenigd Koninkrijk  
1-10-2009

**Garantie**

Black & Decker heeft vertrouwen in zijn producten en biedt een uitstekende garantie. Deze garantiebepalingen vormen een aanvulling op uw wettelijke rechten en beperken deze niet. De garantie geldt in de lidstaten van de Europese Unie en de Europese Vrijhandelsassociatie.

Mocht uw Black & Decker product binnen 24 maanden na datum van aankoop defect raken tengevolge van materiaal- of constructiefouten, dan garanderen wij de kosteloze vervanging van defecte onderdelen, de reparatie van het product of de vervanging van het product, tenzij:

- ◆ Het product is gebruikt voor handelsdoeleinden, professionele toepassingen of verhuurdoeleinden;
- ◆ Het product onoordeelkundig is gebruikt;
- ◆ Het product is beschadigd door invloeden van buitenaf of door een ongeval;
- ◆ Reparaties zijn uitgevoerd door anderen dan onze servicecentra of Black & Decker personeel.

Om een beroep op de garantie te doen, dient u een aankoopbewijs te overhandigen aan de verkoper of een van onze servicecentra. U kunt het adres van het dichtstbijzijnde servicecentrum opvragen via de adressen op de achterzijde van deze handleiding. U kunt ook een lijst van onze servicecentra en meer informatie m.b.t. onze klantenservice vinden op het volgende Internet-adres: **www.2helpU.com**

Meld u aan op onze website **www.blackanddecker.nl** om te worden geïnformeerd over nieuwe producten en speciale aanbiedingen. Verdere informatie over het merk Black & Decker en onze producten vindt u op **www.blackanddecker.nl**



## Finalidad

La sierra Black & Decker se ha diseñado para serrar madera y derivados de la madera. Esta herramienta está pensada únicamente para uso doméstico.

## Instrucciones de seguridad

### Advertencias de seguridad generales para herramientas eléctricas



**¡Atención! Lea todas las advertencias e instrucciones de seguridad.** En caso de no respetarse las advertencias e instrucciones indicadas a continuación, podría producirse una descarga eléctrica, incendio y/o lesión grave.

**Conserve todas las advertencias e instrucciones para su posterior consulta.** El término "herramienta eléctrica" empleado en las advertencias indicadas a continuación se refiere a la herramienta eléctrica con alimentación de red (con cable) o alimentada por pila (sin cable).

1. **Seguridad del área de trabajo**
  - a. **Mantenga limpia y bien iluminada el área de trabajo.**  
El desorden o una iluminación deficiente en las áreas de trabajo pueden provocar accidentes.
  - b. **No utilice la herramienta eléctrica en un entorno con peligro de explosión, en el que se encuentren combustibles líquidos, gases o material en polvo.**  
Las herramientas eléctricas producen chispas que pueden llegar a inflamar los materiales en polvo o vapores.
  - c. **Mantenga alejados a los niños y otras personas del área de trabajo al emplear la herramienta eléctrica.**  
Una distracción le puede hacer perder el control sobre la herramienta.
2. **Seguridad eléctrica**
  - a. **El enchufe de la herramienta eléctrica debe corresponder a la toma de corriente utilizada. No es admisible modificar el enchufe en forma alguna. No emplee adaptadores en herramientas eléctricas dotadas con una toma de tierra.** Los enchufes sin modificar adecuados a las respectivas tomas de corriente reducen el riesgo de una descarga eléctrica.
  - b. **Evite que su cuerpo toque partes conectadas a tierra como tuberías, radiadores, cocinas y refrigeradores.** El riesgo a quedar expuesto a una descarga eléctrica es mayor si su cuerpo tiene contacto con tierra.
  - c. **No exponga las herramientas eléctricas a la lluvia y evite que penetren líquidos en su interior.** Existe el peligro de recibir una descarga eléctrica si penetran ciertos líquidos en la herramienta eléctrica.
3. **Seguridad personal**
  - a. **Esté atento a lo que hace y emplee la herramienta eléctrica con prudencia. No utilice la herramienta eléctrica si estuviese cansado, ni tampoco después de haber consumido alcohol, drogas o medicamentos.** El no estar atento durante el uso de una herramienta eléctrica puede provocarle serias lesiones.
  - b. **Utilice equipos de protección personal. Lleve siempre protección ocular.** Los equipos de protección tales como una mascarilla antipolvo, zapatos de seguridad con suela antideslizante, casco o protectores auditivos, utilizados en condiciones adecuadas, contribuyen a reducir las lesiones personales.
  - c. **Evite una puesta en marcha involuntaria. Asegúrese de que el interruptor esté en la posición de apagado antes de conectar a la fuente de alimentación o la batería, coger o transportar la herramienta.** Si se transportan herramientas eléctricas con el dedo sobre el interruptor o si se enchufan con el interruptor encendido puede dar lugar a accidentes.
  - d. **Retire las herramientas de ajuste o llaves fijas antes de conectar la herramienta eléctrica.** Una herramienta o llave colocada en una pieza giratoria de la herramienta eléctrica puede producir lesiones al ponerse a funcionar.
  - e. **Sea precavido. Evite adoptar una posición que fatigue su cuerpo; mantenga un apoyo firme sobre el suelo y conserve el equilibrio en todo momento.** Ello le permitirá controlar mejor la herramienta eléctrica en caso de presentarse una situación inesperada.
  - f. **Lleve puesta una vestimenta de trabajo adecuada. No lleve vestidos anchos ni joyas. Mantenga su pelo, vestimenta y guantes alejados de las piezas móviles.** La vestimenta suelta, las joyas y el pelo largo se pueden enganchar con las piezas en movimiento.
- d. **Cuide el cable eléctrico. No utilice el cable eléctrico para transportar o colgar la herramienta eléctrica, ni tire de él para sacar el enchufe de la toma de corriente. Mantenga el cable eléctrico alejado del calor, aceite, bordes afilados o piezas móviles.** Los cables eléctricos dañados o enredados pueden provocar una descarga eléctrica.
- e. **Al trabajar con la herramienta eléctrica en la intemperie utilice solamente cables alargadores homologados para su uso en exteriores.** La utilización de un cable alargador adecuado para su uso en exteriores reduce el riesgo de una descarga eléctrica.
- f. **Si fuera inevitable la utilización de una herramienta eléctrica en un lugar húmedo, utilice un suministro protegido con un dispositivo de corriente residual (RCD).** La utilización de un dispositivo de corriente residual reduce el riesgo de descarga eléctrica.

- g. **Siempre que sea posible utilizar unos equipos de aspiración o captación de polvo, asegúrese que éstos estén montados y que sean utilizados correctamente.**

El empleo de equipos de recogida de polvo reduce los riesgos derivados del polvo.

4. **Uso y cuidado de herramientas eléctricas**

- a. **No sobrecargue la herramienta eléctrica. Use la herramienta eléctrica prevista para el trabajo a realizar.** Con la herramienta eléctrica adecuada podrá trabajar mejor y más seguro dentro del margen de potencia indicado.
- b. **No utilice herramientas eléctricas con un interruptor defectuoso.** Las herramientas eléctricas que no se puedan conectar o desconectar son peligrosas y deben hacerse reparar.
- c. **Desconecte el enchufe de la fuente eléctrica y/o la batería de la herramienta eléctrica antes de realizar ajustes, cambiar accesorios o almacenar la herramienta eléctrica.** Esta medida preventiva reduce el riesgo de conectar accidentalmente la herramienta eléctrica.
- d. **Guarde las herramientas eléctricas fuera del alcance de los niños y de las personas que no estén familiarizadas con su uso.** Las herramientas eléctricas utilizadas por personas inexpertas son peligrosas.
- e. **Cuide sus herramientas eléctricas con esmero.** Controle si funcionan correctamente, sin atascarse, las partes móviles de la herramienta eléctrica, y si existen partes rotas o deterioradas que pudieran afectar al funcionamiento de la herramienta. Si la herramienta eléctrica estuviese defectuosa haga que la reparen antes de volver a utilizarla. Muchos accidentes se deben a herramientas eléctricas con un mantenimiento deficiente.
- f. **Mantenga las herramientas de corte limpias y afiladas.** Las herramientas de corte mantenidas correctamente se dejan guiar y controlar mejor.
- g. **Utilice la herramienta eléctrica, los accesorios y las puntas de la herramienta, etc. de acuerdo a estas instrucciones, teniendo en cuenta las condiciones de trabajo y la tarea a realizar.** El uso de herramientas eléctricas para trabajos diferentes de aquellos para los que han sido concebidas puede resultar peligroso.

5. **Servicio técnico**

- a. **Haga reparar su herramienta eléctrica sólo por personal técnico autorizado que emplee exclusivamente piezas de repuesto originales.** Solamente así se garantiza la seguridad de la herramienta eléctrica.

**Advertencias de seguridad adicionales para herramientas eléctricas**



¡Atención! Advertencias de seguridad adicionales para sierras

- a. **Mantenga las manos alejadas del área de corte y de la hoja de sierra. Sujete con la otra mano la empuñadura auxiliar o la carcasa del motor.** Si la sierra se sujeta con ambas manos, éstas no pueden lesionarse con la hoja de sierra.
- b. **No toque por debajo de la pieza de trabajo.** La protección no le protege del contacto con la hoja de sierra por la parte inferior de la pieza de trabajo.
- c. **Ajuste la profundidad de corte al espesor de la pieza de trabajo.** Debe verse menos de un diente completo de los dientes de la hoja por debajo de la pieza de trabajo.
- d. **Nunca sujete la pieza de trabajo con las manos o colocándola sobre sus piernas. Fije la pieza de trabajo sobre una base de asiento estable.** Es importante que la pieza de trabajo quede bien sujeta para reducir el riesgo a accidentarse, a que se atasque la hoja de sierra, o a perder el control sobre la herramienta.
- e. **Sujete la herramienta eléctrica únicamente por las empuñaduras aisladas al realizar trabajos en los que la herramienta de corte pueda tocar cables eléctricos ocultos o su propio cable.** El contacto con cables con corriente puede hacer que las partes metálicas al descubierto de la herramienta eléctrica provoquen una descarga al usuario.
- f. **Al realizar cortes en paralelo utilice siempre una guía rectilínea, o una guía de borde recto.** Esto permite un corte más preciso y además reduce el riesgo a que se atasque la hoja de sierra.
- g. **Utilice siempre hojas de sierra del tamaño correcto y con la forma de orificio adecuada (p. ej. en forma de diamante o redonda).** Las hojas de sierra que no correspondan a los elementos de montaje de ésta, giran excéntricas y pueden hacerle perder el control sobre la sierra.
- h. **Nunca utilice arandelas o un perno de la hoja de sierra dañados o incorrectos.** Las arandelas y el perno de la hoja de sierra han sido especialmente diseñados para obtener unas prestaciones y seguridad de trabajo máximas.

**Instrucciones de seguridad adicionales para todas las sierras**

Causas y prevención del retroceso de la sierra:

- ◆ el retroceso es una fuerza de reacción brusca que se provoca al engancharse, atascarse o guiarse incorrectamente la hoja de sierra, lo que hace que la sierra se salga de forma incontrolada de la pieza de trabajo y resulte impulsada hacia el usuario;
- ◆ si la hoja de sierra se engancha o atasca al cerrarse la ranura de corte, la hoja de sierra se bloquea y la reacción del motor hace que la unidad resulte impulsada hacia el usuario;
- ◆ si la hoja de sierra se gira lateralmente o se desalinea, los dientes de la parte posterior de la hoja de sierra pueden engancharse en la cara superior de la pieza de trabajo haciendo que la hoja de sierra se salga de la ranura de corte, y salga despedida hacia atrás en dirección al usuario.

El retroceso se debe a la utilización inadecuada y/o procedimientos o condiciones de trabajo incorrectos y puede evitarse tomando las precauciones que se detallan a continuación.

- a. **Sujete firmemente la sierra con ambas manos manteniendo los brazos en una posición que le permita oponerse a la fuerza de retroceso. Mantenga el cuerpo a un lado de la hoja de sierra; nunca se coloque en línea con ésta.** El retroceso puede hacer que la sierra salte hacia atrás, pero el usuario puede hacer frente a esta fuerza de retroceso siempre que haya tomado las precauciones adecuadas.
- b. **Cuando la hoja de sierra se atasca, o en caso de tener que interrumpir un corte por cualquier otro motivo, suelte el gatillo manteniendo inmóvil la sierra y espere a que se haya detenido completamente la hoja. Nunca intente sacar la sierra de la pieza de trabajo o tirar de ella hacia atrás mientras esté funcionando la hoja de sierra, puesto que podría producirse el retroceso.** Investigue y subsane convenientemente la causa del atasco de la hoja de sierra.
- c. **Para continuar serrando en la pieza de trabajo, centre primero la hoja de sierra en la ranura y compruebe que los dientes de sierra no toquen la pieza de trabajo.** Si la hoja de sierra está atascada, la sierra puede llegar a salirse de la pieza de trabajo o retroceder al ponerse en marcha.
- d. **Apoye los tableros grandes para evitar el riesgo de retroceso o atasco de la hoja de sierra.** Los tableros grandes pueden moverse por su propio peso. Los tableros deberán ser apoyados a ambos lados, tanto cerca de la línea de corte como al borde de los mismos.

- e. **No utilice hojas de sierra melladas ni dañadas.** Las hojas de sierra sin afilar o incorrectamente ajustadas producen una ranura de corte demasiado estrecha, lo que provoca una fricción excesiva y el atasco o retroceso de la hoja de sierra.
- f. **Apretete firmemente las palancas de bloqueo de ajuste de la profundidad y ángulo de bisel antes de comenzar un corte.** Si la sierra llegase a desajustarse durante un corte, esto podría provocar que la hoja de sierra se atasque y retroceda.
- g. **Preste especial atención al realizar un "corte por inmersión" en tabiques u otros materiales de composición desconocida.** Al penetrar, la hoja de sierra puede cortar objetos ocultos que pueden provocar el retroceso.

**Instrucciones de seguridad para sierras circulares con protecciones de péndulo exterior o interior y con protección de tracción**

- a. **Antes de su uso, compruebe que la protección inferior cierre correctamente. No utilice la sierra si la protección inferior no gira libremente o no se cierra de forma instantánea. No fije ni bloquee la protección inferior para mantenerla abierta.** Si la sierra se cae accidentalmente puede que se deforme la protección inferior. Levante la protección inferior con el mango de retracción y asegúrese de que se mueva libremente sin que llegue a tocar la hoja de sierra ni otras partes en cualquiera de los ángulos y profundidades de corte.
- b. **Compruebe el funcionamiento del muelle de la protección inferior. Si la protección y el muelle no funcionan correctamente, deben repararse antes de su uso.** Las piezas deterioradas, el material adherido pegajoso, o las virutas acumuladas pueden hacer que la protección inferior se mueva con dificultad.
- c. **Abra manualmente la protección inferior únicamente al realizar cortes especiales como "cortes por inmersión" o "cortes compuestos". Levante la protección inferior con el mango de retracción y suéltela en el momento en que la hoja de sierra haya llegado a penetrar en el material.** En todos los demás trabajos la protección deberá funcionar automáticamente.
- d. **No deposite la sierra sobre una base si la protección inferior no cubre la hoja de sierra.** Una hoja de sierra sin proteger, que no esté completamente detenida, hace que la sierra salga despedida hacia atrás, cortando todo lo que encuentra a su paso. Considere el tiempo de marcha por inercia hasta la detención de la sierra.

## Instrucciones de seguridad adicionales para todas las sierras con abridor

- Utilice el abridor apropiado para la hoja de sierra empleada.** El abridor deberá ser más grueso que el cuerpo de la hoja, pero más fino que el ancho del diente de la hoja de sierra.
- Ajuste el abridor de la forma indicada en este manual de instrucciones.** Una separación, posición o alineación incorrectas pueden ser la causa de que el abridor no pueda evitar el retroceso.
- Utilice siempre el abridor, excepto en los cortes por inmersión.** Vuelva a montar el abridor después de haber realizado un corte por inmersión. El abridor entorpece la ejecución de cortes por inmersión y puede provocar el retroceso de la sierra.
- Para que el abridor cumpla su función, éste deberá estar acoplado en la pieza de trabajo.** Al realizar cortes pequeños, el abridor no resulta eficaz para evitar el retroceso.
- No utilice la sierra si el abridor está deformado.** Incluso una ligera deformación puede provocar que la protección se cierre más lentamente.

## Riesgos residuales

Los siguientes riesgos son inherentes al uso de las sierras:

- Las lesiones provocadas por el contacto con piezas giratorias.

Incluso con la aplicación de los reglamentos de seguridad correspondientes y la implementación de los dispositivos de seguridad, no pueden evitarse ciertos riesgos residuales.

Son los siguientes:

- Problemas de audición.
- Riesgo de accidentes causados por las partes al descubierto de la hoja de sierra giratoria.
- Riesgo de lesiones al cambiar la hoja.
- Riesgo de pillarse los dedos al abrir las protecciones.
- Riesgos de salud causados por la inhalación de polvo generado al serrar madera, especialmente roble, haya y MDF.

## Hojas de sierra

- ◆ No utilice hojas con un diámetro superior o inferior al recomendado. Consulte los datos técnicos en relación con las especificaciones adecuadas de la hoja. Utilice sólo las hojas que se especifican en este manual, que cumplen la norma EN 847-1.
- ◆ **¡Atención!** Nunca utilice discos abrasivos.

## Seguridad de otras personas

- ◆ Este aparato no está destinado para ser utilizado por personas (niños incluidos) con capacidades físicas, sensoriales o mentales reducidas, o que carezcan de experiencia y conocimiento, a menos que reciban supervisión o instrucción respecto al uso del aparato por una persona responsable de su seguridad.
- ◆ Debe vigilarse a los niños para asegurarse de que no jueguen con el aparato.

## Vibración

Los valores declarados de emisión de vibración indicados en los datos técnicos y la declaración de conformidad se han medido de acuerdo a un método de prueba estándar contemplado por la EN 60745 y puede utilizarse para comparar una herramienta con otra. El valor declarado de emisión de vibración también puede utilizarse en una evaluación preliminar de exposición.

**¡Atención!** El valor de emisión de vibración durante el uso real de la herramienta eléctrica puede variar del valor declarado en función del modo de utilización de la herramienta. El nivel de vibración puede aumentar por encima del valor indicado.

Cuando se evalúe la exposición a la vibración con el fin de determinar las medidas de seguridad exigidas por la 2002/44/CE para proteger a las personas que utilizan herramientas eléctricas en su empleo con regularidad, una estimación de la exposición a la vibración debe considerar las condiciones reales de uso y la forma en que se utiliza la herramienta, teniendo en cuenta incluso todas las partes del ciclo de trabajo como los momentos en que la herramienta se apaga y cuando está conectada sin funcionar además del tiempo de accionamiento.

## Etiquetas sobre la herramienta

En la herramienta se indican los siguientes pictogramas:



**¡Atención!** Para reducir el riesgo de lesiones, el usuario debe leer el manual de instrucciones.

## Seguridad eléctrica



La herramienta lleva un doble aislamiento; por lo tanto no requiere una toma a tierra. Compruebe siempre que el suministro eléctrico corresponda con la tensión indicada en la placa de datos.

- ◆ Si el cable eléctrico está estropeado, debe ser sustituido por el fabricante o un servicio técnico autorizado de Black & Decker con el fin de evitar accidentes.

## Características

1. Interruptor de encendido/apagado
2. Botón de desbloqueo
3. Empuñadura principal
4. Empuñadura lateral
5. Palanca de ajuste de profundidad de corte
6. Escala de profundidad de corte
7. Pomo de bloqueo para ajuste del ángulo de inglete
8. Escala de ángulo de inglete
9. Protección de hoja de sierra
10. Palanca retractora para el protector de hoja de sierra
11. Soporte de sierra
12. Guía paralela
13. Abridor

## Montaje

**¡Atención!** Antes de intentar realizar cualquiera de las operaciones siguientes, asegúrese de que la herramienta esté desconectada y desenchufada, así como de que la hoja de sierra se haya detenido.

## Retirada e instalación de una hoja de sierra (fig. A)

### Desmontaje

- ◆ Introduzca un destornillador en el orificio (14) para impedir que gire la hoja de sierra. A su vez, sujete la arandela exterior (15) por medio de una llave de 18 mm.
- ◆ Afloje y retire el tornillo de sujeción de la hoja (15) girándolo a izquierdas con la llave Allen (17) suministrada.
- ◆ Retire la arandela exterior (15)
- ◆ Retire la hoja de sierra (18).

### Montaje

- ◆ Coloque la hoja de sierra sobre la arandela interior (19), comprobando que la flecha de la hoja apunta en la misma dirección que la flecha de la herramienta.
- ◆ Fije la arandela exterior (15) sobre el eje, con la parte elevada apuntando lejos de la hoja de sierra.
- ◆ Inserte el tornillo de sujeción de la hoja (16) en el orificio.
- ◆ Introduzca un destornillador en el orificio (14) para impedir que gire la hoja de sierra. A su vez, sujete la arandela exterior (15) por medio de una llave de 18 mm.
- ◆ Apriete con firmeza el tornillo de sujeción de la hoja girándolo a derechas con la llave Allen (17) suministrada.
- ◆ Ajuste el abridor de la forma que se describe a continuación.

## Ajuste del abridor (fig. B)

El abridor evita que la hoja de sierra se atasque durante las operaciones de serrado. El abridor debe ajustarse después de sustituir la hoja de sierra.

- ◆ Afloje el tornillo (20).

- ◆ Coloque el abridor (13) según se indica.
  - La distancia entre la corona dentada y el abridor debe ser 2 - 3 mm.
  - La diferencia de altura entre la corona dentada y el extremo inferior del abridor debe ser 2 - 3 mm.
- ◆ Apriete el tornillo (20).

## Montaje y desmontaje de la cerca paralela (fig. E)

La cerca paralela se usa para serrar recto en paralelo al borde de la pieza de trabajo.

### Montaje

- ◆ Afloje el pomo de bloqueo (21).
- ◆ Introduzca la guía paralela (12) a través de las aberturas (22).
- ◆ Deslice la guía paralela a la posición deseada.
- ◆ Apriete el pomo de bloqueo.

### Desmontaje

- ◆ Afloje el pomo de bloqueo (21).
- ◆ Extraiga la guía paralela de la herramienta.

## Uso

**¡Atención!** Deje que la herramienta funcione a su ritmo. No lo sobrecargue.

Esta herramienta se puede utilizar con la mano derecha o con la izquierda.

**¡Atención!** Guíe con cuidado el cable para evitar que se corte de manera accidental

## Ajuste de la profundidad de corte (fig. D)

La profundidad de corte debe ajustarse según el grosor de la pieza de trabajo. Deberá superar el grosor en 2 mm aproximadamente.

- ◆ Afloje el pomo de bloqueo (5) para desbloquear la base de la sierra.
- ◆ Mueva la base de la sierra (11) a la posición deseada. La profundidad de corte correspondiente se puede leer en la escala (6).
- ◆ Apriete el pomo de bloqueo para bloquear en su posición la base de la sierra.

## Ajuste del ángulo de inglete (fig. E)

Esta herramienta se puede ajustar para corte de ángulos de inglete entre 0° y 45°.

- ◆ Afloje el pomo de bloqueo (7) para desbloquear la base de la sierra.
- ◆ Mueva la base de la sierra (11) a la posición deseada. El ángulo de inglete correspondiente se puede leer en la escala (8).

- ◆ Apriete el pomo de bloqueo para bloquear en su posición la base de la sierra.

## Encendido y apagado

**¡Atención!** Antes de encender la máquina, asegúrese de que se ha retirado la llave Allen del tornillo de sujeción de la hoja.

### Encendido

- ◆ Mantenga presionado el botón de desbloqueo (2) y pulse el interruptor de encendido/apagado.
- ◆ Suelte el botón de desbloqueo.

### Apagado

- ◆ Suelte el interruptor de encendido/apagado.

## Alinee la sierra con la línea de corte (fig. F)

La sierra está provista de 2 guías para cortes rectos (23) y 2 guías para cortes de ingletes de 45° (24).

- ◆ Alinee el borde izquierdo de las guías (23) o (24) con la línea de corte (25).

Para cortes muy precisos:

- ◆ Trace una línea de corte en un trozo de madera de recorte.
- ◆ Alinee el borde izquierdo de las guías (23) o (24) con la línea de corte (25).
- ◆ Realice un corte de prueba.
- ◆ En función de los resultados, ajuste la posición de las guías en relación con la línea de corte.

## Extracción del polvo (fig. G)

Para poder conectar un aspirador o extractor de polvo a la herramienta, se requiere un adaptador. El adaptador se puede adquirir en su distribuidor local de Black & Decker.

- ◆ Introduzca el adaptador para extracción de polvo en la salida de polvo de la sierra (26).
- ◆ Conecte el tubo flexible del aspirador al adaptador.

## Consejos para un uso óptimo

- ◆ Ya que no se podrá evitar algo de astillamiento a lo largo de la línea de corte de la parte superior de la pieza de trabajo, corte por la parte en la que el astillamiento sea aceptable.
- ◆ En los casos en los que haya de reducirse al mínimo el astillamiento, por ejemplo, cuando se corten láminas, fije un trozo de contrachapado a la parte superior de la pieza de trabajo.

## Accesorios

El rendimiento de la herramienta dependerá del accesorio utilizado. Los accesorios de Black & Decker y Piranha están fabricados según las más altas normas de calidad para ampliar el rendimiento de la herramienta. Utilizando estos accesorios, logrará aprovechar al máximo la herramienta.

## Mantenimiento

El aparato/la herramienta Black & Decker con cable/sin cable se ha diseñado para funcionar durante un largo periodo de tiempo con un mantenimiento mínimo. El funcionamiento satisfactorio continuado depende de un cuidado apropiado y una limpieza periódica de la herramienta.

**¡Atención!** Antes de realizar tareas de mantenimiento en herramientas eléctricas con/sin cable:

- ◆ Apague y desenchufe el aparato/la herramienta.
- ◆ O apague y retire la batería del aparato/la herramienta si el aparato/la herramienta tiene una batería aparte.
- ◆ O agote totalmente la batería si está integrada y, a continuación, apague.
- ◆ Desenchufe el cargador antes de limpiarlo. Su cargador no requiere ningún mantenimiento aparte de una limpieza periódica.
- ◆ Limpie periódicamente las ranuras de ventilación del aparato/la herramienta/el cargador con un cepillo suave o un paño seco.
- ◆ Limpie periódicamente la carcasa del motor con un paño húmedo. No utilice ninguna sustancia limpiadora abrasiva o que contenga disolventes.
- ◆ Abra periódicamente el portabrocas y golpéelo suavemente para extraer el polvo del interior (si está equipado).

## Protección del medio ambiente



Separación de desechos. Este producto no debe desecharse con la basura doméstica normal.

Si llega el momento de reemplazar su producto Black & Decker o éste ha dejado de tener utilidad para usted, no lo deseche con la basura doméstica normal. Asegúrese de que este producto se deseche por separado.



La separación de desechos de productos usados y embalajes permite que los materiales puedan reciclarse y reutilizarse. La reutilización de materiales reciclados ayuda a evitar la contaminación medioambiental y reduce la demanda de materias primas.

La normativa local puede prever la separación de desechos de productos eléctricos de uso doméstico en centros municipales de recogida de desechos o a través del distribuidor cuando adquiere un nuevo producto.

Black & Decker proporciona facilidades para la recogida y el reciclado de los productos Black & Decker que hayan llegado al final de su vida útil. Para hacer uso de este servicio, devuelva su producto a cualquier servicio técnico autorizado, que lo recogerá en nuestro nombre.

Pueden consultar la dirección de su servicio técnico más cercano poniéndose en contacto con la oficina local de Black & Decker en la dirección que se indica en este manual. Como alternativa, puede consultar en Internet la lista de servicios técnicos autorizados e información completa de nuestros servicios de posventa y contactos en la siguiente dirección: [www.2helpU.com](http://www.2helpU.com)

**Características técnicas**

	<b>KS40 TYPE 1</b>
Voltaje	V <sub>AC</sub> 230
Potencia absorbida	W 710
Velocidad sin carga	min <sup>-1</sup> 4.100
Profundidad máxima de corte	mm 40
Diámetro de la hoja	mm 140
Diámetro interior de la hoja	mm 12,7
Ancho de la punta de la hoja	mm 2,4
Peso	kg 2,7

**Nivel de la presión acústica según EN 60745:**

Potencia acústica (L<sub>pa</sub>) 95,2 dB(A), incertidumbre (K) 3 dB(A)  
 Presión acústica (L<sub>wa</sub>) 106,2 dB(A), incertidumbre (K) 3 dB(A)

**Valores totales de vibración (suma de vector triaxial) según EN 60745:**

Valor de emisión de vibración (a<sub>v</sub>) 1,359 m/s<sup>2</sup>, incertidumbre (K) 1,5 m/s<sup>2</sup>

**Declaración de conformidad CE**  
 DIRECTIVA SOBRE MÁQUINAS



Black & Decker declara que los productos descritos en "características técnicas" son conformes con: 98/37/CE (hasta el 28 de diciembre de 2009), 2006/42/CE (a partir del 29 de diciembre de 2009), EN 60745-1, EN 60745-2-5

Si desea información adicional, contacte con Black & Decker en la siguiente dirección o consulte el dorso de este manual.

El abajofirmante es responsable de la compilación del archivo técnico y hace esta declaración en nombre de Black & Decker.

Kevin Hewitt  
 Vice-President Global Engineering  
 Black & Decker Europe, 210 Bath Road, Slough,  
 Berkshire, SL1 3YD  
 Reino Unido  
 1-10-2009

**Garantía**

Black & Decker confía plenamente en la calidad de sus productos y ofrece una garantía extraordinaria. Esta declaración de garantía es una añadido, y en ningún caso un perjuicio para sus derechos estatutarios. La garantía es válida dentro de los territorios de los Estados Miembros de la Unión Europea y de los de la Zona Europea de Libre Comercio.

Si un producto Black & Decker resultará defectuoso debido a materiales o mano de obra defectuosos o a la falta de conformidad, Black & Decker garantiza, dentro de los 24 meses de la fecha de compra, la sustitución de las piezas defectuosas, la reparación de los productos sujetos a un desgaste y rotura razonables o la sustitución de tales productos para garantizar al cliente el mínimo de inconvenientes, a menos que:

- ◆ El producto haya sido utilizado con propósitos comerciales, profesionales o de alquiler;
- ◆ El producto haya sido sometido a un uso inadecuado o negligente;
- ◆ El producto haya sufrido daños causados por objetos o sustancias extrañas o accidentes;
- ◆ Se hayan realizado reparaciones por parte de personas que no sean los servicios de reparación autorizados o personal de servicios de Black & Decker.

Para reclamar en garantía, será necesario que presente la prueba de compra al vendedor o al servicio técnico de reparaciones autorizado. Pueden consultar la dirección de su servicio técnico más cercano poniéndose en contacto con la oficina local de Black & Decker en la dirección que se indica en este manual. Como alternativa, se puede consultar en Internet, en la dirección siguiente, la lista de servicios técnicos autorizados e información completa de nuestros servicios de posventa y contactos:

[www.2helpU.com](http://www.2helpU.com)

Visite nuestro sitio web [www.blackanddecker.eu](http://www.blackanddecker.eu) para registrar su nuevo producto Black & Decker y mantenerse al día sobre nuestros productos y ofertas especiales. Encontrará información adicional sobre la marca Black & Decker y nuestra gama de productos en [www.blackanddecker.eu](http://www.blackanddecker.eu)

## Utilização

A sua serra Black & Decker foi projectada para serrar madeira e produtos desse mesmo material. Esta ferramenta destina-se apenas ao doméstico.

## Instruções de segurança

### Avisos de segurança gerais para ferramentas eléctricas



**Advertência! Leia todos os avisos de segurança e instruções.** O não cumprimento dos avisos e instruções a seguir pode resultar em choque eléctrico, incêndio e/ou graves lesões.

**Guarde todos os avisos e instruções para futura referência.** O termo "ferramenta eléctrica", utilizado nas advertências que se seguem, refere-se a ferramentas eléctricas com ligação à corrente eléctrica (com fios) ou operadas a pilha (sem fios).

#### 1. Segurança na área de trabalho

- a. **Mantenha a sua área de trabalho limpa e bem iluminada.** Desordem ou áreas de trabalho com fraca iluminação podem causar acidentes.
- b. **Não utilize ferramentas eléctricas em áreas com risco de explosão, nas quais se encontrem líquidos, gases ou pós inflamáveis.** As ferramentas eléctricas produzem faíscas que podem provocar a ignição de pó e vapores.
- c. **Mantenha crianças e outras pessoas afastadas durante a utilização de ferramentas eléctricas.** As distrações podem dar origem a que perca o controlo da ferramenta.

#### 2. Segurança eléctrica

- a. **A ficha da ferramenta eléctrica deve caber na tomada. A ficha não deve ser modificada de modo algum. Não utilize quaisquer fichas de adaptação com ferramentas eléctricas ligadas à terra.** Fichas inalteradas e tomadas adequadas reduzem o risco de choques eléctricos.
- b. **Evite que o corpo entre em contacto com superfícies ligadas à terra, como por exemplo tubos, radiadores, fogões e frigoríficos.** Há um risco elevado de choques eléctricos, caso o corpo seja ligado à terra.
- c. **As ferramentas eléctricas não devem ser expostas à chuva nem a humidade.** A penetração de água numa ferramenta eléctrica aumenta o risco de choques eléctricos.
- d. **Manuseie o cabo com cuidado. O cabo da ferramenta não deve ser utilizado para o transporte, para puxar a ferramenta, nem para retirar a ficha da tomada. Mantenha o cabo afastado de calor, óleo, cantos afiados ou peças em movimento.** Cabos danificados ou torcidos aumentam o risco de choques eléctricos.

- e. **Ao trabalhar com a ferramenta eléctrica ao ar livre, use um cabo de extensão apropriado para utilização no exterior.** O uso de um cabo apropriado para utilização no exterior reduz o risco de choques eléctricos.
- f. **Quando a utilização de uma ferramenta eléctrica num local húmido é inevitável, utilize uma fonte de alimentação protegida com um dispositivo de corrente residual (RCD).** A utilização de um RCD reduz o risco de choques eléctricos.

#### 3. Segurança pessoal

- a. **Mantenha-se atento, observe o que está a fazer e seja prudente durante a utilização de uma ferramenta eléctrica. Não use a ferramenta eléctrica se estiver cansado ou sob a influência de drogas, álcool ou medicamentos.** Um momento de falta de atenção durante a utilização de ferramentas eléctricas pode causar graves lesões.
- b. **Use equipamento de protecção pessoal. Utilize sempre óculos de protecção.** A utilização de equipamento de protecção pessoal, como por exemplo, máscara de protecção contra pó, sapatos de segurança anti-derrapantes, capacete de segurança ou protecção auricular, de acordo com o tipo e aplicação da ferramenta eléctrica, reduz o risco de lesões.
- c. **Evite o accionamento involuntário. Certifique-se de que o interruptor está na posição desligada antes de ligar a ferramenta à corrente eléctrica ou a uma bateria, antes de elevar ou transportar a mesma.** O transporte de ferramentas eléctricas com o dedo no interruptor ou a ligação das mesmas à corrente eléctrica com o interruptor ligado provoca acidentes.
- d. **Retire eventuais chaves de ajuste ou chaves de fenda, antes de ligar a ferramenta eléctrica.** Uma chave de fenda ou chave de ajuste, que se encontre numa peça móvel da ferramenta, pode dar origem a lesões.
- e. **Não se incline. Mantenha-se sempre bem posicionado e em equilíbrio.** Desta forma, poderá ser mais fácil controlar a ferramenta em situações inesperadas.
- f. **Utilize vestuário adequado. Não utilize roupas largas nem jóias. Mantenha o cabelo, roupa e luvas afastados de peças em movimento.** Roupas largas, jóias ou cabelos longos podem ser ficar presos nas peças em movimento.
- g. **Se for prevista a montagem de dispositivos de extracção e recolha de pó, assegure-se de que estão ligados e que são utilizados de forma correcta.** A utilização destes dispositivos reduz os riscos provocados por pó.



#### 4. Utilização e manutenção da ferramenta eléctrica

- a. **Não sobrecarregue a ferramenta eléctrica. Utilize a ferramenta eléctrica correcta para o trabalho que irá realizar.** A ferramenta correcta realizará o trabalho de forma melhor e mais segura dentro da potência indicada.
- b. **Não utilize a ferramenta eléctrica se o interruptor não puder ser ligado nem desligado.** Qualquer ferramenta eléctrica que não possa ser controlada através do interruptor é perigosa e deve ser reparada.
- c. **Desligue a ficha da tomada e/ou a bateria da ferramenta eléctrica antes de efectuar quaisquer ajustes, substituir acessórios ou armazenar a ferramenta eléctrica.** Esta medida de segurança evita que a ferramenta eléctrica seja ligada acidentalmente.
- d. **Mantenha as ferramentas eléctricas que não estiverem a ser utilizadas fora do alcance de crianças.** Não permita que a ferramenta seja utilizada por pessoas não familiarizadas com a mesma ou que não tenham lido estas instruções. As ferramentas eléctricas são perigosas se utilizadas por pessoas não qualificadas.
- e. **Efectue a manutenção das ferramentas eléctricas. Verifique se as peças móveis funcionam perfeitamente e não emperram, bem como se há peças quebradas ou danificadas que possam influenciar o funcionamento da ferramenta.** Em caso de danos, solicite a reparação da ferramenta eléctrica antes da sua utilização. Muitos acidentes têm como causa uma manutenção insuficiente das ferramentas eléctricas.
- f. **Mantenha as ferramentas de corte sempre afiadas e limpas.** As ferramentas de corte, sujeitas a uma manutenção adequada e com extremidades de corte afiadas, emperram com menos frequência e podem ser controladas com maior facilidade.
- g. **Utilize a ferramenta eléctrica, os acessórios e as brocas da ferramenta etc., de acordo com estas instruções. Considere também as condições de trabalho e o trabalho a ser efectuado.** A utilização da ferramenta eléctrica para outros fins que não os previstos pode resultar em situações perigosas.

#### 5. Reparação

- a. **A sua ferramenta eléctrica só deve ser reparada por pessoal qualificado e só devem ser colocadas peças sobressalentes originais.** Desta forma, é assegurada a segurança da ferramenta eléctrica.

#### Avisos de segurança adicionais para ferramentas eléctricas



**Advertência!** Avisos de segurança adicionais para serras

- a. **Mantenha as mãos afastadas da área de corte e da lâmina. Mantenha a sua outra mão no punho adicional ou sobre o compartimento do motor.** Se ambas as mãos segurarem a serra, estas não poderão ser lesadas pela lâmina.
- b. **Não coloque as mãos na parte inferior da peça de trabalho.** O resguardo não o pode proteger da lâmina na parte inferior da peça de trabalho.
- c. **Regule a profundidade de corte para a espessura da peça de trabalho.** Deve estar visível uma altura inferior à de um dente na parte inferior da peça de trabalho.
- d. **Jamais segure a peça a ser trabalhada na mão ou sobre a perna. Fixe a peça a ser trabalhada a uma base firme.** É importante apoiar bem a peça a ser trabalhada, para minimizar o risco de contacto com o corpo, emperramento da lâmina ou perda de controlo.
- e. **Segure sempre a ferramenta eléctrica pelas superfícies de pega isoladas ao efectuar trabalhos, durante os quais a ferramenta de corte possa entrar em contacto com cabos eléctricos escondidos ou com o cabo da ferramenta.** O contacto com um cabo com tensão também coloca as partes metálicas da ferramenta eléctrica sob tensão, resultando em choque eléctrico.
- f. **Utilize sempre uma paralela de corte ou um guia de cantos recto para efectuar cortes longitudinais.** Isto melhora a exactidão de corte e reduz a probabilidade da lâmina emperrar.
- g. **Utilize sempre lâminas com o tamanho correcto e com orifício de admissão de forma apropriada (p.ex. em forma de estrela ou redonda).** Lâminas incompatíveis com as peças de montagem da serra giram irregularmente e levam à perda do controlo.
- h. **Nunca utilize arruelas ou parafusos de lâminas danificados ou inapropriados.** As arruelas e os parafusos das lâminas foram concebidos especialmente para a sua serra, para uma potência otimizada e segurança operacional.

#### Mais instruções de segurança para todas as serras

Causa e prevenção contra um contra-golpe:

- ◆ um contra-golpe é uma reacção repentina devido a uma lâmina de serra enganchada, emperrada ou incorrectamente alinhada, que faz com que uma serra descontrolada saia da peça que está a ser trabalhada e se movimente no sentido da pessoa que está a utilizar a ferramenta;
- ◆ se a lâmina de serra engancha ou emperra na fenda de corte, esta é bloqueada, e a força do motor impulsiona a ferramenta na direcção da pessoa que a está a utilizar;

- ◆ se a lâmina dobrar ou ficar incorrectamente alinhada no corte, é possível que os dentes na extremidade posterior da lâmina engatem na superfície da peça de trabalho, dando origem a que a lâmina se movimente para fora da fenda de corte e seja projectada na direcção da pessoa que está a utilizar a ferramenta.

Um contra-golpe é o resultado de uma utilização errada da serra e/ou de procedimentos ou condições de utilização incorrectos, podendo ser evitado com medidas de precaução apropriadas, como descrito a seguir.

- a. **Segure a serra firmemente com ambas as mãos e mantenha os braços numa posição que lhe permita suportar as forças de um contra-golpe. Posicione-se sempre em posição lateral relativamente à lâmina e nunca em frente à mesma.** No caso de um contra-golpe, a serra pode ser projectada para trás, no entanto a pessoa que a está utilizar será capaz de dominar a força do contra-golpe se tiver tomado as devidas medidas de precaução.
- b. **Se a lâmina emperrar ou se tiver que interromper o corte por qualquer motivo, deverá soltar o interruptor de ligar/desligar e segurar a serra na peça de trabalho, até a lâmina parar completamente. Nunca tente remover a serra da peça de trabalho ou puxar a serra para trás, enquanto a lâmina estiver em movimento ou enquanto puder ocorrer um contra-golpe.** Procure a causa pela qual a lâmina emperra e tome as devidas medidas correctivas.
- c. **Ao voltar a ligar a serra que se encontra na peça de trabalho, deverá centrar a lâmina na fenda de corte e certificar-se de que os dentes não estão presos no material trabalho.** Se a lâmina emperrar, poderá movimentar-se para cima ou causar um contra-golpe assim que ligar a serra.
- d. **Apoie as placas grandes, para reduzir o risco de contra-golpe e emperramento da lâmina.** As placas grandes podem curvar-se devido ao seu próprio peso. As placas devem ser colocadas sob o painel em ambos os lados, junto à linha de corte e extremidade do painel.
- e. **Não utilize lâminas de serra obtusas ou danificadas.** Lâminas de serra obtusas ou desalinhadas produzem uma fenda de corte estreita, resultando em fricção excessiva, emperramento da lâmina e contra-golpes.
- f. **Antes de serrar, deverá apertar as alavancas de bloqueio de ajuste da profundidade de corte e de ângulo de corte.** Se os ajustes se alterarem durante o processo de corte, é possível que a lâmina emperre e que ocorra um contra-golpe.
- g. **Tenha especialmente cuidado, ao efectuar um "corte profundo" em paredes ou outras áreas cegas.** A lâmina pode bloquear-se em objectos e causar um contra-golpe.

## Instruções de segurança para serras circulares com resguardos de movimento pendular exteriores ou interiores e com resguardo de arrastamento

- a. **Verifique, antes de cada utilização, se o resguardo inferior fecha perfeitamente. Não utilize a serra se o resguardo inferior não se movimentar livremente e não se fechar instantaneamente. Nunca prenda nem fixe o resguardo inferior na posição aberta.** Se a serra cair inesperadamente ao chão, o resguardo poderá dobrar-se. Eleve o resguardo inferior com a alavanca retráctil e assegure-se de que se movimenta livremente e que não entra em contacto com a lâmina nem com outras peças, em todos os ângulos e profundidades de corte.
- b. **Verifique a acção da mola do resguardo inferior. Caso o resguardo e a mola não estejam a funcionar devidamente, devem ser reparados antes de utilizar a ferramenta.** Peças danificadas, resíduos aderentes ou acumulações de aparas fazem com que o resguardo inferior funcione lentamente.
- c. **O resguardo inferior só deve ser aberto manualmente para certos tipos de corte, como "cortes profundos" e "cortes compostos".** Eleve o resguardo inferior com a alavanca retráctil e, logo que a lâmina penetre no material, solte-o. Para todos os outros trabalhos de serrar, é necessário que o resguardo inferior funcione automaticamente.
- d. **Certifique-se sempre de que o resguardo inferior protege a lâmina antes de colocar a serra sobre a bancada de trabalho ou chão.** Uma lâmina desprotegida, e em movimento por inércia, movimenta a serra no sentido contrário do corte e serra tudo que estiver no seu caminho. Tenha em atenção o tempo que demora até a lâmina parar, depois de desligar a ferramenta.

## Instruções de segurança adicionais para todas as serras com cunha abridora

- a. **Utilize a cunha abridora apropriada para a lâmina utilizada.** Para a cunha abridora funcionar, terá que ser mais espessa do que a lâmina, mas mais fina do que os dentes da lamina.
- b. **Ajuste a cunha abridora, tal como descrito no manual de instruções.** Um espaçamento, posição e alinhamento incorrectos podem tornar a cunha abridora ineficaz na prevenção de contra-golpes.
- c. **Utilize sempre a cunha abridora, excepto para cortes profundos.** Substitua a cunha abridora após cortes profundos. A cunha abridora atrapalha no caso de cortes profundos e pode causar contra-golpes.
- d. **Para a cunha abridora funcionar, é necessário que se encontre colocada na peça de trabalho.** Em caso de cortes curtos, a cunha abridora é ineficaz na prevenção de contra-golpes.

**e. Não utilize a serra com uma cunha abridora torta.**

Até uma leve interferência pode retardar o fechamento do resguardo.

**Riscos residuais**

Os riscos que se seguem são inerentes à utilização de serras:

- Lesões provocadas pelo toque em peças rotativas.

Mesmo com a aplicação de regulamentos de segurança relevantes e a implementação de dispositivos de segurança, é necessário evitar determinados riscos eventuais. Estes são:

- Enfraquecimento da audição.
- Risco de acidentes provocados por peças não cobertas da lâmina da serra em rotação.
- Risco de ferimentos durante a substituição da lâmina.
- Risco de trilhamento dos dedos durante a abertura dos resguardos.
- Problemas de saúde provocados pela respiração de pó resultante da serragem de madeira, especialmente carvalho, faia e MDF.

**Lâminas de serra**

- ◆ Não use lâminas com diâmetro maior ou menor do que o recomendado. Para conhecer as lâminas de medida correcta, consulte os dados técnicos. Utilize apenas as lâminas especificadas neste manual, conforme a norma EN 847-1.
- ◆ **Advertência!** Nunca utilize rodas abrasivas.

**Segurança de outras pessoas**

- ◆ Este aparelho não se destina a ser utilizado por pessoas (incluindo crianças) com reduzidas capacidades físicas, sensoriais ou mentais ou falta de experiência e conhecimentos, a menos que tenham recebido instruções ou sejam supervisionadas relativamente à utilização do aparelho por uma pessoa responsável pela sua segurança.
- ◆ As crianças deverão ser vigiadas para que não brinquem no aparelho.

**Vibração**

Os valores de emissão de vibrações declarados, indicados nos dados técnicos e na declaração de conformidade, foram medidos de acordo com um método de teste padrão providenciado por EN 60745 e podem ser utilizados para efectuar a comparação entre ferramentas. O valor de emissão de vibrações declarado pode também ser utilizado numa avaliação preliminar da exposição.

**Advertência!** O valor de emissão de vibrações durante a utilização da ferramenta eléctrica pode divergir do valor declarado, dependendo do modo como a ferramenta é utilizada. O nível de vibrações pode aumentar relativamente ao nível indicado.

Durante a avaliação da exposição a fim de determinar as medidas de segurança requeridas pela directiva 2002/44/CE para a protecção de pessoas que utilizam regularmente ferramentas eléctricas nas respectivas profissões, o cálculo da exposição a vibrações deve considerar as condições reais de utilização e a forma como a ferramenta é utilizada, incluindo a consideração de todas as partes do ciclo de utilização como, por exemplo, as vezes que a ferramenta é desligada e o tempo em que se encontra a funcionar sem carga para além do tempo de accionamento.

**Etiquetas da ferramenta**

Aparecem os seguintes pictogramas na ferramenta:



**Advertência!** Para reduzir o risco de ferimentos, o utilizador deve ler o manual de instruções.

**Segurança eléctrica**



Esta ferramenta está duplamente isolada, pelo que não necessita de fio de terra. Certifique-se sempre de que o fornecimento de energia corresponde à tensão indicada na placa de identificação.

- ◆ Se o cabo de alimentação estiver danificado, deverá ser substituído pelo fabricante ou por um Centro de Assistência autorizado pela Black & Decker, de modo a evitar perigos.

**Características**

1. Interruptor de ligar/desligar
2. Botão de travamento
3. Punho principal
4. Pega lateral
5. Alavanca de ajuste de profundidade de corte
6. Escala de profundidade de corte
7. Botão de travamento para ajuste de ângulo em bisel
8. Escala de ângulo em bisel
9. Protecção da lâmina de serra
10. Alavanca retráctil do resguardo da lâmina de serra
11. Calço da serra
12. Guia paralela
13. Faca de fender

**Montagem**

**Advertência!** Antes de tentar executar qualquer das operações a seguir, assegure-se de que a ferramenta está desligada e a lâmina parada.

## Remoção e encaixe da lâmina de serra (fig. A)

### Remoção

- ◆ Insira uma chave de aparafusar no orifício (14) para evitar que a lâmina de serra gire. Se preferir, segure a anilha externa (15) com uma chave de 18 mm.
- ◆ Solte e retire o parafuso de retenção da lâmina (16) girando-o em direcção anti-horária com a chave Allen (17) fornecida.
- ◆ Retire a anilha externa (15).
- ◆ Retire a lâmina de serra (18).

### Colocação

- ◆ Coloque a lâmina de serra na anilha interna (19) assegurando-se de que a flecha situada na lâmina esteja a apontar na mesma direcção que a flecha na ferramenta.
- ◆ Coloque a anilha externa (15) no veio com a parte elevada para fora da lâmina de serra.
- ◆ Insira o parafuso de retenção da lâmina (16) no orifício.
- ◆ Insira uma chave de aparafusar no orifício (14) para evitar que a lâmina de serra gire. Se preferir, segure a anilha externa (15) com uma chave de 18 mm.
- ◆ Aperte bem o parafuso de retenção girando-o em direcção horária com a chave Allen (17) fornecida.
- ◆ Ajuste a faca de fender conforme o descrito abaixo.

### Ajuste da faca de fender (fig. B)

A faca de fender evita que a lâmina de serra se enrosque durante as operações de corte rasgado. Essa faca deve ser ajustada após a substituição da lâmina de serra.

- ◆ Desaperte o parafuso (20).
- ◆ Posicione a faca de fender (13) como ilustrado.
  - A distância entre o bordo dentado e a faca de fender deve ser de 2 - 3 mm.
  - A diferença de altura entre o bordo dentado e a extremidade inferior da faca de fender deve ser de 2 - 3 mm.
- ◆ Aperte o parafuso (20).

### Colocação e remoção da guia paralela (fig. E)

Utiliza-se a faca paralela para efectuar cortes em linha recta, paralelamente aos bordos da peça de trabalho.

### Colocação

- ◆ Solte o botão de travamento (21).
- ◆ Insira a guia paralela (12) nas aberturas (22).
- ◆ Deslize a guia paralela até a posição desejada.
- ◆ Aperte o botão de bloqueio.

### Remoção

- ◆ Solte o botão de travamento (21).
- ◆ Puxe a guia paralela retirando-a da ferramenta.

## Utilização

**Advertência!** Deixe que a ferramenta funcione à vontade. Não o sobrecarregue.

Esta ferramenta pode ser utilizada com a mão esquerda ou direita.

**Advertência!** Guie o cabo cuidadosamente para evitar cortá-lo acidentalmente.

### Ajuste da profundidade de corte (fig. D)

A profundidade de corte deve ser ajustada de acordo com a espessura da peça de trabalho, devendo ultrapassá-la em aproximadamente 2 mm.

- ◆ Solte o botão (5) para liberar o calço da serra.
- ◆ Mova o calço da serra (11) para a posição desejada. A profundidade de corte correspondente poderá ser lida na escala (6).
- ◆ Aperte o botão para fixar o calço da serra no lugar.

### Ajuste do ângulo de bisel (fig. E)

Esta ferramenta pode ser ajustada em ângulos entre 0° e 45°.

- ◆ Solte o botão de travamento (7) para liberar o calço da serra.
- ◆ Mova o calço da serra (11) para a posição desejada. O ângulo de bisel correspondente poderá ser lido na escala (8).
- ◆ Aperte o botão de travamento para bloquear o calço da serra no lugar.

### Como ligar e desligar a ferramenta

**Advertência!** Assegure-se de que a chave Allen seja removida do parafuso de retenção da lâmina antes de ligar.

### Activação

- ◆ Mantenha o botão de travamento (2) para baixo e prima o interruptor de ligar/desligar (1).
- ◆ Solte o botão de travamento.

### Desactivação

- ◆ Solte o interruptor de ligar/desligar.

### Alinhamento da serra com a linha de corte (fig. F)

A serra está equipada com 2 guias para corte recto (23) e 2 guias para cortes em 45° (24).

- ◆ Alinhe o bordo esquerdo das guias (23) ou (24) com a linha de corte (25).

Para cortes de muita precisão:

- ◆ Trace uma linha de corte num pedaço de madeira.
- ◆ Alinhe o bordo esquerdo das guias (23) ou (24) com a linha de corte (25).
- ◆ Faça um corte de teste.

- ◆ Dependendo dos resultados, ajuste a posição das guias relativamente à linha de corte.

### Extracção de pó (fig. G)

Será preciso utilizar um adaptador para conectar um aspirador ou extractor de pó à ferramenta. Esse adaptador poderá ser adquirido junto ao seu revendedor local da Black & Decker.

- ◆ Insira o adaptador de extracção de pó na saída de pó da serra (26).
- ◆ Ligue a mangueira do aspirador ao adaptador.

### Sugestões para uma melhor utilização

- ◆ Como não é possível evitar a formação de rebarbas ao longo da linha de corte no lado de cima da peça de trabalho, corte o lado em que isso seja aceitável.
- ◆ Quando for necessário minimizar a formação de rebarbas, por exemplo ao cortar laminados, prenda uma peça de aglomerado no topo da peça de trabalho.

### Acessórios

O desempenho da sua ferramenta depende dos acessórios utilizados. Os acessórios da Black & Decker e Piranha são fabricados de acordo com os mais altos padrões de qualidade e são concebidos para melhorar o desempenho da sua ferramenta. Ao utilizar estes acessórios, poderá tirar um maior partido da sua ferramenta.

### Manutenção

O aparelho/ferramenta com fios/sem fios da Black & Decker foi desenvolvido/a para funcionar por um longo período de tempo com um mínimo de manutenção. O funcionamento contínuo e satisfatório depende de limpeza regular e de manutenção adequada.

**Advertência!** Antes de realizar qualquer tipo de manutenção em ferramentas eléctricas com fios/sem fios:

- ◆ Desligue o aparelho/ferramenta e retire a ficha da tomada.
- ◆ Ou desligue e retire a bateria do aparelho/ferramenta, caso esta seja fornecida separadamente.
- ◆ Ou descarregue a bateria por completo, caso seja integrada e depois desligue o aparelho/ferramenta.
- ◆ Desligue a ficha do carregador antes de o limpar. O seu carregador não requer qualquer manutenção para além de uma limpeza regular.
- ◆ Limpe regularmente as fendas de ventilação na ferramenta/aparelho/carregador utilizando uma escova macia ou pano seco.
- ◆ Limpe regularmente o compartimento do motor utilizando um pano húmido. Não utilize nenhum detergente abrasivo nem à base de solvente.

- ◆ Abra regularmente o mandril e bata no mesmo para remover qualquer poeira do interior (se equipado).

### Protecção do meio ambiente



Recolha em separado. Não deve deitar este produto fora juntamente com o lixo doméstico normal.

Caso chegue o momento em que um dos seus produtos Black & Decker precise de ser substituído ou decida desfazer-se do mesmo, não o deite fora juntamente com o lixo doméstico. Torne este produto disponível para uma recolha em separado.



A recolha em separado de produtos e embalagens utilizados permite que os materiais sejam reciclados e reutilizados. A reutilização de materiais reciclados ajuda a evitar a poluição ambiental e a reduzir a procura de matérias-primas.

Os regulamentos locais poderão providenciar a recolha em separado de produtos eléctricos junto das casas, em lixeiras municipais ou junto dos fornecedores ao adquirir um novo produto.

A Black & Decker oferece um serviço de recolha e reciclagem de produtos Black & Decker que tenha atingido o fim das suas vidas úteis. Para tirar proveito deste serviço, devolva seu produto a qualquer agente de reparação autorizado, que se encarregará de recolher o equipamento em nosso nome.

Para verificar a localização do agente de reparação mais próximo de si, contacte o escritório local da Black & Decker no endereço indicado neste manual. Se preferir, consulte a lista de agentes autorizados da Black & Decker e os dados completos dos nossos serviços de atendimento pós-venda na Internet no endereço: [www.2helpU.com](http://www.2helpU.com)

### Dados técnicos

	KS40 TYPE 1
Voltagem	V <sub>AC</sub> 230
Potência	W 710
Velocidade sem carga	min <sup>-1</sup> 4.100
Profundidade máx. de corte	mm 40
Diâmetro da lâmina	mm 140
Diâmetro interno do orifício da lâmina	mm 12,7
Largura da ponta da lâmina	mm 2,4
Peso	kg 2,7

### Nível de pressão de ruído segundo a EN 60745:

Pressão acústica (L<sub>pa</sub>) 95,2 dB(A), imprecisão (K) 3 dB(A)

Potência acústica (L<sub>WA</sub>) 106,2 dB(A), imprecisão (K) 3 dB(A)

Valores totais de vibração (soma vectorial triaxial) segundo a EN 60745:

Valor de emissão de vibrações ( $a_{wv}$ ) 1,359 m/s<sup>2</sup>, imprecisão (K) 1,5 m/s<sup>2</sup>

## Declaração de conformidade CE

DIRECTIVA MÁQUINAS



A Black & Decker declara que os produtos descritos na secção "dados técnicos" se encontram em conformidade com: 98/37/CE (até 28 de Dezembro de 2009), 2006/42/CE (a partir de 29 de Dezembro de 2009), EN 60745-1, EN 60745-2-5

Para obter mais informações, queira contactar a Black & Decker através do endereço que se segue ou indicado no verso do manual.

O signatário é responsável pela compilação do ficheiro técnico e apresenta esta declaração em nome da Black & Decker.

Kevin Hewitt

Vice-presidente do Departamento de Engenharia Global  
Black & Decker Europe, 210 Bath Road, Slough,  
Berkshire, SL1 3YD  
Reino Unido  
1-10-2009

- ◆ O produto tenha sofrido danos causados por objectos estranhos, substâncias ou acidentes;
- ◆ Tenha um histórico de reparações efectuadas por terceiros que não sejam os agentes autorizados ou profissionais de manutenção da Black & Decker.

Para activar a garantia, será necessário enviar a prova de compra ao revendedor ou agente de reparação autorizado. Para verificar a localização do agente de reparação mais próximo de si contacte o escritório local da Black & Decker no endereço indicado neste manual. Se preferir, consulte a lista de agentes autorizados da Black & Decker e os dados completos de nossos serviços de atendimento pós-venda na Internet no endereço: [www.2helpU.com](http://www.2helpU.com)

Visite o nosso website [www.blackanddecker.eu](http://www.blackanddecker.eu) para registar o seu novo produto Black & Decker e para se manter actualizado sobre novos produtos e ofertas especiais. Estão disponíveis mais informações sobre a Black & Decker e sobre a nossa gama de produtos em [www.blackanddecker.eu](http://www.blackanddecker.eu)

## Garantia

A Black & Decker confia na qualidade de seus produtos e oferece um programa de garantia excelente. Esta declaração de garantia soma-se aos seus direitos legais e não os prejudica em nenhum aspecto. A garantia será válida nos territórios dos Estados Membros da União Europeia e na Área de Livre Comércio da Europa.

Caso algum produto da Black & Decker apresente avarias devido a defeitos de material, mão-de-obra ou ausência de conformidade no prazo de 24 meses a partir da data de compra, a Black & Decker garantirá a substituição das peças defeituosas, a reparação dos produtos que foram submetidos a uso adequado e remoção ou substituição dos mesmos para assegurar o mínimo de inconvenientes ao cliente a menos que:

- ◆ O produto tenha sido utilizado para fins comerciais, profissionais ou aluguer;
- ◆ O produto tenha sido submetido a uso incorrecto ou descuido;

## Användningsområde

Din Black & Decker såg är avsedd för sågning av trä och träprodukter. Verktöget är endast avsett som konsumentverktyg.

## Säkerhetsregler

### Allmänna säkerhetsvarningar för motordrivna verktyg



**Varning! Läs alla säkerhetsvarningar och alla anvisningar.** Fel som uppstår till följd av att varningarna och anvisningarna nedan inte följts kan orsaka elchock, brand och/eller allvarliga kroppsskador.

### Spara alla varningar och anvisningar för framtida referens.

Nedan använt begrepp "elverktyg" hänför sig till nätdrivna elverktyg (med nätsladd) och till batteridrivna elverktyg (sladdlösa).

#### 1. Säkerhet för arbetsområde

- Håll arbetsplatsen ren och välbelyst.** Ordning på arbetsplatsen och dåligt belyst arbetsområde kan leda till olyckor.
- Använd inte elverktöget i explosionsfarlig omgivning med brännbara vätskor, gaser eller damm.** Elverktögen alstrar gnistor som kan antända dammet eller gaserna.
- Håll under arbetet med elverktöget barn och obehöriga personer på betryggande avstånd.** Om du störs av obehöriga personer kan du förlora kontrollen över elverktöget.

#### 2. Elsäkerhet

- Elverktögets stickkontakt måste passa i vägguttaget.** Ändra aldrig stickkontakten på något sätt. Använd inte adapterkontakter tillsammans med skyddsjordade elverktyg. Oförändrade stickkontakter och passande vägguttag minskar risken för elchock.
- Undvik kroppskontakt med jordade ytor som t.ex. rör, värmelement, spisar och kylskåp.** Det finns en större risk för elchock om din kropp är jordad.
- Skydda elverktöget mot regn och väta.** Tränger vatten in i ett elverktyg ökar risken för elchock.
- Misshandla inte nätsladden. Använd inte sladden för att bära eller hänga upp elverktöget och inte heller för att dra stickproppen ur vägguttaget.** Håll nätsladden på avstånd från värme, olja, skarpa kanter och rörliga maskindelar. Skadade eller tilltrasslade sladdar ökar risken för elchock.
- Använd endast förlängningssladdar som är godkända för utomhusbruk när du arbetar med ett elverktyg utomhus.** Om en förlängningssladd avsedd för utomhusbruk används minskar risken för elchock.

- Om man måste använda ett elverktyg på en fuktig plats bör man använda ett uttag som skyddats med en restströmsanordning (RCD).** Vid användning av en restströmsanordning (RCD) minskar risken för elektriska stötar.

#### 3. Personlig säkerhet

- Var uppmärksam, se på vad du gör och använd elverktöget med förnuft.** Använd inte elverktöget när du är trött eller om du är påverkad av droger, alkohol eller mediciner. Under användning av elverktyg kan ett ögonblicks bristande uppmärksamhet leda till allvarliga kroppsskador.
  - Använd personlig skyddsutrustning. Bär alltid skyddsglasögon.** Den personliga skyddsutrustningen, som t.ex. dammfiltermask, halkfria skyddsskor, hjälm eller hörselskydd, som bör användas under de gällande omständigheterna minskar risken för kroppsskada.
  - Undvik att verktyget startas av misstag. Kontrollera att strömställaren står i läge från innan du ansluter till vägguttaget och/eller batteripaketet, lyfter upp eller bär verktyget.** Det kan vara mycket farligt att bära ett elverktyg med fingret på strömbrytaren eller koppla det till nätet med strömbrytaren på.
  - Ta bort alla inställningsverktyg och skruvnycklar innan du startar elverktöget.** Ett verktyg eller en nyckel i en roterande komponent kan medföra kroppsskada.
  - Sträck dig inte för långt. Se till att du alltid har säkert fotfäste och balans.** På så sätt kan du lättare kontrollera elverktöget i oväntade situationer.
  - Bär lämplig klädsel. Bär inte löst hängande kläder eller smycken. Håll hår, kläder och handskar undan från rörliga delar.** Löst hängande kläder, smycken och långt hår kan dras in av roterande delar.
  - Om elverktöget är utrustat med dammsugnings- och -uppsamlingsutrustning, kontrollera att dessa anordningar är rätt monterade och att de används på korrekt sätt.** Dammuppsamling minskar riskerna för dammrelaterade olyckor.
- #### 4. Bruk och skötsel av elverktyg
- Överbelasta inte elverktöget. Använd rätt elverktyg för det aktuella arbetet.** Med ett lämpligt elverktyg kan du arbeta bättre och säkrare inom angivet effektområde.
  - Ett elverktyg med defekt strömbrytare får inte användas.** Ett elverktyg som inte kan kopplas till eller från är farligt och måste repareras.
  - Dra ut stickkontakten ur vägguttaget och/eller batteripaketet ur det motordrivna verktyget innan inställningar utförs, tillbehörsdelar byts ut eller det motordrivna verktyget ställs undan.** Denna skyddsåtgärd förhindrar oavsiktlig inkoppling av elverktöget.

- d. Förvara elverktygen oåtkomliga för barn. Låt inte elverktyget användas av personer som inte är förtrogena med dess användning eller inte läst denna anvisning. Elverktyg är farliga om de används av oerfarna personer.
  - e. Sköt elverktyget omsorgsfullt. Kontrollera att rörliga komponenter fungerar felfritt och inte kärvar, att komponenter inte brustit eller skadats och inget annat föreligger som kan påverka elverktygets funktioner. Låt skadade delar repareras innan elverktyget används på nytt. Många olyckor orsakas av dåligt skötta elverktyg.
  - f. Håll skärverktyg skarpa och rena. Omsorgsfullt skötta skärverktyg med skarpa eggar fastnar inte så lätt och går lättare att styra.
  - g. Använd det motordrivna verktyget, tillbehör och insatsverktyg etc. enligt dessa anvisningar. Ta hänsyn till arbetsvillkoren och arbetsmomenten. Används elverktyget på icke ändamålsenligt sätt kan farliga situationer uppstå.
5. Service
- a. Låt endast elverktyget repareras av kvalificerad fackpersonal och med originalreservdelar. Detta garanterar att elverktygets säkerhet bibehålls.

### Extra säkerhetsvarningar för elverktyg



**Varning!** Tillkommande säkerhetsvarningar för sågar

- a. Håll händerna på betryggande avstånd från sågområdet och sågklingan. Håll andra handen på stödhandtaget eller motorhuset. Om båda händerna hålls på sågen kan de inte skadas av sågklingan.
- b. För inte in handen under arbetsstycket. Klingskyddet kan under arbetsstycket inte skydda handen mot sågklingan.
- c. Ställ in sågningsdjupet till arbetsstyckets tjocklek. Den synliga delen av en tand under arbetsstycket måste vara mindre än en hel tand.
- d. Arbetsstycket som ska sågas får aldrig hållas i handen eller över benen. Säkra arbetsstycket på ett stabilt underlag. Det är viktigt att arbetsstycket hålls fast ordentligt för undvikande av kontakt med kroppen, inklämning av sågklinga eller förlorad kontroll över sågen.
- e. Håll fast sågen endast vid de isolerade handtagen när sågning utförs på ställen där sågklingan kan skada dolda elledningar eller egen nätsladd. Om sågen kommer i kontakt med en spänningsförande ledning sätts sågens metalldelar under spänning som sedan kan leda till elektriskt slag.

- f. Vid längsriktad sågning ska alltid ett anslag eller en rak kantstyrning användas. Detta förbättrar snittnoggrannheten och minskar risken för att sågklingan kommer i kläm.
- g. Använd alltid sågklingor med rätt storlek och lämpligt infästningshål (t.ex. i stjärnform eller rund). Sågklingor som inte passar till sågens monteringskomponenter roterar runt och leder till att kontrollen förloras över sågen.
- h. Använd aldrig skadade eller felaktiga underläggsbrickor eller skruvar för sågklingan. Underläggsbrickorna och skruvarna för sågklingan har konstruerats speciellt för denna såg för optimal effekt och driftsäkerhet.

### Tillkommande säkerhetsinstruktioner för alla sågar

Orsaker för och eliminering av bakslag:

- ◆ ett bakslag är en plötslig reaktion hos en sågklinga som hakat upp sig, klämts fast eller är fel inriktad och som leder till att sågen okontrollerat lyfts upp ur arbetsstycket och kastas mot användaren;
- ◆ om sågklingan hakar upp sig eller kläms fast i sågspåret som går ihop, kommer klingan att blockera varefter motorkraften kastar sågen i riktning mot användaren;
- ◆ om sågklingan snedvrids i sågspåret eller är fel inriktad, kan tänderna på sågklingans bakre kant haka upp sig i arbetsstyckets yta varvid sågklingan går ur sågspåret och hoppar bakåt mot användaren.

Bakslag uppstår till följd av missbruk og/eller felaktig hantering av sågen. Detta kan undvikas genom skyddsåtgärder som beskrivs nedan.

- a. Håll stadigt i sågen med båda händerna och håll armarna i ett läge som möjliggör att hålla stånd mot de bakslagskrafter som eventuellt uppstår. Stå alltid på sidan om sågklingan; håll aldrig sågklingan i linje med kroppen. Vid ett bakslag kan cirkelsågen hoppa bakåt men användaren kan behärska bakslagskraften om lämpliga åtgärder vidtagits.
- b. Om sågklingan kommer i kläm eller sågning avbryts av annan orsak, släpp Till-Från strömställaren och håll kvar sågen i arbetsstycket tills sågklingan stannat fullständigt. Försök aldrig dra sågen ur arbetsstycket eller bakåt så länge sågklingan roterar eller risk finns för att bakslag uppstår. Lokalisera orsaken för inklämd sågklinga och avhjälj felet.
- c. Vill du återstarta en såg som sitter i arbetsstycket centrera sågklingan i sågspåret och kontrollera att sågklingans tänder inte hakat upp sig i arbetsstycket. Är sågklingan inklämd kan den gå upp ur arbetsstycket eller orsaka bakslag vid återstart av sågen.
- d. Stöd stora skivor för att reducera risken för ett bakslag till följd av inklämd sågklinga. Stora och tunga skivor kan böjas ut. Skivorna måste därför stödas på båda sidorna både i närheten av sågspåret och vid skivans kanter.



- e. **Använd inte oskarpa eller skadade sågklingor.**  
Sågklingor med oskarpa eller fel inriktade tänder medför till följd av ett för smalt sågspår ökad friktion, inklämning av sågklingan och bakslag.
- f. **Före sågning påbörjas dra stadigt fast inställningsanordningarna för sågdjup och snittvinkel.**  
Om inställningarna förändras under sågning kan sågklingan klämmas fast och orsaka bakslag.
- g. **Var speciellt försiktig vid "insågning" på ett dolt område, t.ex. i en färdig vägg.** Den inträngande sågklingan kan blockera vid sågning i dolda objekt och förorsaka bakslag.

#### Säkerhetsinstruktioner för cirkelsågar med yttre eller inpendlande skydd och med bogaserskydd

- a. **Kontrollera innan sågen används att det undre klingskyddet stänger felfritt. Sågen får inte tas i bruk om det undre klingskyddet inte är fritt rörligt och inte stängs omedelbart. Kläm eller bind inte fast det undre klingskyddet i öppet läge.** Om sågen av misstag faller ner på golvet finns risk att det undre klingskyddet deformeras. Öppna klingskyddet med återdragningspaken och kontrollera att det är fritt rörligt och att det vid alla snittvinklar och snittdjup varken berör sågklingan eller andra delar.
- b. **Kontrollera funktionen på fjädern till det undre klingskyddet. Låt sågen repareras innan den tas i bruk om klingskyddet eller fjädern inte fungerar felfritt.** Skadade delar, klibbiga avlagringar eller anhopning av spån kan hindra det undre klingskyddets rörelse.
- c. **Öppna det undre klingskyddet för hand endast vid speciella snitt som t.ex. "insågning" och "vinkelsnitt". Öppna det undre klingskyddet med återdragningspaken och släpp den så fort sågklingan gått in i arbetsstycket.** Vid all annan sågning måste det undre klingskyddet fungera automatiskt.
- d. **Se till att sågklingan skyddas av det undre klingskyddet när sågen läggs bort på arbetsbänk eller golv.** En oskyddad och roterande sågklinga förflyttar sågen bakåt och kan såga allt som är i vägen. Beakta även sågens eftergång.

#### Tillkommande säkerhetsinstruktioner för sågar med spaltkniv

- a. **Använd endast den spaltkniv som passar till aktuell sågklinga.** Spaltkniven måste vara tjockare än sågklingans stamblad men tunnare än tandbredden på sågklingan.
- b. **Justera spaltkniven enligt beskrivning i bruksanvisningen.** Fel tjocklek, läge och inriktning kan vara orsaken till att spaltkniven inte effektivt förhindrar ett bakslag.
- c. **Använd alltid spaltkniven förutom vid insågning.** Återmontera klyvkniven efter utförd insågning. Spaltkniven stör vid insågning och kan orsaka ett bakslag.

- d. **För att spaltkniven ska fungera måste den sitta i sågspåret.** Vid korta snitt kan spaltkniven inte förhindra ett bakslag.
- e. **Sågen får inte användas med deformerad spaltkniv.** Redan en liten störning kan bromsa upp klingskyddets stängning.

#### Restrisker

Nedanstående risker föreligger vid arbete med sågar:

- Skada till följd av att vidröra roterande delar.

Även om man följer alla relevanta säkerhetsföreskrifter och tillämpar alla säkerhetsanordningar kan vissa kvarstående risker inte undvikas. De är:

- Hörselskada.
- Risk för olyckor orsakade av det roterande sågbladets oskyddade delar.
- Risk för kroppsskada vid bladbyte.
- Risk att klämma fingrarna när skyddskåporna öppnas.
- Hälsorisker till följd av inandad damm som bildas vid sågning av trä, i synnerhet ek, bok och MDF.

#### Sågklingor

- ◆ Använd aldrig blad med större eller mindre diameter än rekommenderat. Se tekniska data för besked om rätt klingor. Används endast de sågblad som anges i denna handbok, de måste uppfylla EN 847-1.
- ◆ **Varning!** Använd aldrig skivor.

#### Andra personers säkerhet

- ◆ Apparaten är inte avsedd att användas av personer (inklusive barn) med försvagade fysiska, sensoriska eller mentala förmågor, eller som saknar erfarenhet och kunskaper, om de inte får övervakning eller undervisning i användning av apparaten av någon som ansvarar för deras säkerhet.
- ◆ Håll uppsyn så att inga barn leker med apparaten.

#### Skakas

De angivna vibrationsemissionsvärdena i tekniska data och försäkran om överensstämmelse har uppmätts enligt en standardtestmetod som tillhandahålls av EN 60745 och kan användas för att jämföra olika verktyg med varandra. De angivna vibrationsemissionsvärdena kan även användas för en preliminär beräkning av exponering.

**Varning!** Vibrationsemissionsvärdet under faktisk användning av elverktyget kan skilja sig från det angivna värdet beroende på hur verktyget används. Vibrationsnivån kan överstiga den angivna nivån.

Vid beräkning av vibrationsexponering för att bestämma säkerhetsåtgärder enligt 2002/44/EG för att skydda personer som regelbundet använder elverktyg i arbetet, bör en beräkning av vibrationsexponeringen ta med i beräkningen de faktiska användningsförhållandena och sättet verktyget används, inkluderande att man tar med i beräkningen alla delar av användningscykeln, förutom själva "avtryckartiden" även t.ex. när verktyget är avstängt och när det går på tomgång.

## Märken på verktyget

Följande symboler finns på verktyget:



**Varning!** För att minska risken för skador måste användaren läsa igenom bruksanvisningen.

## Elsäkerhet



Eftersom verktyget är dubbelisolerat behövs ingen jordledare. Kontrollera alltid att nätspänningen överensstämmer med värdet på märkplåten.

- ◆ Om nätsladden är skadad måste den bytas ut av tillverkaren eller en godkänd Black & Decker-serviceverkstad för att undvika en risksituation.

## Detaljbeskrivning

1. Strömbrytare
2. Låsknapp
3. Huvudhandtag
4. Sidohandtag
5. Justeringsspak för snittdjup
6. Snittdjupskala
7. Låsknapp för justering av geringsvinkel
8. Geringsvinkelskala
9. Sägklingsskydd
10. Spak för sågklingsskydd
11. Sågsko
12. Parallellanslag
13. Spaltkniv

## Montering

**Varning!** Innan du utför någon av följande handlingar måste du försäkra dig om att verktyget har stängts av, att kontakten dragits ur och att sågbladet har stannat.

## Montering och borttagning av sågklinga (fig. A)

### Borttagning

- ◆ För in skruvmejseln i hålet (14) för att förhindra att sågklingan roterar. Alternativt håller du den yttre brickan (15) med hjälp av en 18 mm fast nyckel.

- ◆ Lossa och tag bort klingskruven (16) genom att vrida den moturs med hjälp av den medlevererade insexnyckeln (17).
- ◆ Tag bort den yttre brickan (15).
- ◆ Avlägsna sågbladet (18).

### Montering

- ◆ Placera sågklingan på den inre brickan (19) och kontrollera att pilen på klingan pekar i samma riktning som pilen på verktyget.
- ◆ Montera den yttre brickan (15) på spindeln med den upphöjda delen riktad bort från sågklingan.
- ◆ För in klingskruven (16) i hålet.
- ◆ För in skruvmejseln i hålet (14) för att förhindra att sågklingan roterar. Alternativt håller du den yttre brickan (15) med hjälp av en 18 mm fast nyckel.
- ◆ Dra åt klingskruven ordentligt genom att vrida på den medurs med hjälp av den medlevererade insexnyckeln (17).
- ◆ Justera spaltkniven enligt nedanstående beskrivning.

## Inställning av spaltkniven (fig. B)

Spaltkniven förhindrar att sågklingan fastnar under klyvsågning. Spaltkniven måste justeras om man byter sågklinga.

- ◆ Lossa skruven (20).
- ◆ Placera spaltkniven (13) enligt figuren.
  - Avståndet mellan den tandade kanten och spaltkniven bör vara 2 - 3 mm.
  - Höjdskillnaden mellan den tandade kanten och den lägre änden av spaltkniven bör vara 2 - 3 mm.
- ◆ Dra åt skruven (20).

## Montering och borttagning av parallellanslaget (fig. E)

Parallellanslaget används för sågning i en rak linje parallellt med arbetsstyckets kant.

### Montering

- ◆ Lossa låsknappen (21).
- ◆ För in parallellanslaget (12) genom öppningarna (22).
- ◆ Skjut parallellanslaget till önskad position.
- ◆ Dra åt låsknappen.

### Borttagning

- ◆ Lossa låsknappen (21).
- ◆ Tag bort parallellanslaget från verktyget.

## Användning

**Varning!** Överbelasta inte maskinen, låt den arbeta i sin egen takt.

Detta verktyg kan användas med höger eller vänster hand.

**Varning!** Var noga med hur du leder sladden så att du inte råkar skära i den.

### Justering av snittdjupet (fig. D)

Snittdjupet bör ställas in i förhållande till arbetsstyckets tjocklek. Det bör överskrida tjockleken med ca. 2 mm.

- ◆ Lossa knappen (5) för att lösgöra sågfoten.
- ◆ Flytta sågfoten (11) till önskat läge. Motsvarande snittdjup kan avläsas från skalan (6).
- ◆ Dra åt knappen för att spärra sågfoten på plats.

### Justering av geringsvinkeln (fig. E)

Detta verktyg kan ställas in med geringsvinklar mellan 0° och 45°.

- ◆ Lossa låsknappen (7) för att frigöra sågfoten.
- ◆ Flytta sågfoten (11) till önskat läge. Motsvarande geringsvinkel kan avläsas från skalan (8).
- ◆ Dra åt låsknappen för att spärra sågfoten på plats.

### Start och stopp

**Varning!** Kontrollera att insexnyckeln är borttagen från klingskraven innan verktyget startas.

#### Start

- ◆ Håll spärrknappen (2) intryckt och tryck på strömbrytaren (1).
- ◆ Släpp spärrknappen.

#### Avstängning

- ◆ Släpp strömbrytaren.

### Rikta in sågen med trimtråden (fig. F)

Sågen är utrustad med 2 guider för rak sågning (23) och 2 guider för 45° geringssågning (24).

- ◆ Rikta in guidernas vänstra kant (23) eller (24) mot såglinjen (25).

För mycket exakta snitt:

- ◆ Markera såglinjen på en provbit av trä.
- ◆ Rikta in guidernas vänstra kant (23) eller (24) mot såglinjen (25).
- ◆ Gör ett testsnitt.
- ◆ Beroende på resultatet justerar du guidernas läge mot såglinjen.

### Spånutsugning (fig. G)

Det behövs en adapter för att ansluta en damm- eller grovsugare till verktyget. Adaptern kan köpas hos din Black & Decker återförsäljare.

- ◆ För in dammutsugningsadaptern i spånutkastet (26).
- ◆ Anslut dammsugarslangen till adaptern.

### Råd för bästa resultat

- ◆ Då det inte går att undvika att träet flisar sig på arbetsstyckets ovansida bör du säga så att eventuella flisar kommer på baksidan.

- ◆ I de fall då det är viktigt att minimera flisor, t ex när laminat sågas, placerar du en bit plywood ovanpå arbetsstycket.

### Tillbehör

Verktygets användningsområde beror på vilket tillbehör du väljer. Black & Decker- och Piranhatillbehören är av hög kvalitet. Genom att använda dessa tillbehör kan du få ut mesta möjliga av verktyget.

### Underhåll

Ditt Black & Decker-verktyg, med eller utan nätkabel, har tillverkats för att fungera under lång tid med ett minimum av underhåll. Med rätt underhåll och regelbunden rengöring behåller verktyget sin prestanda.

**Varning!** Före varje typ av underhåll på nätanslutna/sladdlösa elverktyg:

- ◆ Stäng av apparaten/verktyget och drag ur kontakten.
- ◆ Eller stäng av och ta bort batteriet från utrustningen/verktyget om utrustningen/verktyget har ett separat batteripaket.
- ◆ Eller töm batteriet helt om det är inbyggt och stäng sedan av.
- ◆ Tag ur laddarkontakten före rengöring. Laddaren behöver inget underhåll förutom regelbunden rengöring.
- ◆ Rengör regelbundet ventilationsöppningarna på apparaten/verktyget/laddaren med en mjuk borste eller torr trasa.
- ◆ Rengör kåpan regelbundet med en fuktig trasa. Använd aldrig rengöringsmedel med lösnings- eller slipmedel i.
- ◆ Öppna chucken regelbundet och knacka på den för att avlägsna eventuellt damm som hamnat inuti den (när den är monterad).

### Miljöskydd



Särskild insamling. Denna produkt får inte kastas bland vanliga hushållssopor.

Om du någon gång i framtiden behöver ersätta din Black & Decker-produkt med en ny, eller inte längre behöver den, ska du inte kasta den i hushållssoporna. Denna produkt skall lämnas till särskild insamling.



Efter insamling av använda produkter och förpackningsmaterial kan materialen återvinnas och användas på nytt. Användning av återvunna material skonar miljön och minskar förbrukningen av råvaror.

Enligt lokal lagstiftning kan det förekomma särskilda insamlingar av uttjänt elutrustning från hushåll, antingen vid kommunala miljöstationer eller hos detaljhandlaren när du köper en ny produkt.

Black & Decker erbjuder en insamlings- och återvinningstjänst för Black & Decker-produkter när de en gång har tjänat ut. För att använda den här tjänsten lämnar du in produkten till en auktoriserad Black & Decker -reparatör/representant som tar hand om den för din räkning.

Närmaste auktoriserad Black & Decker-representant finner du genom det lokala Black & Decker-kontoret på adressen i den här manualen. Annars kan du söka på Internet, på listan över auktoriserade Black & Decker-representanter och alla uppgifter om vår kundservice och andra kontakter [www.2helpU.com](http://www.2helpU.com)

**Tekniska data**

	KS40 TYPE 1	
Spänning	$V_{AC}$	230
Ineffekt	W	710
Obelastad hastighet	$\text{min}^{-1}$	4.100
Max. snittdjup	mm	40
Bladdiameter	mm	140
Bladhål	mm	12,7
Klingans tandbredd	mm	2,4
Vikt	kg	2,7

**Bullernivå, uppmätt enligt EN 60745:**

Bullernivå ( $L_{pa}$ ) 95,2 dB(A), avvikelse (K) 3 dB(A)  
 Ljudeffekt ( $L_{WA}$ ) 106,2 dB(A), avvikelse (K) 3 dB(A)

**Vibrationens totala värde (treaxelvektorsumma) bestämd enligt EN 60745:**

Vibrationsemissionsvärde ( $a_w$ ) 1,359  $\text{m/s}^2$ , avvikelse (K) 1,5  $\text{m/s}^2$

**EC-förklaring om överensstämmelse**

MASKINDIREKTIVET



Black & Decker deklarerar att dessa produkter, beskrivna under "tekniska data", är tillverkade i överensstämmelse med: 98/37/EG (till 28 dec. 2009), 2006/42/EG (från 29 dec. 2009), EN 60745-1, EN 60745-2-5

För mer information, vänligen kontakta Black & Decker på följande adress eller den som anges på handbokens baksida.

Undertecknad är ansvarig för sammanställningen av den tekniska filen och gör denna försäkran som representant för Black & Decker.

Kevin Hewitt  
 Vice-President Global Engineering  
 Black & Decker Europe, 210 Bath Road, Slough,  
 Berkshire, SL1 3YD  
 Storbritannien  
 1-10-2009

**Reservdelar / reparationer**

Reservdelar finns att köpa hos auktoriserade Black & Decker verkstäder, som även ger kostnadsförslag och reparerar våra produkter.

Förteckning över våra auktoriserade verkstäder finns på Internet, vår hemsida [www.blackanddecker.se](http://www.blackanddecker.se) samt [www.2helpU.com](http://www.2helpU.com)

**Garanti**

Black & Decker garanterar att produkten är fri från material- och/eller fabriktionsfel vid leverans till kund. Garantin är i tillägg till konsumentens lagliga rättigheter och påverkar inte dessa. Garantin gäller inom medlemsstaterna i Europeiska Unionen och i det Europeiska Frihandelsområdet.

Om en Black & Decker produkt går sönder på grund av material- och/eller fabriktionsfel eller brister i överensstämmelse med specifikationen, inom 24 månader från köpet, åtar sig Black & Decker att reparera eller byta ut produkten med minsta besvär för kunden.

Garantin gäller inte för fel som beror på:

- ◆ normalt slitage
- ◆ felaktig användning eller skötsel
- ◆ att produkten skadats av främmande föremål, ämnen eller genom olyckshändelse

Garantin gäller inte om reparation har utförts av någon annan än en auktoriserad Black & Decker verkstad.

För att utnyttja garantin skall produkten och inköpskvittot lämnas till återförsäljaren eller till en auktoriserad verkstad senast 2 månader efter det att felet har upptäckts.

För information om närmaste auktoriserad verkstad; kontakta det lokala Black & Decker kontoret på den adress som är angiven i bruksanvisningen. En lista på alla auktoriserade verkstäder samt servicevillkor finns även tillgängligt på Internet, adress: **www.2helpU.com**

Besök vår webbplats **www.blackanddecker.se** för att registrera din nya Black & Decker-produkt samt för att erhålla information om nya produkter och specialerbjudanden. Vidare information om märket Black & Decker och vårt produktsortiment kan återfinnas på **www.blackanddecker.se**

## Bruksområder

Din Black & Decker sag er designet for saging av tre og treprodukter. Verktøyet er tiltenkt kun som konsumentverktøy.

## Sikkerhetsinstruksjoner

### Generelle sikkerhetsadvarsler for elektroverktøy



**Advarsel! Les alle sikkerhetsadvarsler og alle instruksjoner.** Hvis advarsler og instruksjoner ikke følges, kan det medføre elektrisk støt, brann og/eller alvorlige skader.

**Ta vare på alle advarsler og instruksjoner for fremtidige oppslag.** Uttrykket "elektroverktøy" i alle advarslene nedenfor gjelder for strømdrevne elektroverktøy (med ledning) og batteridrevne elektroverktøy (uten ledning).

#### 1. Sikkerhet i arbeidsområdet

- Hold arbeidsområdet rent og godt opplyst.** Rotete arbeidsområder med dårlig belysning kan føre til ulykker.
- Ikke arbeid med elektroverktøy i eksplosjonsfarlige omgivelser hvor det finnes brennbare væsker, gass eller støv.** Elektroverktøy forårsaker gnister som kan antenne støv eller røyk.
- Hold barn og andre personer unna når elektroverktøyet brukes.** Hvis du blir forstyrret under arbeidet, kan du miste kontrollen.

#### 2. Elektrisk sikkerhet

- Støpselet til elektroverktøyet må passe inn i stikkkontakten. Støpselet må ikke forandres på noen som helst måte. Ikke bruk adapterstøpsler sammen med jordete elektroverktøy.** Bruk av originale støpsler og passende stikkontakter reduserer risikoen for elektrisk støt.
- Unngå kroppskontakt med jordete overflater som rør, radiatorer, komfyrer og kjøleskap.** Det er større fare for elektrisk støt hvis kroppen din er jordet.
- Utsett ikke elektroverktøy for regn eller fuktighet.** Dersom det kommer vann i et elektroverktøy, øker risikoen for elektrisk støt.
- Unngå uforvarlig behandling av ledningen.** Elektroverktøyet må aldri bæres eller trekkes etter ledningen, og trekk heller ikke ut støpselet ved å rykke i ledningen. Hold ledningen unna varme, olje, skarpe kanter eller bevegelige deler. Med skadde eller sammenflokete ledninger øker risikoen for elektrisk støt.
- Når du arbeider utendørs med et elektroverktøy, må du kun bruke en skjøteledning som er godkjent til utendørs bruk.** Ved å bruke en skjøteledning som er egnet for utendørs bruk, reduseres risikoen for elektrisk støt.

- Hvis du må bruke et elektrisk verktøy på et fuktig sted, må du bruke en forsyning som er beskyttet med en reststrømsanordning (RCD).** Bruk av en RCD reduserer risikoen for støt.

#### 3. Personssikkerhet

- Vær oppmerksom, pass på hva du gjør og vis fornuft når du arbeider med et elektroverktøy. Ikke bruk elektroverktøy når du er trett eller er påvirket av narkotika, alkohol eller medikamenter.** Et øyeblikks uoppmerksomhet under bruk av verktøyet kan føre til alvorlige personskader.
  - Bruk personlig verneutstyr. Bruk alltid vernebriller.** Verneutstyr som støvmaske, sko med gode såler, hjelm og hørselsvern bør brukes for å redusere risikoen for personskade.
  - Unngå utilsiktet oppstart. Påse at bryteren er i av-stilling før du kopler til strøm og/eller batteripakke, plukker opp eller bærer verktøyet.** Hvis du bærer et elektrisk verktøy med fingeren på bryteren, eller hvis du setter strøm på et verktøy som har bryteren slått på, inviterer du til ulykker.
  - Fjern innstillingsverktøy eller skrunøkler før du slår på elektroverktøyet.** Et verktøy eller en nøkkel som befinner seg i en roterende del kan føre til personskade.
  - Ikke strekk deg for langt. Pass på at du alltid har sikkert fotfeste og god balanse.** Da kan du kontrollere elektroverktøyet bedre i uventede situasjoner.
  - Bruk alltid egnede klær. Ikke bruk løstsittende klær eller smykker.** Hold hår, klær og hansker unna bevegelige deler. Løstsittende klær, smykker eller langt hår kan komme inn i bevegelige deler.
  - Hvis det kan monteres støvavsug- og oppsamlingsinnretninger, må du forvisse deg om at disse er tilkoblet og brukes på riktig måte.** Bruk av støvavsug reduserer faren i forbindelse med støv.
- #### 4. Aktsom håndtering og bruk av elektroverktøy
- Ikke bruk makt på elektroverktøyet. Bruk et elektroverktøy som er beregnet på den type arbeid du vil utføre.** Med et passende elektroverktøy arbeider du bedre og sikrere i det angitte effektområdet.
  - Ikke bruk elektroverktøyet hvis det ikke lar seg slå på og av med bryteren.** Et elektroverktøy som ikke kan kontrolleres med bryteren er farlig og må repareres.
  - Trekk støpselet ut av stikkkontakten og/eller kople fra batteripakken før du utfører innstillinger på et elektrisk verktøy, skifter tilbehør eller legger verktøyet bort.** Disse tiltakene reduserer risikoen for en utilsiktet start av elektroverktøyet.

- d. **Elektroverktøy som ikke er i bruk må oppbevares utilgjengelig for barn. Ikke la verktøyet brukes av personer som ikke er fortrolig med det eller som ikke har lest disse bruksanvisningene.** Elektroverktøy er farlige når de brukes av uerfarne personer.
- e. **Vær nøye med vedlikehold av elektroverktøy. Kontroller om bevegelige deler fungerer feilfritt og ikke klemmes fast, om deler er brukt eller skadet og andre forhold som kan innvirke på elektroverktøys funksjon. Hvis elektroverktøyet er skadet, må det repareres før bruk.** Dårlig vedlikeholdte elektroverktøy er årsaken til mange uhell.
- f. **Hold skjæreverktøy skarpe og rene.** Godt vedlikeholdte skjæreverktøy med skarpe egger setter seg ikke så ofte fast og er lettere å føre.
- g. **Bruk elektroverktøy, tilbehør, bor osv. i henhold til disse instruksjonene. Ta hensyn til arbeidsforholdene og arbeidet som skal utføres.** Bruk av elektroverktøy til andre formål enn det som er angitt, kan føre til farlige situasjoner.
5. **Service**
- a. **Elektroverktøyet ditt skal alltid repareres av kvalifisert personell og kun med originale reservedeler.** Dette sikrer at elektroverktøys sikkerhet opprettholdes.

### Ekstra sikkerhetsadvarsler for elektroverktøy



**Advarsel!** Ekstra sikkerhetsadvarsler for sager

- a. **Hold hendene unna sagområdet og bladet. Hold din andre hånd på hjelpehåndtaket, eller på motorhuset.** Hvis begge hender holder i sagen, kan de ikke bli skåret av bladet.
- b. **Ikke grip under arbeidsemnet.** Vernet kan ikke beskytte deg mot bladet under arbeidsemnet.
- c. **Juster skjæredybden til tykkelsen på arbeidsemnet.** Minder enn én hel tann av sagbladets tenner bør vises under arbeidsemnet.
- d. **Hold aldri et emne som skjæres i hendene eller over bena. Fest arbeidsemnet til en stabil plattform.** Det er viktig å feste emnet riktig for å redusere kroppskontakt, fastklemming av sagbladet, eller tap av kontroll.
- e. **Hold elektroverktøy i de isolerte gripeflatene når du utfører arbeid der skjæreverktøyet kan komme i kontakt med skjulte ledninger eller sin egen kabel.** Kontakt med en strømførende kabel vil gjøre elektroverktøys metalldele strømførende og gi operatøren støt.
- f. **Når du kløyver må du alltid bruke kløyvevern eller en rett kantføring.** Dette bedrer nøyaktigheten på skjæret og reduserer mulighetene for at bladet skal klemmes.
- g. **Bruk alltid blader med rett størrelse og form (stjerneformet eller undt) på festehullene.** Blad som ikke passer til sagens monteringsdeler vil gå i en eksentrisk bane, noe som forårsaker tap av kontroll.
- h. **Bruk aldri et skadde eller feil underlagsskiver eller skruer.** Underlagsskivene og skruen er spesielt utviklet for din sag, for best mulig ytelse og sikker bruk.

### Ytterligere sikkerhetsinstruksjoner for alle sager

Årsaker til tilbakeslag og hvordan operatøren forhindrer dette:

- ◆ tilbakeslag er en plutselig reaksjon fra et klemt, bøyd eller feilinnstilt sagblad, som gjør at en ukontrollert sag løftes opp av arbeidsemnet og mot operatøren.
- ◆ når bladet er klemt eller bøyd hardt av en sagespalte som lukkes ned, blokkerer bladet og motoraksjonen driver bladet raskt tilbake mot operatøren.
- ◆ hvis bladet blir vridd eller feil rettet i skjæret, kan tennene på den bakre kanten av bladet grave seg inn i den øvre delen av treet og få bladet til å klatre ut av sagespalten og hoppe tilbake mot operatøren.

Tilbakeslag er et resultat av feil bruk av sagen og/eller feil brukerprosedyrer eller forhold, og kan unngås ved å ta riktige forholdsregler som forklart nedenfor.

- a. **Hold et fast grep med begge hender på sagen og posisjoner armene dine for å motstå tilbakeslagskreftene. Plasser kroppen din enten til side bladet, aldri på linje med bladet.** Tilbakeslag kan få bladet til å hoppe bakover, men tilbakeslagskreftene kan kontrolleres av operatøren, hvis riktige forholdsregler er tatt.
- b. **Når bladet klemmes, eller når et kutt blir avbrutt av enhver årsak, må du slipp utløseren og hold sagen stille i materialet til bladet stanser helt opp. Forsøk aldri å fjerne sagen fra emnet eller å trekke sagen bakover mens bladet er i bevegelse, da tilbakeslag kan forekomme.** Finn ut hvorfor bladet klemmes og gjør det som skal til for å eliminere årsaken.
- c. **Når sagen startes igjen i et arbeidsemne, sentrer sagbladet i sagespalten og kontroller at bladets tenner ikke har tak i materialet.** Hvis sagbladet er fastklemt kan det gå ut av- eller slå tilbake fra arbeidsemnet når sagen startes igjen.
- d. **Støtt opp lange bord for å redusere risikoen for at bladet skal klemmes, og for tilbakeslag.** Lange bord har en tendens til å sige under sin egen vekt. Støtter bør plasseres under bordet på begge sider, nær skjærelinjen og nær kanten på bordet.
- e. **Bruk ikke sløve eller skadde sagblader.** Uskarpe eller feilmonterte blader lager en smal sagespalte, noe som forårsaker økt firsjon, fastklemming og tilbakeslag.
- f. **Låsespakene til justering av bladets dybde og vinkel må være strammet til og sikret før skjæringen starter.** Hvis bladet beveger seg under skjæringen, kan dette skape klemming og tilbakeslag.

- g. Vær ekstra forsiktig når du gjør et "innstikkskutt" i vegger eller andre blinde områder.** Bladet kan komme til å skjære i noe som kan forårsake tilbakeslag.

## Sikkerhetsinstruksjoner for sirkelsager med ytre eller indre pendelbladvern og med slepevern

- a. Kontroller at det nedre vernet lukker som det skal før hver gang sagen brukes. Ikkebruks en sag dersom det nedre vernet ikke beveger seg fritt og lukker momentant. Aldri klem eller bind det nedre vernet på plass.** Hvis sagen skulle mistes ned, kan det nedre vernet bli bøyd. Løft det nedre vernet med tilbaketrekkingshåndtaket og sørg for at det beveger seg fritt og ikke berører bladet eller noen annen del i noen vinkel eller dybde for skjæret.
- b. Kontroller at fjæren til det nedre vernet virker. Hvis vernet og fjæren ikke virker riktig, må de repareres før sagen brukes.** Det nedre vernet kan regagere sent som følge av skadde deler, klebrige avleiringer eller opphopning av sagflis.
- c. Det nedre vernet bør kun trekkes tilbake manuelt for spesielle kutt som "innstikk" og "vinkelsnitt". Løft det nedre vernet med tilbaketrekkingshåndtaket, og slipp det ned igjen så fort bladet går inn i materialet.** For alle andre typer saging bør det nedre vernet fungere automatisk.
- d. Kontroller alltid at det nedre vernet dekker bladet før sagen settes ned på en benk eller på gulvet.** Et ubeskyttet og roterende sagblad vil få sagen til å gå bakover og sage alt som kommer i veien. Vær oppmerksom på tiden det tar for at bladet stanser etter at bryteren slippes.

## Ytterligere sikkerhetsinstruksjoner for alle sager med spaltekniv

- a. Bruk en passende spaltekniv for bladet som benyttes.** For at spaltekniven skal virke må den være tykkere enn sagbladet, men tynnere enn tannsettet på sagbladet.
- b. Juster spaltekniven som beskrevet i denne instruksjonsmanualen.** Feil avstand, plassering og innstilling kan gjøre at spaltekniven ikke forhindrer tilbakeslag.
- c. Bruk alltid spaltekniven, bortsett fra ved innstikk.** Spaltekniven bør monteres igjen etter innstikket. Spaltekniven er en hindring under innstikk og kan forårsake tilbakeslag.
- d. For at spaltekniven skal virke må den ha tak i arbeidsemnet.** Spaltekniven kan ikke hindre tilbakeslag under korte snitt.
- e. Bruk ikke sagen dersom spaltekniven er bøyd.** Selv en liten hindring kan senke lukkehastigheten på vernet.

## Andre farer

Følgende farer er alltid til stede ved bruk av sager:

- Skade som følge av berøring av roterende deler.

Selv om du følger relevante sikkerhetsforskrifter og bruker sikkerhetsanordninger, kan visse farer ikke unngås.

Disse er:

- Hørselsskade.
- Fare for ulykker forårsaket av utiltekte deler av det roterende sagbladet.
- Fare for skade ved skifte av sagblad.
- Fare for å klemme fingrene når vern åpnes.
- Helsefarer forårsaket av å puste inn støv som utvikles ved saging i tre, spesielt eik, bøk og sponplater.

## Sagblader

- ◆ Ikke bruk blader med større eller mindre diameter enn anbefalt. For korrekt spesifiserte blad, se tekniske data. Bruk kun bladene som er spesifiserte i denne manualen, og som oppfyller EN 847-1.
- ◆ **Advarsel!** Bruk aldri slipeskiver.

## Andre personers sikkerhet

- ◆ Apparatet er ikke beregnet til å brukes av personer (inkludert barn) med redusert fysisk, sansemessig eller mental kapasitet eller mangel på erfaring og kunnskap, med mindre de er under oppsyn eller har fått opplæring i bruk av apparatet av en person som har ansvaret for deres sikkerhet.
- ◆ Barn må ha tilsyn for å sikre at de ikke leker med apparatet.

## Vibrasjon

De erklærte vibrasjonsnivåene i avsnittet tekniske data og samsvarserklæring er målt i samsvar med en standard testmetode som gis av EN 60745, og kan brukes til å sammenligne et verktøy med et annet. Erklært vibrasjonsnivå kan også brukes i en foreløpig vurdering av eksponering.

**Advarsel!** Vibrasjonsnivået ved faktisk bruk av elektroverktøyet kan variere fra erklært verdi, avhengig av måten verktøyet brukes på. Vibrasjonsnivået kan øke over det oppgitte nivået.

Når du vurderer eksponering til vibrasjon for å bestemme sikkerhetstiltak som anbefalt i 2002/44/EF for å beskytte personer som jevnlig bruker elektroverktøy, bør en estimering av eksponeringen ta hensyn til de faktiske bruksforholdene og måten verktøyet brukes på. Dette inkluderer alle deler av brukssyklusen som f.eks. tidsperioder da verktøyet er slått av og når det går uten belastning, i tillegg til faktisk arbeidstid.

## Etiketter på verktøyet

Følgende symboler befinner seg på verktøyet:



**Advarsel!** Bruker må lese bruksanvisningen for å redusere faren for skader.



## Elektrisk sikkerhet



Dette apparatet er dobbeltisolert. Derfor er ikke jording nødvendig. Kontroller alltid at nettspenningen er i overensstemmelse med spenningen på typeskiltet.

- ◆ Hvis strømledningen skades, må den skiftes ut av fabrikanten eller et autorisert Black & Decker servicesenter for å unngå fare.

## Egenskaper

1. Strømbryter
2. Låseknapp
3. Hovedhåndtak
4. Sidehåndtak
5. Justeringshendel for skjæredybde
6. Skjæredybdeskala
7. Låseknapp for justering av gjæringsvinkel
8. Gjæringsvinkelskala
9. Sagbladbeskyttelse
10. Spak for sagbladbeskyttelse
11. Sagsko
12. Parallellanlegg
13. Spaltekniv

## Montering

**Advarsel!** Før du forsøker noe av følgende, må du passe på at verktøyet er slått av og koblet fra strømtilførselen, og at sagbladet har stoppet.

### Fjerne og montere sagblader (fig. A)

#### Fjerning

- ◆ Sett en skrutrekker i hullet (14) for å forhindre at sagbladet roterer. Du kan også holde i ytre skive (15) ved hjelp av en 18 mm fastnøkkel.
- ◆ Løsne og ta av bladskruen (16) ved å dreie den mot klokken ved hjelp av medfølgende sekskantnøkkel (17).
- ◆ Ta av den ytre skiven (15).
- ◆ Fjern sagbladet (18).

#### Montering

- ◆ Sett sagbladet på den indre skiven (19), og kontroller at pilen på bladet peker i samme retning som pilen på verktøyet.
- ◆ Sett den ytre skiven (15) på spindelen, og la den opphøye delen peke bort fra sagbladet.
- ◆ Sett bladskruen (16) i hullet.
- ◆ Sett en skrutrekker i hullet (14) for å forhindre at sagbladet roterer. Du kan også holde i ytre skive (15) ved hjelp av en 18 mm fastnøkkel.

- ◆ Stram festeskruen godt ved hjelp av medfølgende sekskantnøkkel (17).
- ◆ Juster spaltekniven som forklart nedenfor.

### Justere spaltekniven (fig. B)

Spaltekniven forhindrer at sagbladet ikke setter seg fast under kløvsaging. Spaltekniven må justeres om man bytter sagblad.

- ◆ Løsne skruen (20).
- ◆ Plasser spaltekniven (13) som angitt.
  - Avstanden mellom tanneggen og spaltekniven bør være 2-3 mm.
  - Høydeforskjellen mellom tanneggen og nedre ende av spaltekniven bør være 2-3 mm.
- ◆ Stram skruen (20).

### Montere og fjerne parallellanlegget (fig. E)

Parallellanlegget brukes for å sage i en rett linje parallelt med kanten på arbeidsemnet.

#### Montering

- ◆ Løsne låseknappen (21).
- ◆ Sett parallellanlegget (12) inn i åpningene (22).
- ◆ Skyv parallellanlegget inn på ønsket posisjon.
- ◆ Stram låseknappen.

#### Fjerning

- ◆ Løsne låseknappen (21).
- ◆ Trekk parallellanlegget av verktøyet.

## Bruk

**Advarsel!** La verktøyet jobbe med sin egen hastighet. Ikke overbelast det.

Dette verktøyet kan brukes i høyre hånd eller i venstre hånd.

**Advarsel!** Før ledningen forsiktig, slik at du unngår å kappe den over ved et uhell.

### Justere skjæredybden (fig. D)

Skjæredybden bør stilles inn i forhold til tykkelsen på arbeidsemnet. Den bør være omtrent 2 mm mer enn tykkelsen på emnet.

- ◆ Løsne knappen (5) for å frigjøre sagskoen.
- ◆ Flytt sagskoen (11) til ønsket posisjon. Aktuell skjæredybde kan avleses fra skalaen (6).
- ◆ Stram knappen for å låse sagskoen på plass.

### Justere gjæringsvinkel (fig. E)

Dette verktøyet kan stilles til gjæringsvinkler mellom 0° og 45°.

- ◆ Løsne låseknappen (7) for å frigjøre sagskoen.
- ◆ Flytt sagskoen (11) til ønsket posisjon. Den tilsvarende gjæringsvinkelen kan avleses fra skalaen (8).
- ◆ Stram låseknappen for å låse sagskoen på plass.

## Start og stopp

**Advarsel!** Kontroller at du fjerner sekskantnøkkelen fra festeskruen til bladet før du slår på maskinen.

### Slå på

- ◆ Hold låseknappen (2) nede og trykk på strømbryteren (1).
- ◆ Slipp låseknappen.

### Slå av

- ◆ Slipp strømbryteren.

## Justere sagen mot skjærelinjen (fig. F)

Sagen er utstyrt med 2 guider for rett saging (23) og 2 guider for 45° gjæringssaging (24).

- ◆ Rett inn guidenes venstre kant (23) eller (24) mot sagelinjen (25).

For svært nøyaktige kutt:

- ◆ Marker sagelinjen på prøvebit av tre.
- ◆ Rett inn guidenes venstre kant (23) eller (24) mot sagelinjen (25).
- ◆ Foretå en prøveskjæring.
- ◆ Avhengig av resultatet, justerer du guidene i forhold til sagelinjen.

## Fjerning av sagspon (fig. G)

Det trengs en adapter for å koble en støvsuger eller grovsuger til verktøyet. Adapteren kan leveres fra din lokale Black & Decker-forhandler.

- ◆ Skyv inn grovsugeradapteren i sponutkastet (26).
- ◆ Kople støvsugerslangen til adapteren.

## Råd for optimalt resultat

- ◆ Da det er uunngåelig at treet fliser seg langs sagelinjen på oversiden av arbeidsemnet, bør du sage slik at eventuell flising kommer på undersiden av emnet.
- ◆ I de tilfeller hvor det er viktig å redusere flising til et minimum, f. eks. når du sager laminater, plasserer du et stykke finér oppå arbeidsemnet.

## Tilbehør

Verktøyet bruksområde er avhengig av hvilket tilbehør du velger. Tilbehør fra Black & Decker og Piranha er utformet i henhold til høye kvalitetsstandarder og er utformet for å gi optimal ytelse ved bruk sammen med ditt verktøy. Når du bruker dette tilbehøret, får du optimal ytelse fra ditt verktøy.

## Vedlikehold

Ditt Black & Decker-apparat/verktøy med eller uten ledning er konstruert for å være i drift over en lang periode med et minimum av vedlikehold. Det er avhengig av godt vedlikehold og regelmessig rengjøring for å fungere som det skal til enhver tid.

**Advarsel!** Før du utfører vedlikehold på elektroverktøy med ledning eller batteri:

- ◆ Slå av og trekk ut støpselet av kontakten.
- ◆ Eller slå av og ta batteriet ut av apparatet/verktøyet hvis det har en separat batteripakke.
- ◆ Eller kjøp batteriet helt tomt hvis det er innebygd, for deretter å slå av.
- ◆ Trekk ut kontakten før du rengjør laderen. Laderen din behøver ikke annet vedlikehold enn at den rengjøres med jevne mellomrom.
- ◆ Rengjør ventilasjonsåpningene på apparatet/verktøyet/laderen regelmessig med en myk børste eller en tørr klut.
- ◆ Rengjør motorhuset regelmessig med en fuktig klut. Ikke bruk slipende eller løsemiddelbaserte rengjøringsmidler.
- ◆ Åpne opp chocken regelmessig, og slå lett på den for å fjerne eventuelt støv fra insiden (når den er innebygd).

## Miljøvern



Kildesortering. Dette produktet må ikke kastes i det vanlige husholdningsavfallet.

Hvis du finner ut at Black & Decker-produktet ditt må skiftes ut, eller hvis du ikke lenger har bruk for det, må du unnlate å kaste det sammen med det vanlige husholdningsavfallet. Sørg for at dette produktet gjøres tilgjengelig for kildesortering.



Kildesortering av brukte produkter og emballasje gjør det mulig å resirkulere materialer og bruke dem igjen. Gjenbruk av resirkulerte materialer bidrar til å forhindre forurensning av miljøet og reduserer behovet for råmaterialer.

Lokale regelverk kan legge tilrette for kildesortering av elektriske produkter fra husholdningen, ved kommunale deponier eller gjennom forhandleren når du kjøper et nytt produkt.

Black & Decker har tilrettelagt for innsamling og resirkulering av Black & Decker-produkter etter at de har utspilt sin rolle. Ønsker du å benytte deg av denne tjenesten, returnerer du produktet ditt til et autorisert serviceverksted, som tar det imot og formidler det videre.

Du kan få adressen til ditt nærmeste autoriserte serviceverksted ved å kontakte ditt lokale Black & Decker-kontor på adressen oppgitt i denne håndboken. Du kan også finne en komplett liste over autoriserte Black & Decker-serviceverksteder og utfyllende informasjon om vår etter salg-service og kontaktnumre på Internett på følgende adresse: [www.2helpU.com](http://www.2helpU.com)

**Tekniske data**

	KS40 TYPE 1
Spenning	V <sub>AC</sub> 230
Inn-effekt	W 710
Hastighet ubelastet	min <sup>-1</sup> 4.100
Maks. sagedybde	mm 40
Bladdiameter	mm 140
Hulldiameter	mm 12,7
Bladets tannbredde	mm 2,4
Vekt	kg 2,7

**Lydnivået, målt i henhold til EN 60745:**

Lydtrykk (L<sub>pa</sub>) 95,2 dB(A), usikkerhet (K) 3 dB(A)  
 Lydeffekt (L<sub>wa</sub>) 106,2 dB(A), usikkerhet (K) 3 dB(A)

**Totalverdier, vibrasjon (triax vektorsum) bestemt ifølge EN 60745:**

Vibrasjonsverdi (a<sub>w</sub>) 1,359 m/s<sup>2</sup>, usikkerhet (K) 1,5 m/s<sup>2</sup>

**Samsvarserklæring for EU**

MASKINDIREKTIVET



KS40

Black & Decker erklærer at produktene som beskrives under "tekniske data" oppfyller kravene til: 98/37/EF (til 28. desember 2009), 2006/42/EF (fra 29. desember 2009), EN 60745-1, EN 60745-2-5

For mer informasjon, kontakt Black & Decker på følgende adresse eller se bakerst i håndboken.

Undertegnede er ansvarlig for sammenstillingen av den tekniske filen og avgir denne erklæringen på vegne av Black & Decker.

Kevin Hewitt  
 Visepresident, Global Engineering  
 Black & Decker Europe, 210 Bath Road, Slough,  
 Berkshire, SL1 3YD  
 Storbritannia  
 1-10-2009

**Garanti**

Black & Decker garanterer at produktet ikke har material- og/eller fabrikasjonsfeil ved levering til kunde. Garantien er i tillegg til kundens lovlige rettigheter og påvirker ikke disse. Garantien gjelder innen medlemsstatene i den Europeiske Unionen og i det Europeiske Frihandelsområdet.

Hvis et Black & Decker produkt går i stykker på grunn av material- og/eller fabrikasjonsfeil eller har mangler i forhold til spesifikasjonene, innen 24 måneder fra kjøpet, påtar Black & Decker seg å reparere eller bytte ut produktet med minst mulig vanskelighet for kunden.

Garantien gjelder ikke for feil som kommer av:

- ◆ normal slittasje
- ◆ feilaktig bruk eller vedlikehold (mislighold)
- ◆ at produktet har blitt skadet av fremmede gjenstander, emner eller ved et uhell

Det gjøres oppmerksom på at produktet ikke er beregnet på industriell/profesjonell/yrkesmessig bruk, men til hus- og hjemmebruk.

Garantien gjelder ikke om reparasjoner har blitt utført av noen andre enn et autorisert Black & Decker serviceverksted.

For å ta garantien i bruk skal produktet og kjøpekvittring leveres til forhandleren eller til et autorisert serviceverksted senest 2 måneder etter at feilen har blitt oppdaget. For informasjon om nærmeste autoriserte serviceverksted; kontakt det lokale Black & Decker kontoret på den adressen som er angitt i bruksanvisningen. En oversikt over alle autoriserte serviceverksteder samt servicevilkår finnes også tilgjengelig på Internet, adresse: [www.2helpU.com](http://www.2helpU.com)

Vennligst stikk innom våre nettsider på [www.blackanddecker.no](http://www.blackanddecker.no) for å registrere ditt nye Black & Decker-produkt og for å holde deg oppdatert om nye produkter og spesialtilbud. Du finner mer informasjon om Black & Decker og produktutvalget vårt på [www.blackanddecker.no](http://www.blackanddecker.no)

**Reservdeler / reparasjoner**

Reservdeler kan kjøpes hos autoriserte Black & Decker serviceverksteder, som også gir kostnadsoverslag og reparerer våre produkter.

Oversikt over våre autoriserte serviceverksteder finnes på Internet, vår hjemmeside [www.blackanddecker.no](http://www.blackanddecker.no) samt [www.2helpU.com](http://www.2helpU.com)

## Anvendelsesområde

Din Black & Decker sav er designet til savning af træ og træprodukter. Værktøjet er kun beregnet til privat brug.

## Sikkerhedsinstruktioner

### Generelle sikkerhedsadvarsler for værktøjet



**Advarsel! Læs alle sikkerhedsadvarsler og instrukser.** Hvis nedenstående advarsler og instrukser ikke følges, er der risiko for elektrisk stød, brand og/eller alvorlige personskader.

### Gem alle advarsler og instruktioner til fremtidig brug.

Det benyttede begreb "el-værktøj" i nedennævnte advarsler refererer til el-netdrevne (med tilslutningsledning) eller batteridrevne maskiner (uden tilslutningsledning).

#### 1. Sikkerhed i arbejdsområdet

- Sørg for, at arbejdsområdet er rent og ryddeligt.**  
Rodede eller uoplyste arbejdsområder øger faren for uheld.
- Brug ikke el-værktøj i eksplosionstruede omgivelser, f.eks. hvor der er brændbare væsker, gasser eller støv.**  
El-værktøj kan slå gnister, der kan antænde støv eller dampe.
- Sørg for, at børn og andre personer holder sig på afstand, når el-værktøjet er i brug.** Hvis man distraheres, kan man miste kontrollen over maskinen.

#### 2. El-sikkerhed

- El-værktøjsstik skal passe til kontakten. Stikkene må under ingen omstændigheder ændres. Brug ikke adapterstik sammen med jordforbundet el-værktøj.**  
Uændrede stik, der passer til kontakterne, nedsætter risikoen for elektrisk stød.
- Undgå kropskontakt med jordforbundne overflader som f.eks. rør, radiatorer, komfurer og køleskabe.** Hvis din krop er jordforbundet, øges risikoen for elektrisk stød.
- El-værktøj må ikke udsættes for regn eller fugt.**  
Indtrængen af vand i el-værktøj øger risikoen for elektrisk stød.
- Undgå at ødelægge ledningen. Undgå at bære, trække eller afbryde el-værktøjet ved at rykke i ledningen.**  
Beskyt ledningen mod varme, olie, skarpe kanter eller maskindele, der er i bevægelse. Beskadigede eller udviklede ledninger øger risikoen for elektrisk stød.
- Hvis el-værktøj benyttes i det fri, skal der benyttes en forlængerledning, som er godkendt til udendørs brug.**  
Brug af en forlængerledning til udendørs brug nedsætter risikoen for elektrisk stød.
- Ved anvendelse af et elektrisk værktøj i områder med damp, anvend da en beskyttende afskærmning.**  
Denne afskærmning reducerer risikoen for elektrisk stød.

#### 3. Personlig sikkerhed

- Vær opmærksom, hold øje med, hvad du laver, og brug el-værktøjet fornuftigt.** Man bør ikke bruge maskinen, hvis man er træt, har nydt alkohol eller er påvirket af medicin eller euforiserende stoffer.  
Få sekunders uopmærksomhed ved brug af el-værktøjet kan føre til alvorlige personskader.
  - Anvend sikkerhedsudstyr. Bær altid beskyttelsesbriller.**  
Beskyttende udstyr, som en støvmaske, skridsikre sikkerhedssko, beskyttelseshjelm eller ørepropper anvendt i de rigtige betingelser reducere ulykker.
  - Forebyg umotiveret opstart. Vær sikker på, at kontakten er slukket før du forbinder kraftkilden og/eller batteriet, løfter eller bærer værktøjet.** Hvis du bærer på værktøjet med din finger på kontakten eller starter værktøjet med kontakten slået til indbyder til ulykker.
  - Fjern indstillingsværktøj eller skruenøgle, inden el-værktøjet tændes.** Et værktøj eller en nøgle, der efterlades i en roterende del i el-værktøjet, kan resultere i personskader.
  - Overvurder ikke dig selv. Sørg for, at du altid har sikkert fodfæste og balance.** Det gør det nemmere at kontrollere el-værktøjet, hvis der skulle opstå uventede situationer.
  - Brug egnet arbejdstøj. Undgå løse beklædningsgenstande eller smykker.** Hold hår, tøj og handsker væk fra dele, der bevæger sig. Bevægelige dele kan gribe fat i løstsiddende tøj, smykker eller langt hår.
  - Hvis støvudsugnings- og opsamlingsudstyr kan monteres, er det vigtigt, at dette tilsluttes og benyttes korrekt.** Brug af støvopsamling nedsætter risikoen for personskader som følge af støv.
- #### 4. Brug og vedligeholdelse af el-værktøj
- Undgå at overbelaste el-værktøjet. Brug altid det rette el-værktøj til opgaven.** Med det rigtige el-værktøj udføres arbejdet lettere og sikrere inden for det angivne effektområde.
  - Brug ikke el-værktøjet, hvis afbryderen er defekt.**  
El-værktøj, der ikke kan reguleres med afbryderen, er farligt og skal repareres.
  - Træk stikket ud af stikkontakten og/eller afmonter batteriet inden indstilling, tilbehørsudskiftning eller opbevaring af el-værktøjet.** Disse sikkerhedsforanstaltninger reducerer risikoen for utilsigtet start af værktøjet.
  - Opbevar ubenyttet el-værktøj uden for børns rækkevidde. Lad aldrig personer, der ikke er fortrolige med el-værktøj, eller som ikke har gennemlæst disse instrukser, benytte maskinen.** El-værktøj er farligt, hvis det benyttes af ukundige personer.

- e. **El-værktøj bør vedligeholdes omhyggeligt. Kontroller, om bevægelige dele er skæve og ikke sidder fast, og om delene er brækket eller beskadiget, således at el-værktøjets funktion påvirkes. Få beskadigede dele repareret, inden el-værktøjet tages i brug.** Mange uheld skyldes dårligt vedligeholdt el-værktøj.
- f. **Sørg for, at skæreværktøjer er skarpe og rene.** Omhyggeligt vedligeholdt skæreværktøjer med skarpe skærekanter sætter sig ikke så hurtigt fast og er nemmere at føre.
- g. **Brug el-værktøj, tilbehør, indsatsværktøj osv. i overensstemmelse med disse instrukser, og sådan som det kræves for denne specielle værktøjstype. Tag hensyn til arbejdsforholdene og det arbejde, der skal udføres.** I tilfælde af anvendelse af el-værktøjet til formål, som ligger uden for det fastsatte anvendelsesområde, kan der opstå farlige situationer.

## 5. Service

- a. **Sørg for, at el-værktøjet kun repareres af kvalificerede fagfolk, og at der kun benyttes originale reservedele.** Dermed bevares el-værktøjets sikkerhed.

## Yderligere sikkerhedsadvarsler for værktøjet



**Advarsel!** Yderligere sikkerhedsadvarsler for save

- a. **Stik aldrig hånden ind i skæreområdet eller ind til savklingen. Tag fat om støttegrebet eller motorhuset med den anden hånd.** Når man holder rundsaven med begge hænder, kan man ikke komme til at skære fingrene på klingen.
- b. **Stik aldrig hånden ind under arbejdsemnet.** Beskyttelseskærmen giver ingen beskyttelse mod klingen på emnets underside.
- c. **Indstil skæredybden til arbejdsemnets tykkelse.** Mindre end en hel savtand på klingen må være synlig under arbejdsemnet.
- d. **Hold aldrig et arbejdsemne i hånden eller over et knæ, når der skal saves i det. Emnet skal fikseres på et stabilt underlag.** Det er vigtigt, at emnet sættes godt fast for at minimere risikoen for, at brugeren rammer sig selv og for, at klingen sætter sig fast eller kommer ud af kontrol.
- e. **Hold altid kun fast på maskinen på de isolerede håndtagsflader, når der skal saves i emner, hvor der er risiko for, at skæreværktøjet kan komme i kontakt med strømførende ledninger eller apparatets eget kabel.** Ved kontakt med strømførende ledninger vil metaldelene på maskinen være under spænding og give elektrisk stød.
- f. **Anvend altid et anslag eller et lige landstyr ved skæring på langs.** Det vil forbedre skærepræcisionen og reducere muligheden for, at savklingen sætter sig fast.
- g. **Anvend altid en savklinge i den rigtige størrelse og med det passende spændeul (f.eks. stjerneformet eller rund).** Savklinger, der ikke passer til monteringsdele på saven, vil køre ujævnt og kan nemt få maskinen til at gå ud af kontrol.
- h. **Anvend aldrig beskadigede eller forkerte underlagsskiver eller skruer til savklingen.** Underlagsskiver og skruer til savklinger bliver konstrueret specielt til den enkelte sav, så man opnår optimal ydelse og driftssikkerhed.

## Flere sikkerhedsinstruktioner til alle save

Årsager til og undgåelse af tilbageslag (kickback):

- ◆ tilbageslag betyder en pludselig reaktion på en fastklemt, blokeret eller forkert monteret savklinge, hvilket bevirker, at den ukontrollerede sav kan løfte sig opad og ud af arbejdsemnet og blive slynget op mod brugeren;
- ◆ hvis klingen binder eller sætter sig fast i savsnittet, der lukker sig, bliver den blokeret, og motorkraften slynger maskinen tilbage mod brugeren;
- ◆ hvis savklingen drejes eller rettes forkert ind i savsnittet, kan tænderne i den bageste del af savklingen bide sig fast i arbejdsemnets overflade, og derefter vil klingen arbejde sig ud af snittet og saven blive slynget tilbage mod brugeren.

Et tilbageslag (kickback) opstår som følge af forkert brug eller misbrug af maskinen. Det kan undgås ved at tage nedenstående forholdsregler.

- a. **Hold fast på saven med begge hænder og hold armene på en sådan måde, at du kan opfange styrken fra et tilbageslag. Stå altid på den ene side af savklingen. Savklingen må aldrig stå på linje med kroppen.** Ved tilbageslag kan rundsaven springe bagud, men brugeren kan opfange tilbageslagskraften ved at stå rigtigt.
- b. **Hvis savklingen binder eller savningen skal afbrydes af en anden grund, så slip afbryderkontakten og lad saven blive siddende i emnet, indtil savklingen står helt stille. Prøv aldrig på at tage saven ud af emnet eller at trække den tilbage, så længe savklingen bevæger sig eller der er risiko for tilbageslag.** Find ud af, hvorfor savklingen har sat sig fast, og træf passende forholdsregler, så det ikke kan ske igen.
- c. **Når man igen vil starte en sav, som har sat sig fast i emnet, skal savklingen centreres i savsnittet, hvorefter man kontrollerer, at savtænderne ikke har sat sig fast i emnet.** Hvis savklingen binder, kan den arbejde sig ud af arbejdsemnet og forårsage tilbageslag, når man starter saven igen.
- d. **Store plader skal afstøttes for at mindske risikoen for tilbageslag på grund af, at savklingen sætter sig fast.** Store plader har en tendens til at bøje ned i midten på grund af deres egenvægt. Plader skal afstøttes på begge sider, både i nærheden af savsnittet og ved pladens kant.

- e. **Anvend aldrig en sløv eller beskadiget savklinge.** En savklinge med sløve eller forkert rettede tænder giver et smalt savsnit, der kan give for høj friktion, få klingen til at sætte sig fast og forårsage tilbageslag.
- f. **Skæredybden og skærevinklen skal indstilles og spændes fast, før man begynder at save.** Hvis indstillingen ændres under savningen, kan savklingen sætte sig fast og der kan opstå tilbageslag.
- g. **Vær især forsigtig, hvis der skal udføres et "dyksnit" i et uoverskueligt område, f.eks. i en eksisterende væg.** Savklingen, der skal dykke ned, kan blive blokeret i skjulte genstande og give tilbageslag.
- b. **Juster spaltekniven, som beskrevet i betjeningsvejledningen.** En forkert tykkelse, position og justering kan være grunde til, at spaltekniven ikke effektivt kan forhindre tilbageslag.
- c. **Anvend altid spaltekniven, undtagen ved dyksnit.** Monter spaltekniven igen efter dyksnittet. Spaltekniven er i vejen ved dyksnit og kan udløse tilbageslag.
- d. **For at spaltekniven skal kunne virke, skal den sidde i savsnittet.** Ved korte snit er spaltekniven uvirksom og kan ikke forhindre tilbageslag.
- e. **Saven må aldrig bruges, hvis spaltekniven er bøjet.** Blot en lille fejl kan få beskyttelseskappen til at lukke sig langsommere.

#### Sikkerhedsinstruktioner for rundsave med ydre eller indre pendulafskærmning og trækafskærmning

- a. **Kontroller først, at den nederste afskærmning lukker korrekt, hver gang el-værktøjet skal bruges. Anvend aldrig saven, hvis den nederste afskærmning ikke kan bevæges frit og ikke lukker sig øjeblikkeligt.** Den nederste afskærmning må aldrig klemmes eller bindes fast i åbnet stilling. Hvis saven falder ned ved et uheld, kan den nederste afskærmning blive bøjet. Åbn afskærmningen med tilbagetrækshåndtaget og overbevis dig om, at den kan bevæges frit og hverken berører savklingen eller andre dele ved alle skærevinkler og -dybder.
- b. **Kontroller af fjedrene til den nederste afskærmning fungerer ordentligt. Få udført service på maskinen, før den bruges igen, hvis afskærmningen og fjederen ikke fungerer korrekt.** Den nederste afskærmning kan gå trægt, hvis der er beskadigede dele, klæbrige rester eller større spånaflejringer i kappen.
- c. **Den nederste afskærmning må kun åbnes manuelt i forbindelse med specielle snit, f.eks. "dyksnit" og "vinkelsnit".** Åbn den nederste afskærmning med tilbagetrækshåndtaget og slip håndtaget igen, så snart savklingen er trængt ned i arbejdsemnet. Ved alle andre former for savning skal den nederste afskærmning fungere automatisk.
- d. **Læg aldrig saven fra dig på et arbejdsbord eller på jorden, uden at den nederste afskærmning dækker savklingen.** En ubeskyttet savklinge med efterløb vil få saven til at flytte sig baglæns og vil save i alting, der kommer i vejen for den. Derfor er det vigtigt at holde øje med savens efterløbstid.

#### Yderligere sikkerhedsinstruktioner til alle save med spalteklinge

- a. **Anvend en spaltekniv, der passer til den isatte savklinge.** Spaltekniven skal være tykkere end klingens krop, men tyndere end klingens tandbredde.

#### Øvrige risici

Følgende risici hører med til brug af saven:

- Skader forårsaget af berøring af roterende dele.

Selv ved overholdelse af de relevante sikkerhedsbestemmelser og anvendelse af sikkerhedsudstyr, kan visse overskydende risici ikke undgås. Disse er:

- Høreskader.
- Risiko for skader forårsaget af utildækkede dele af den roterende savklinge.
- Risiko for skader ved skift af klinge.
- Risiko for klemte fingre ved brug af afskærmningerne.
- Sundhedsskader på grund af indåndning af støv ved savning af træ, især eg, birk og MDF.

#### Klinger

- ◆ Brug ikke klinger med større eller mindre diameter en de anbefalede. Vedrørende korrekte klingspecifikationer, se de tekniske data. Brug kun klinger, der er angivet i denne håndbog, og som er i overensstemmelse med EN 847-1.
- ◆ **Advarsel!** Brug aldrig slibehjul.

#### Andres sikkerhed

- ◆ Dette apparat er ikke egnet for at brug af personer (inklusive børn) med manglende fysiske, sensorielle eller mentale evner eller erfaring, med mindre de har modtaget undervisning eller instruktioner i brug af apparatet fra en person, som er ansvarlig for sikkerheden.
- ◆ Der skal være opsyn med børn for at sikre, at de ikke leger med apparatet.

#### Vibration

De deklarerede vibrationsemissionsværdier, som er angivet i tekniske data og overensstemmelseserklæring er blevet udmålt i overensstemmelse med en standardtestmetode foreskrevet af EN 60745 og kan anvendes til at sammenligne et værktøj med et andet. De deklarerede vibrationsemissionsværdier kan ligeledes anvendes i en præliminær undersøgelse af eksponeringen.

**Advarsel!** Vibrationsemissionsværdien under den faktiske brug af værktøjet kan variere fra den deklarerede værdi, alt efter hvilken måde værktøjet anvendes på. Vibrationerne kan nå op på et niveau over det anførte.

Når vibrationseksponeringen undersøges med det formål at fastsætte sikkerhedsforanstaltningerne ifølge 2002/44/EF for at beskytte personer, som regelmæssigt anvender værktøjer i forbindelse med deres arbejde, bør en måling af vibrationseksponeringen betænke, den måde værktøjet anvendes på inklusive alle dele af arbejds cyklussen såsom tidspunkter, hvor værktøjet er slukket eller kører i tomgang, ud over det tidsrum hvor det anvendes.

### Etiketter på værktøjet

Følgende piktogrammer ses på værktøjet:



**Advarsel!** For at mindske risikoen for skader skal brugeren læse instruktionsmanualen.

### El-sikkerhed



Denne maskine er dobbelt isoleret. Derfor er jordledning ikke nødvendig. Kontroller altid, at strømforsyningen svarer til spændingen på apparatets skilt.

- ◆ Hvis el-ledningen er skadet, skal den udskiftes af producenten eller et autoriseret Black & Decker servicecenter for at undgå ulykker.

### Funktioner

1. Afbryder
2. Låseknop
3. Hovedhåndtag
4. Sidehåndtag
5. Stang til justering af skæredybde
6. Skæredybdeskala
7. Låseknop til geringsvinkeljustering
8. Geringsvinkelskala
9. Afskærmning til savklinge
10. Tilbagestrøkningshåndtag til savklings beskyttelseskærm
11. Savsko
12. Parallelanlæg
13. Spaltekniv

### Montering

**Advarsel!** For man udfører nogen af nedenstående operationer, skal man sikre sig, at værktøjet er slukket og taget ud af stikkontakten, og at savklingen er standset.

### Demontering og montering af en savklinge (fig. A)

#### Fjernelse

- ◆ Sæt en skruetrækker i hullet (14) for at forhindre savklingen i at rotere. Eller hold på den udvendige spændeskive (15) med en 18 mm skruenøgle.
- ◆ Løsn og demonter klingens fastholdelseskruer (16) ved at skrue den mod uret ved hjælp af unbrakonøglen (17), der leveres med værktøjet.
- ◆ Fjern den udvendige spændeskive (15).
- ◆ Fjern savklingen (18).

#### Montering

- ◆ Sæt savklingen på den indvendige spændeskive (19), idet du sørger for, at pilen på klingens peger i samme retning som pilen på værktøjet.
- ◆ Sæt den udvendige spændeskive (15) på spindelen med den løftede del pegende væk fra savklingen.
- ◆ Indsæt klingens fastholdelseskruer (16) i hullet.
- ◆ Sæt en skruetrækker i hullet (14) for at forhindre savklingen i at rotere. Eller hold på den udvendige spændeskive (15) med en 18 mm skruenøgle.
- ◆ Stram klingens fastholdelseskruer godt ved at skrue den med uret ved hjælp af unbrakonøglen (17), der leveres med værktøjet.
- ◆ Justér spaltekniven som beskrevet nedenfor.

### Justering af spaltekniven (fig. B)

Spaltekniven forhindrer savklingen i at blokere under kløvningsoperationer. Spaltekniven skal justeres efter udskiftning af savklingen.

- ◆ Løsn skruen (20).
- ◆ Placér spaltekniven (13) som vist.
  - Afstanden mellem tandremmen og spaltekniven skal være 2 - 3 mm.
  - Højdeforskellen mellem tandremmen og underkanten af spaltekniven skal være 2 - 3 mm.
- ◆ Spænd skruen (20).

### Påsætning og aftagning af parallelanlægget (fig. E)

Parallelanlægget bruges til savning i en ret linie parallelt med kanten af emnet.

#### Montering

- ◆ Løsn låseknappen (21).
- ◆ Sæt parallelanlægget (12) gennem åbningerne (22).
- ◆ Skub parallelanlægget til den ønskede position.
- ◆ Stram låseskruen.

#### Fjernelse

- ◆ Løsn låseknappen (21).
- ◆ Træk parallelanlægget af værktøjet.

## Anvendelse

**Advarsel!** Lad værktøjet arbejde i dets eget tempo. Det må ikke overbelastes.

Dette værktøj kan betjenes med både højre og venstre hånd.

**Advarsel!** Før ledningen omhyggeligt for at undgå at komme til at klippe den over.

### Justering af skæredybden (fig. D)

Skæredybden skal indstilles i overensstemmelse med emnets tykkelse. Den skal overstige tykkelsen med ca. 2 mm.

- ◆ Løsn knappen (5) for at låse savskoer op.
- ◆ Flyt savskoer (11) til den ønskede position. Den tilsvarende skæredybde kan aflæses på skalaen (6).
- ◆ Stram knappen for at låse savskoer på plads.

### Justering af geringsvinklen (fig. E)

Dette værktøj kan indstilles til geringsvinkler mellem 0° og 45°.

- ◆ Løsn låseknappen (7) for at låse savskoer op.
- ◆ Flyt savskoer (11) til den ønskede position. Den tilsvarende geringsvinkel kan aflæses på skalaen (8).
- ◆ Stram låseknappen for at låse savskoer på plads.

## Start og stop

**Advarsel!** Sørg for, at unbraconøglen fjernes fra klingens fastholdelsesskrue, før du tænder for motoren.

### Tænding

- ◆ Hold låseknappen (2) inde, og tryk på afbryderen (1).
- ◆ Slip låseknappen.

### Slukning

- ◆ Slip afbryderknappen.

### Justering af saven efter skærelinien (fig. F)

Saven er udstyret med to styr til vinkelret savning (23) og to styr til geringsssavning i 45° (24).

- ◆ Justér den venstre kant af styrene (23) eller (24) efter skærelinien (25).

Gør følgende for at opnå en nøjagtig savning:

- ◆ Markér en skærelinie på et stykke affaldstræ.
- ◆ Justér den venstre kant af styrene (23) eller (24) efter skærelinien (25).
- ◆ Udfør en testsavning.
- ◆ Afhængigt af resultatet justeres placeringen af styrene i forhold til skærelinien.

### Støvudsugning (fig. G)

Der skal bruges en adapter til at tilslutte en støvsuger eller et støvudsugningsapparat til værktøjet. Adapteren kan købes hos den lokale Black & Decker-forhandler.

- ◆ Indsæt støvudsugningsadapteren i savens støvudgang (26).
- ◆ Tilslut støvsugerslangen til adapteren.

### Gode råd til optimalt brug

- ◆ Da en vis splintring langs med skærelinjen på oversiden af emnet er uundgåelig, kan det tilrådes at save fra den side, hvor splintringen er acceptabel.
- ◆ Hvis splintringen skal være minimal, f.eks. ved savning af laminater, kan man klemme et stykke krydsfiner fast oven på emnet.

### Tilbehør

Værktøjets ydeevne afhænger af, hvilket tilbehør der bruges. Black & Decker og Piranha tilbehør er konstrueret, så det opfylder høje kvalitetsstandarder, og det er beregnet til at forbedre værktøjets ydeevne. Bruger du dette tilbehør, vil du få det allerbedste ud af værktøjet.

### Vedligeholdelse

Dit el-/batteridrevne Black & Decker apparat/værktøj er designet til at være i drift i lang tid og med minimal vedligeholdelse. Fortsat tilfredsstillende anvendelse afhænger af, at værktøjet behandles korrekt og gøres rent med regelmæssige mellemrum.

**Advarsel!** Før der udføres vedligeholdelse af el-/batteridrevne værktøj:

- ◆ Sluk for apparatet/værktøjet og træk stikket ud af kontakten.
- ◆ Eller sluk og fjern batteriet fra apparatet/værktøjet, hvis apparatet/værktøjet har et separat akkumulatorbatteri.
- ◆ Aflad ellers batteri helt, hvis det er integreret, og sluk derefter.
- ◆ Tag opladeren ud af stikkontakten før rengøring. Opladeren kræver ingen anden vedligeholdelse end regelmæssig rengøring.
- ◆ Rengør regelmæssigt apparatets/værktøjets ventilationshuller og oplader med en blød børste eller en tør klud.
- ◆ Man skal regelmæssigt gøre motorhuset rent med en fugtig klud. Man må ikke bruge rensmidler med slibemidler eller opløsningsmidler.
- ◆ Man skal regelmæssigt åbne patronen og banke den let for at fjerne støv fra dens indre (når den er installeret).

### Beskyttelse af miljøet



Separat indsamling. Dette produkt må ikke bortskaffes sammen med almindeligt husholdningsaffald.



Hvis du en dag skal udskifte dit Black & Decker produkt, eller hvis du ikke skal bruge det længere, må du ikke bortskaffe det sammen med husholdningsaffald. Dette produkt skal være tilgængeligt for separat indsamling.



Separat indsamling af brugte produkter og emballage gør det muligt at genbruge materialer. Genbrugte materialer forebygger miljøforurening og nedbringer behovet for råstoffer.

Lokale regler kan give mulighed for separat indsamling af elektriske husholdningsprodukter på kommunale lossepladser eller hos den forhandler, som du købte produktet af.

Black & Decker har en facilitet til indsamling og genbrug af Black & Decker-produkter, når deres levetid er slut. Få fordelene ved denne service ved at returnere produktet til en autoriseret tekniker, der samler værktøj sammen på vores vegne.

Du kan få oplyst den nærmeste autoriserede tekniker ved at kontakte det lokale Black & Decker-kontor på den adresse, der er angivet i denne brugsanvisning. Alternativt findes der en liste over autoriserede Black & Decker-teknikere og oplysninger om vores eftersalgsservice og kontaktpersoner på Internettet på adressen: [www.2helpU.com](http://www.2helpU.com)

#### Tekniske data

	KS40 TYPE 1
Spænding	V <sub>AC</sub> 230
Motoreffekt	W 710
Ubelastet hastighed	min <sup>-1</sup> 4.100
Maks. savdybde	mm 40
Klingediameter	mm 140
Klingeboring	mm 12,7
Knivspidsbredde	mm 2,4
Vægt	kg 2,7

#### Lydniveauet i henhold til:

Lydtryk (L<sub>pa</sub>) 95,2 dB(A), usikkerhed (K) 3 dB(A)  
Lydentensitet (L<sub>wa</sub>) 106,2 dB(A), usikkerhed (K) 3 dB(A)

#### Vibrationernes totale værdi (triax vector sum) i henhold til EN 60745:

Vibrationsemissionsværdi (a<sub>v</sub>) 1,359 m/s<sup>2</sup>, usikkerhed (K) 1,5 m/s<sup>2</sup>

## EU overensstemmelseserklæring

MASKINDIREKTIV



Black & Decker erklærer, at disse produkter, beskrevet under "tekniske data", overholder følgende:  
98/37/EF (indtil Dec. 28, 2009), 2006/42/EF  
(fra Dec. 29, 2009), EN 60745-1, EN 60745-2-5

For mere information, kontakt venligst Black & Decker på følgende adresse eller på adressen bagerst i brugsanvisningen.

Undertegnede er ansvarlig for kompilering af den tekniske fil og laver denne deklaration på vegne af Black & Decker.

Kevin Hewitt  
Vice-President Global Engineering  
Black & Decker Europe, 210 Bath Road, Slough,  
Berkshire, SL1 3YD  
Storbritannien  
1-10-2009

## Reserve dele / reparationer

Reserve dele kan købes hos autoriserede Black & Decker serviceværksteder, som giver forslag til omkostninger og reparerer vore produkter. Oversigt over vore autoriserede værksteder findes på internettet på vor hjemmeside [www.blackanddecker.dk](http://www.blackanddecker.dk) samt [www.2helpU.com](http://www.2helpU.com)

## Garanti

Black & Decker garanterer, at produktet er fri for materielle skader og/eller fabriktionsfejl ved levering til kunden. Garantien er et tillæg til konsumentens lovlige rettigheder og påvirker ikke disse. Garantien gælder indenfor medlemsstaterne af den Europæiske Union og i det Europæiske Frihandelsområde.

Hvis et Black & Decker produkt går i stykker på grund af materiel skade og/eller fabriktionsfejl eller på anden måde ikke fungerer i overensstemmelse med specifikationen, inden for 24 måneder fra købsdatoen, påtager Black & Decker sig at reparere eller ombytte produktet med mindst muligt besvær for kunden.

Garantien gælder ikke for fejl og mangler, der er sket i forbindelse med:

- ◆ normal slitage
- ◆ uheldige følger efter unormal anvendelse af værktøjet
- ◆ overbelastning, hærværk eller overdrevent intensivt brug af værktøjet
- ◆ ulykkehændelse

Garantien gælder ikke hvis reparationer er udført af nogen anden end et autoriseret Black & Decker værksted.

For at udnytte garantien skal produktet og købskvitteringen indleveres til forhandleren eller til et autoriseret værksted, senest 2 måneder efter at fejlen opdages. For information om nærmeste autoriserede værksted: kontakt det lokale Black & Decker kontor på den adresse som er opgivet i brugsanvisningen. Liste over alle autoriserede Black & Decker serviceværksteder samt servicevilkår er tilgængelig på internettet, på adressen **[www.2helpU.com](http://www.2helpU.com)**

Gå venligst ind på vores website **[www.blackanddecker.dk](http://www.blackanddecker.dk)** for at registrere dit nye produkt og for at blive holdt ajour om nye produkter og specialtilbud. Der findes yderligere oplysninger om mærket Black & Decker og vores produktsortiment på adressen **[www.blackanddecker.dk](http://www.blackanddecker.dk)**

## Käyttötarkoitus

Black & Deckerin saha on suunniteltu puun ja puutuotteiden sahaamiseen. Kone on tarkoitettu kotikäyttöön.

## Turvaohjeet

### Yleiset sähkötyökalujen turvallisuusohjeet



**Varoitus! Kaikki ohjeet täytyy lukea.** Alla olevien ohjeiden noudattamisen laiminlyönti saattaa johtaa sähköiskuun, tulipaloon ja/tai vakavaan loukkaantumiseen.

**Säilytä nämä ohjeet hyvin.** Seuraavassa käytetty käsite "sähkötyökalu" käsittää verkkokäyttöiset sähkötyökalut (verkkojohdolla) ja paristokäyttöiset sähkötyökalut (ilman verkkojohtoa).

#### 1. Työpisteen turvallisuus

- Pidä työskentelyalue puhtaana ja hyvin valaistuna.** Epäjärjestyksessä olevilla ja valaisemattomilla työalueilla voi tapahtua tapaturmia.
- Älä työskentele sähkötyökalulla räjähdysalttiissa ympäristössä, jossa on palavaa nestettä, kaasua tai pölyä.** Sähkötyökalu muodostaa kipinöitä, jotka saattavat sytyttää pölyn tai höyryä.
- Pidä lapset ja sivulliset loitolla sähkötyökalua käyttäessäsi.** Voit menettää laitteesi hallinnan huomiosi suuntautuessa muualle.

#### 2. Sähköturvallisuus

- Sähkötyökalun pistotulpan tulee sopia pistorasiaan. Pistotulppaa ei saa muuttaa millään tavalla. Älä käytä minkäänlaisia sovintipistokkeita maadoitettujen sähkötyökalujen kanssa.** Alkuperäisessä tilassa olevat pistotulpat ja sopivat pistorasiat vähentävät sähköiskun vaaraa.
- Vältä koskettamasta maadoitettuja pintoja, kuten putkia, pattereita, liesiä tai jääkaappeja.** Sähköiskun vaara kasvaa, jos kehosi on maadoitettu.
- Älä altista sähkötyökalua sateelle tai kosteudelle.** Veden tunkeutuminen sähkötyökalun sisään kasvattaa sähköiskun riskiä.
- Älä käytä verkkojohtoa väärin. Älä käytä sitä sähkötyökalun kantamiseen, vetämiseen tai pistotulpan irrottamiseen pistorasiasta. Pidä johto loitolla kuumuudesta, öljystä, terävistä reunoista ja liikkuvista osista.** Vahingoittuneet tai sotkeutuneet johdot kasvattavat sähköiskun vaaraa.
- Käyttäessäsi sähkötyökalua ulkona, käytä ainoastaan ulkokäyttöön soveltuvaa jatkojohtoa.** Ulkokäyttöön soveltuvan jatkojohdon käyttö pienentää sähköiskun vaaraa.

- Jos sähkötyökalua joudutaan käyttämään kosteassa ympäristössä, käytä aina jännönsvirtalaitteella (RCD) suojattua virtalähdettä.** Jännönsvirtalaitteen käyttö vähentää sähköiskun vaaraa.

#### 3. Henkilöturvallisuus

- Ole valpas, kiinnitä huomiota työskentelyysi ja noudata tervettä järkeä sähkötyökalua käyttäessäsi. Älä käytä sähkötyökalua, jos olet väsynyt tai huumeiden, alkoholin tai lääkkeiden vaikutuksen alaisena.** Hetken tarkkaamattomuus sähkötyökalua käytettäessä saattaa johtaa vakavaan loukkaantumiseen.
- Käytä suojavarusteita. Käytä aina suojalaseja.** Suojavarusteet, kuten pölynsuojanaamari, luistamattomat turvajalkineet, kypärä ja kuulosuojaimet pienentävät, tilanteen mukaan oikein käytettynä, loukkaantumisriskiä.
- Vältä sähkötyökalun tahatonta käynnistämistä. Varmista, että käynnistyskytkin on asennossa "off", ennen kuin kytket pistotulpan pistorasiaan tai kannat sähkötyökalua.** Jos kannat sähkötyökalua sormi käynnistyskytkimellä tai kytket sähkötyökalun pistotulpan pistorasiaan, käynnistyskytkimen ollessa käyntiasennossa, altistat itsesi onnettomuuksille.
- Poista kaikki säätötyökalut ja ruuvitaltat, ennen kuin käynnistät sähkötyökalun.** Laitteen pyöriivään osaan jäänyt työkalu tai avain saattaa johtaa loukkaantumiseen.
- Älä kurkota. Seiso aina tukevasti ja tasapainossa.** Täten voit paremmin hallita sähkötyökalua odottamattomissa tilanteissa.
- Käytä tarkoitukseen soveltuvia vaatteita. Älä käytä löysiä työvaatteita tai koruja. Pidä hiukset, vaatteet ja käsineet loitolla liikkuvista osista.** Väljät vaatteet, korut ja pitkät hiukset voivat takertua liikkuviin osiin.
- Jos polynimu- ja keräilylaitteita voidaan asentaa työkaluun, sinun pitää tarkistaa, että ne on liitetty ja että niitä käytetään oikealla tavalla.** Näiden laitteiden käyttö vähentää pölyn aiheuttamia vaaroja.

#### 4. Sähkötyökalujen käyttö ja hoito

- Älä ylikuormita sähkötyökalua. Käytä kyseiseen työhön tarkoitettua sähkötyökalua.** Sopivaa sähkötyökalua käyttäen työskentelet paremmin ja varmemmin tehoalueella, jolle sähkötyökalu on tarkoitettu.
- Älä käytä sähkötyökalua, jota ei voida käynnistää ja pysäyttää virtakytkimestä.** Sähkötyökalu, jota ei enää voida käynnistää ja pysäyttää käynnistyskytkimellä, on vaarallinen ja se täytyy korjata.
- Irrota pistotulppa pistorasiasta, ennen kuin suoritat säätöjä, vaihdat tarvikkeita tai siirät sähkötyökalun varastoitavaksi.** Nämä turvatoimenpiteet laskevat sähkötyökalun tahatonta käynnistysriskiä.

- d. Säilytä sähkötyökalut poissa lasten ulottuvilta, kun niitä ei käytetä. Älä anna sellaisten henkilöiden käyttää sähkötyökalua, jotka eivät tunne sitä tai jotka eivät ole lukeneet tätä käyttöohjetta. Sähkötyökalut ovat vaarallisia, jos niitä käyttävät kokemattomat henkilöt.
- e. Hoida sähkötyökalusi huolella. Tarkista, että liikkuvat osat toimivat moitteettomasti, eivätkä ole puristuksessa ja että työkalussa ei ole murtuneita tai vahingoittuneita osia, jotka saattaisivat vaikuttaa haitallisesti sen toimintaan. Korjauta mahdolliset viat ennen käyttöönottoa. Moni tapaturma aiheutuu huonosti huolletuista laitteista.
- f. Pidä leikkausterät terävinä ja puhtaina. Huolellisesti hoidetut leikkaustyökalut, joiden terät ovat teräviä, eivät tartu helposti kiinni ja niitä on helpompi hallita.
- g. Käytä sähkötyökaluja, tarvikkeita, vaihtotyökaluja jne. näiden ohjeiden mukaisesti. Ota tällöin huomioon työolosuhteet ja suoritettava toimenpide. Sähkötyökalun käyttö muuhun kuin tarkoituksenmukaiseen käyttöön saattaa johtaa vaarallisiin tilanteisiin.

## 5. Huolto

- a. Anna koulutettujen ammattitaitoisten henkilöiden korjata sähkötyökalusi ja hyväksy korjauksiin vain alkuperäisiä varaosia. Täten varmistat, että sähkötyökalu säilyy turvallisena.

## Sähkötyökalujen lisäturvallisuusohjeet



**Varoitus!** Sahojen lisäturvallisuusohjeet

- a. Pidä kädet loitolla leikkausalueesta ja terästä. Pidä toinen käsi ylimääräisellä kahvalla tai moottorin kotelolla. Jos molemmat kädet pitävät sahasta kiinni, terä ei pääse leikkaamaan käsiä.
- b. Älä kurota työkalun alapuolelle. Suojus ei voi suojata sinua terältä työkalun alapuolella.
- c. Säädä leikkaussyvyys työkalun paksuutta vastaavaksi. Työkalun alapuolella tulee näkyä alle puolet terän hampaasta.
- d. Älä koskaan pidä leikattavaa kappaletta kädessä tai jalkojen päällä. Kiinnitä työkalu tukevaan alustaan. Työskentelyn riittävä tukeminen on tärkeää jotta vältytään kehon joutumiseen vaaraan, terän jumittumiseen tai hallinnan menetykseen.
- e. Käsittele sähkötyökalua eristävien tartuntapintojen avulla kun teet työtä jossa työkalu voi joutua kosketuksiin piilossa olevien sähköjohtojen tai oman virtajohtonsa kanssa. Kosketus jännitteisen johtimen kanssa tekee myös sähkötyökalun paljaista metallisista jännitteisiä ja aiheuttaa sähköiskun käyttäjälle.
- f. Käytä aina halkaisusahasvastetta tai suoraa reunaohjainta halkaisusahauksessa. Tämä parantaa leikkauksen tarkkuutta ja vähentää terän jumittumisen vaaraa.
- g. Käytä aina teriä joissa on oikean kokoinen ja muotoinen (timanttii / pyöreä) kiinnitysreikä. Terät jotka eivät sovi sahan kiinnitykseen pyörivät epäkeskisesti ja aiheuttavat sahan hallinnan menetyksen.
- h. Älä koskaan käytä voittuneita tai vääranlaisia aluslevyjä tai pultteja terässä. Terän aluslevyt ja pultit on suunniteltu erikseen tätä sahaa varten optimaalisen tehokkuuden ja turvallisuuden takaamiseksi.

Lisäturvaohejet kaikille sahoille

Takapotkun syyt ja kuinka käyttäjä voi estää sen:

- ◆ Takapotku syntyy kun terä jumittuu tai menee vinoon ja se aiheuttaa sahan äkillisen hallitsemattoman liikkeen ylös ja pois päin työkalusta kohti käyttäjää.
- ◆ Kun terä joutuu puristuksiin tai jumittuu leikkauksen sulkeutuessa, terä pysähtyy ja moottorin liike työntää sahaa nopeasti taaksepäin kohti käyttäjää.
- ◆ Jos terä vääntyy tai menee vääran asentoon leikkauksessa, terän takareunan hampaat voivat tarttua puun yläpintaan ja saavat terän nousemaan pois urasta ja hyppäämään taaksepäin kohti käyttäjää.

Takapotku on seurausta sahan vääran käytöstä ja/tai vääristä käyttötavoista tai -ympäristöstä ja se voidaan välttää noudattamalla alla kuvattuja varotoimia.

- a. Ota tukeva ote sahasta molemmin käsin ja pidä kädet asennossa joka vastustaa takapotkuvoimia. Sijoita vartalosi terän jommallekummalle puolelle mutta ei suoraan samalle linjalle terän kanssa. Takapotku voi saada sahan hyppäämään taaksepäin mutta käyttäjä voi hallita takapotkuvoimia jos asiaankuuluvia varotoimia noudatetaan.
- b. Jos terä on jumittumassa tai jos sahaaminen keskeytetään mistä tahansa syystä, päästä irti liipaisimesta ja vältä liikuttamasta sahaa työkalusta, kunnes terä on kokonaan pysähtynyt. Älä koskaan irrota sahaa työkalusta tai vedä sitä takaisin päin kun terä on liikkeessä jotta takapotkua ei syntyisi. Selvitä terän jumittumiseen johtanut syy ja poista se.
- c. Kun käynnistät sahan uudelleen työkalussa, sijoita sahanteriä leikkauksen keskelle ja tarkista että hampaat eivät ole puretuneet kappaleeseen. Jos sahanteriä on jumittunut, se voi nousta irti työkalusta tai aiheuttaa takapotkun sahaa käynnistettäessä.
- d. Kannattele suuria paneeleita terän jumittumisen ja takapotkun riskin minimoimiseksi. Suuret paneelin taipuvat usein notkolle omasta painostaan. Paneelin alapuolelle tulee sijoittaa tuet molemmille puolille lähelle leikkaukskohtaa ja paneelin reunaan.

- e. Älä käytä tylsiä tai voittuneita teriä. Teroittamattomat tai väärin asetetut terät synnyttävät kapean leikkausuran joka aiheuttaa ylimääräistä kitkaa, terän jumiumumista ja takapotkua.
- f. Terän syvyyden ja vinokulman säädön lukitusvipujen täytyy olla hyvin suljettuja ennen sahausta. Jos terän säädöt liikkuvat sahausajan aikana, voi tapahtua jumiumumisia tai takapotkua.
- g. Ole erityisen varovainen jos teet "sukelluksen" paikoillaan olevaan seinään tai muuhun tuntemattomaan paikkaan. Ulostyöntävä sahanterä voi leikata esineitä jotka aiheuttavat takapotkun.

#### Turvaohjeet pyörösahoille, joissa on ulkoiset tai sisäiset heilahdussuojukset ja vetosuojus

- a. Tarkista alasuojuksen oikea sulkeutuminen ennen jokaista käyttöä. Älä käytä sahaa jos alasuojus ei liuku vapaasti tai jos se ei sulkeudu välittömästi. Älä koskaan purista tai sido alasuojusta avoimeen asentoon. Jos saha tippuu vahingossa, alasuojus saattaa taipua. Nosta alasuojusta kahvasta ja tarkista että se liikkuu vapaasti eikä kosketa terää tai muuta osaa kaikissa leikkaussuunnissa ja syvyyksissä.
- b. Tarkista alasuojuksen jousen toiminta. Jos suojuus tai jousi eivät toimi oikein, ne tulee huoltaa ennen käyttöä. Alasuojus voi toimia verkkaaisesti jos osat ovat voittuneet tai jos siihen on tarttunut tahmeita aineita tai roskaa.
- c. Alasuojusta tulee vetää käsin vain jos ollaan tekemässä "sukellus" tai "yhdistettyjä" sahausia. Nosta alasuojusta kahvasta ja heti kun terä koskettaa työstettävää materiaalia siitä on päästettävä irti. Kaikissa muissa sahausissa alasuojuksen tulee toimia automaattisesti.
- d. Varmista aina että alasuojus peittää terän ennen kuin lasket sen penkille tai lattialle. Suojaamaton, liukuva terä saa sahan liikkumaan taaksepäin ja leikkaamaan mitä tahansa sen eteen tulee. Ota huomioon terän pysähtymiseen tarvittava aika sen jälkeen kun kytkimestä on päästetty irti.

#### Lisäturvaohjeet kaikille sahoille joissa on suojakiila

- a. Käytä käytettävään terään sopivaa suojakiilaa. Jotta suojakiila toimisi, sen tulee olla paksumpi kuin terän runko mutta kapeampi kuin terän hampaat.
- b. Säädä suojakiilaa tämän käyttöoppaan ohjeiden mukaisesti. Suojakiilaan virheellinen sijoittelu ja kohdistus voi estää sen toiminnan takapotkun estämiseksi.
- c. Käytä aina suojakiilaa paitsi "sukellus" sahausissa. Suojakiila tulee laittaa takaisin paikoilleen "sukellus" sahausajan jälkeen. Suojakiilaa häiritsee "sukellus" sahausta ja voi aiheuttaa takapotkun.

- d. Jotta suojakiila toimisi, sen tulee olla kiinni työkappaleessa. Suojakiila ei kykene estämään takapotkua lyhyiden sahausten aikana.

- e. Älä käytä sahaa jos suojakiila on taipunut. Pienikin häiriö voi hidastaa suojan sulkeutumisoikeutta.

#### Jäännösriskit

Sahankäyttöön liittyvät riskit:

- Henkilövammat, jotka aiheutuvat pyöriviin osiin kosketuksesta.

Vaikka vastaavia turvallisuusohjeita noudatettaisiin ja turvavarusteita käytettäisiin, joitakin jäännösriskejä on olemassa. Nämä ovat:

- Kuulon heikentyminen.
- Pyörivän sahanterän suojaamattomien osien aiheuttama onnettomuusvaara.
- Henkilövahinkovaara terän vaihdon aikana.
- Sormien kiinni jäämisvaara suojuksien avaamisen aikana.
- Henkilövahinkovaara puun sahausajan aikana pölyä hengitettäessä (erityisesti tammi, pyökki ja MDF).

#### Teriä

- ◆ Älä käytä teriä joiden halkaisija on suurempi kuin suositus. Katso terien ohjearvot teknisistä tiedoista. Käytä vain tässä oppaassa kuvattuja teriä jotka ovat EN 847-1:n mukaisia.
- ◆ **Varoitus!** Älä koskaan käytä hiomalaikat.

#### Muiden turvallisuus

- ◆ Henkilöt (lapset mukaan lukien), joilla on fyysisiä, tunnollisia tai henkisiä rajoituksia tai rajallinen kokemus ja tuntemus, eivät saa käyttää tätä laitetta ellei heidän turvallisuudesta vastaava henkilö valvo tai ohjaa heitä laitteen käytössä.
- ◆ Lapsia on valvottava, etteivät he leiki koneen kanssa.

#### Tärinä

Käyttöohjeen teknisissä tiedoissa ja vaatimustenmukaisuusvakuutuksessa ilmoitetut tärinän päästöarvot on mitattu EN 60745-normin vakioiden testimenetelmän mukaisesti ja niitä voidaan käyttää työkalun vertaamisessa toiseen. Ilmoitettua tärinän päästöarvoa voidaan myös käyttää altistumisen arviointiin ennakolta.

**Varoitus!** Sähkötyökalun tärinän päästöarvo voi varsinaisen käytön aikana poiketa ilmoitetusta arvosta riippuen siitä, millä tavalla työkalua käytetään. Tärinän taso voi kohota ilmoitetun tason yläpuolelle.

Kun tärinälle altistumista arvioidaan, jotta voidaan määrittää 2002/44/EY-direktiivin edellyttämät turvatoimenpiteet säännöllisesti sähkötyökaluja työssä käyttävien henkilöiden suojelemiseksi, tärinälle altistumisen arvion tulee ottaa huomioon varsinaiset käyttöolosuhteet ja työkalun käyttötavan, johon sisältyy kaikkien käyttöjakson osien huomioon ottaminen, kuten ajat, jolloin työkalu on pois päältä tai kun se käy joutokäyntiä sekä käynnistysajan.

### Koneessa olevat merkit

Koneessa on seuraavat kuvakemerkinnät:



**Varoitus!** Loukkaantumisen vaaran ehkäisemiseksi käyttäjän on luettava käyttöohjeet.

### Sähköturvallisuus



Tämä laite on kaksoiseristetty; siksi erillistä maadoitusta ei tarvita. Tarkista aina, että virtalähde vastaa arvokilvessä ilmoitettua jännitettä.

- ◆ Jos sähköjohto on vaurioitunut, se saadaan vaihtaa vain valtuutetussa Black & Deckerin huoltoliikkeessä vaaratilanteiden välttämiseksi.

### Ominaisuudet

1. Virrankatkaisija
2. Lukitusnappi
3. Pääkädensija
4. Sivukahva
5. Sahaussyvyyden säätövipu
6. Jyrsintäsyvyyden säätöasteikko
7. Sahauskulman säädön lukitusnappi
8. Sahauskulman säätöasteikko
9. Sahanterän suojaja
10. Sahanterän suojan vipu
11. Sahausjalka
12. Sivuohjain
13. Jakoveitsi

### Kokoaminen

**Varoitus!** Ennen kuin ryhdyt mihinkään seuraavista toimita, varmista, että kone on kytketty pois päältä, sitä ei ole liitetty virtalähteeseen ja että sahanterä on pysähtynyt.

### Sahanterän poisto ja kiinnitys (kuva A)

#### Irrotus

- ◆ Työnnä ruuvimeisseli reikään (14) estääksesi terän pyörimisen. Vaihtoehtoisesti voit pitää kiinni ulommasta aluslaatasta (15) käyttäen apunasi 18 mm:n kiintoavainta.

- ◆ Löysää ja irrota terän kiinnitysruuvi (16) kiertämällä sitä vastapäivään koneen mukana toimitetulla kuusiokoloavaimella (17).
- ◆ Poista ulompi aluslaatta (15).
- ◆ Irrota sahanterä (18).

#### Kiinnitys

- ◆ Aseta sahanterä sisemmän aluslaatan (19) päälle ja tarkista, että terässä oleva nuoli osoittaa samaan suuntaan kuin koneessa oleva nuoli.
- ◆ Kiinnitä ulompi aluslaatta (15) karaan siten, että korotettu puoli on poispäin sahanterästä.
- ◆ Aseta terän kiinnitysruuvi (16) reikään.
- ◆ Työnnä ruuvimeisseli reikään (14) estääksesi terän pyörimisen. Vaihtoehtoisesti voit pitää kiinni ulommasta aluslaatasta (15) käyttäen apunasi 18 mm:n kiintoavainta.
- ◆ Kiristä terän kiinnitysruuvi (16) kunnolla kiertämällä sitä myötäpäivään koneen mukana toimitetulla kuusiokoloavaimella (17).
- ◆ Säädä jakoveitsi alla kuvatulla tavalla.

### Jakoveitsen säätäminen (kuva B)

Jakoveitsi estää sahanterän jumiumutuksen halkaisusahauksessa. Jakoveitsiä on säädettävä terän vaihdon jälkeen.

- ◆ Löysää ruuvi (20).
- ◆ Aseta jakoveitsi (13) kuvassa näkyvällä tavalla.
  - Hampaan ja jakoveitsen välisen etäisyyden tulee olla 2 - 3 mm.
  - Hampaan ja jakoveitsen alemman pään välisen korkeuseron pitää olla 2 - 3 mm.
- ◆ Kiristä ruuvi (20).

### Sivuohjaimen kiinnitys ja poisto (kuva E)

Sivuohjainta käytetään haluttaessa sahata suoraan työstökappaleen reunan mukaisesti.

#### Kiinnitys

- ◆ Löysää lukitusnuppia (21).
- ◆ Työnnä sivuohjain (12) aukkojen (22) läpi.
- ◆ Laita sivuohjain haluamaasi kohtaan.
- ◆ Kiristä lukitusnappi.

#### Irrotus

- ◆ Löysää lukitusnuppia (21).
- ◆ Poista sivuohjain koneesta.

### Käyttö

**Varoitus!** Anna koneen käydä omaan tahtiinsa. Älä ylikuormita sitä.

Tätä konetta voidaan käyttää oikealla tai vasemmalla kädellä.

**Varoitus!** Käsittele johtoa huolellisesti, jottet vaurioita sitä vahingossa.

### Jyrsintäsyvyyden säätö (kuva D)

Sahaussyvyys säädetään työstökappaleen paksuuden mukaisesti. Syvyyden tulee olla noin 2 mm enemmän kuin kappaleen paksuus.

- ◆ Löysää nuppia (5) aukaistaksesi sahausjalan.
- ◆ Siirrä sahausjalka (11) haluamaasi asentoon. Vastaava sahausvyvyys voidaan lukea asteikosta (6).
- ◆ Kiristä nuppia lukitaksesi sahausjalan paikalleen.

### Sahauskulman säätö (kuva E)

Tämän koneen sahauskulmaa voidaan säätää välille 0° - 45°.

- ◆ Löysää lukitusnuppia (7) avataksesi sahausjalan.
- ◆ Siirrä sahausjalka (11) haluamaasi asentoon. Vastaava sahauskulma voidaan lukea asteikosta (8).
- ◆ Kiristä lukitusnuppia lukitaksesi sahausjalan paikalleen.

### Käynnistys ja pysäytys

**Varoitus!** Ennen koneen käynnistämistä tarkista, että kuusiokoloavain on poistettu terän kiinnitysruuvista.

#### Työkalun käynnistys

- ◆ Pidä lukitusnuppia (2) painettuna sisään ja paina virrankatkaisijaa (1).
- ◆ Päästä irti lukitusnapista.

#### Työkalun pysäytys

- ◆ Päästä irti virrankatkaisijasta.

### Sahan kohdistaminen leikkuuviivan kanssa (kuva F)

Sahassa on kaksi ohjainta suoraan sahaukseen (23) ja kaksi ohjainta 45°:n jiirisahaukseen (24).

- ◆ Kohdista ohjaimen (23) tai (24) vasen reuna sahauslinjaan (25).

Hyvin tarkkaa sahausta varten:

- ◆ Piirrä sahauslinja testipuuhun.
- ◆ Kohdista ohjaimen (23) tai (24) vasen reuna sahauslinjaan (25).
- ◆ Tee koesahaus.
- ◆ Koesahauksen tuloksesta riippuen säädä ohjaimen asentoa kohti sahauslinjaa.

### Pölynpoisto (kuva G)

Pölynimurin tai pölynimulaitteen yhdistämiseksi koneeseen tarvitaan sovitin. Voit ostaa sovitimia Black & Decker -jälleenmyyjiltä.

- ◆ Aseta pölynpoistosovitin sahanpölyn poistoaukkoon (26).
- ◆ Kytke pölynimurin letku sovittimeen.

### Vinkkejä parhaimman tuloksen saamiseksi

- ◆ Työstökappale voi lohkeilla sahattaessa. Sahaa siksi työstökappale se puoli päällimmäisenä, joka saa lohkeilla.
- ◆ Jos lohkeilun pitää olla mahdollisimman vähäistä, esim. sahattaessa laminaattia, kiinnitä pala vaneria työstökappaleen päälle.

### Tarvikkeet

Koneen käyttöalue riippuu käytettävästä tarvikkeesta. Black & Decker- ja Piranha -tarvikkeet ovat korkealaatuisia. Käyttämällä näitä tarvikkeita saat koneestasi irti parhaan mahdollisen.

### Huolto

Black & Deckerin langallinen/langaton laite/työkalu on suunniteltu toimimaan mahdollisimman pitkään aikaa mahdollisimman vähällä huollolla. Asianmukainen käyttö ja säännönmukainen puhdistus takaavat laitteen jatkuvan tyydyttävän toiminnan.

**Varoitus!** Ennen langallisen/langattoman sähkötyökalun huoltoa:

- ◆ Kytke laite/työkalu pois päältä ja irrota pistoke pistorasiasta.
- ◆ Tai kytke laite pois päältä ja irrota akku laitteesta/työkalusta, jos laitteessa/työkalussa on erillinen akku.
- ◆ Tai kuluta akku kokonaan loppuun, jos akku on integroitu laitteeseen ja kytke laite sen jälkeen pois päältä.
- ◆ Irrota laturi virtalähteestä ennen puhdistamista. Laturi ei tarvitse säännöllisen puhdistamisen lisäksi mitään muuta huoltoa.
- ◆ Puhdista työkalun/laitteen/laturin tuuletusaukot säännöllisesti pehmeällä harjalla tai kiuvaalla siivousliinalla.
- ◆ Puhdista työkalun kuori säännöllisesti kostealla siivousliinalla. Älä koskaan käytä puhdistamiseen liuotainaineita tai syövyttäviä puhdistusaineita.
- ◆ Avaa istukka säännöllisin väliajoin ja kopauta sitä pölyjen poistamiseksi sisältä (jos asennettu).

### Ympäristö



Erillinen keräys. Tätä tuotetta ei saa hävittää normaalin kotitalousjätteen kanssa.

Kun Black & Decker -koneesi on käytetty loppuun, älä hävitä sitä kotitalousjätteen mukana. Tämä tuote on kerättävä erikseen.



Käytettyjen tuotteiden ja pakkausten erillinen keräys mahdollistaa materiaalien kierrätyksen ja uudelleenkäytön. Kierrätettyjen materiaalien uudelleenkäyttö auttaa ehkäisemään ympäristön saastumisen ja vähentää raaka-aineiden kysyntää.

Paikallisten säännösten mukaisesti on mahdollista viedä kotitalouksien sähkölaitteet kuntien kaatopaikoille tai jättää ne vähittäismyyjälle ostettaessa uusi tuote.

Black & Decker tarjoaa mahdollisuuden Black & Decker -tuotteiden keräykseen ja kierrätykseen sen jälkeen, kun ne on poistettu käytöstä. Jotta voisit hyötyä tästä palvelusta, palauta laitteesi johonkin valtuutettuun huoltoliikkeeseen, joka kerää laitteet meidän puolestamme.

Voit tarkistaa lähimmän valtuutetun huoltoliikkeen sijainnin ottamalla yhteyden Black & Deckerin toimistoon, joka sijaitsee tässä käsi kirjassa annetuissa osoitteissa. Lista valtuutetuista Black & Decker -huoltoliikkeistä sekä yksityiskohtaiset tiedot korjauspalvelustamme ovat vaihtoehtoisesti saatavilla Internetissä, osoitteessa [www.2helpU.com](http://www.2helpU.com)

### Tekniset tiedot

	KS40 TYPE 1
Jännite	V <sub>AC</sub> 230
Ottoteho	W 710
Kuormittamaton nopeus	min <sup>-1</sup> 4.100
Suurin sahausvyvyys	mm 40
Sahanterän halkaisija	mm 140
Terän sisäläpimitta	mm 12,7
Terän hampaan leveys	mm 2,4
Paino	kg 2,7

### Äänenpainetaso mitattu EN 60745:n mukaisesti:

Äänenpaine (L<sub>pa</sub>) 95,2 dB(A), epävarmuus (K) 3 dB(A)

Akustinen teho (L<sub>WA</sub>) 106,2 dB(A), epävarmuus (K) 3 dB(A)

### Tärinän kokonaisarvot (kolmiaksi vektorisumma) on määritetty seuraavan mukaisesti EN 60745:

Tärinän päästöarvo (a<sub>w</sub>) 1,359 m/s<sup>2</sup>, epävarmuus (K) 1,5 m/s<sup>2</sup>

## EU-vaatimustenmukaisuusvakuutus

KONEDIREKTIIVI



Black & Decker julistaa, että kohdassa "tekniset tiedot" kuvatut tuotteet noudattavat seuraavia:

98/37/EY (28 Jouluk., 2009 asti), 2006/42/EY (29 Jouluk., 2009 alkaen), EN 60745-1, EN 60745-2-5

Lisätietoja saa Black & Decker -yhtiöltä seuraavasta osoitteesta tai käyttöoppaan takana olevia yhteistietoja käyttäen.

Allekirjoittava henkilö on vastuussa teknisen tiedoston täyttämisestä ja tekee tämän ilmoituksen Black & Decker -yhtiön puolesta.

Kevin Hewitt

Vice-President Global Engineering

Black & Decker Europe, 210 Bath Road, Slough,

Berkshire, SL1 3YD

Iso-Britannia

1-10-2009

### Korjaukset / varaosat

Mikäli koneeseen tulee vikaa, jätä se aina Black & Deckerin valtuuttamaan huoltoliikkeeseen korjattavaksi.

Varaosia myyvät valtuutetut Black & Deckerin huoltoliikkeet, ja heiltä voi myös pyytää kustannusarvion koneen korjauksesta.

Tiedot valtuutetuista huoltoliikkeistä löytyvät internetistä osoitteesta [www.2helpU.com](http://www.2helpU.com) sekä kotisivuiltamme [www.blackanddecker.fi](http://www.blackanddecker.fi)

### Takuu

Black & Decker Oy takaa, ettei koneessa ollut materiaali- ja/tai valmistusvikaa silloin, kun se toimitettiin ostajalle. Takuu on lisäys kuluttajan laillisiin oikeuksiin eikä vaikuta niihin. Takuu on voimassa Euroopan Unionin jäsenmaissa ja Euroopan vapaakauppa-alueella (EFTA).

Mikäli Black & Decker -kone hajoaa materiaali- ja/tai valmistusvirheen tai teknisten tietojen epätarkkuuden vuoksi 24 kk:n kuluessa ostopäivästä, Black & Decker korjaa koneen ilman kustannuksia ostajalle tai vaihtaa sen uuteen Black & Decker Oy:n valinnan mukaan.



Takuu ei kata vikoja, jotka johtuvat koneen

- ◆ normaalista kulumisesta
- ◆ ylikuormituksesta, virheellisestä käytöstä tai hoidosta
- ◆ vahingoittamisesta vieraalla esineellä tai aineella tai onnettomuustapauksessa.

Takuu ei ole voimassa, mikäli konetta on korjannut joku muu kuin Black & Deckerin valtuuttama huoltoliike.

Edellytyksenä takuun saamiselle on, että ostaja jättää koneen ja ostokuitin jälleenmyyjälle tai valtuutetulle huoltoliikkeelle viimeistään 2 kuukauden kuluessa vian ilmenemisestä.

Tiedot valtuutetuista huoltoliikkeistä saa ottamalla yhteyttä Black & Decker Oy:hyn sekä internetistä osoitteesta

**[www.2helpU.com](http://www.2helpU.com)**, jossa on myös takuehdot.

Voit vierailla verkkosivullamme **[www.blackanddecker.fi](http://www.blackanddecker.fi)**

rekisteröidäksesi uuden Black & Decker-tuotteesi ja

saadaksesi tietoa uusista tuotteista ja erikoistarjouksista.

Saat lisätietoja Black & Deckerin tavaramerkistä ja

tuotevalikoimastamme osoitteesta **[www.blackanddecker.fi](http://www.blackanddecker.fi)**

## Ενδεξιμένη χρήση

Το πριόνι σας της Black & Decker έχει σχεδιαστεί για την κοπή ξύλου και ξύλινων προϊόντων. Αυτό το εργαλείο προορίζεται μόνο για ερασιτεχνική χρήση.

## Οδηγίες ασφαλείας

### Γενικές προειδοποιήσεις ασφαλείας για ηλεκτρικά εργαλεία



**Προσοχή!** Διαβάστε όλες τις προειδοποιήσεις ασφαλείας και όλες τις οδηγίες. Η μη τήρηση των παρακάτω προειδοποιήσεων και οδηγιών μπορεί να προκαλέσει ηλεκτροπληξία, πυρκαγιά ή/και σοβαρούς τραυματισμούς.

**Αποθηκεύστε όλες τις προειδοποιήσεις και οδηγίες για μελλοντική αναφορά.** Ο χαρακτηρισμός "ηλεκτρικό εργαλείο" που χρησιμοποιείται στις παρακάτω προειδοποιητικές υποδείξεις αφορά ή το εργαλείο που συνδέεται στην πρίζα (με καλώδιο) ή το εργαλείο που λειτουργεί με μπαταρία (χωρίς καλώδιο).

#### 1. Ασφάλεια χώρου εργασίας

- a. **Διατηρείτε το χώρο που εργάζεστε καθαρό και καλά φωτισμένο.** Η αταξία στο χώρο που εργάζεστε και τα σημεία χωρίς καλό φωτισμό μπορεί να οδηγήσουν σε ατυχήματα.
- b. **Μη χρησιμοποιείτε τα ηλεκτρικά εργαλεία σε περιβάλλον όπου υπάρχει κίνδυνος έκρηξης, π.χ. παρουσία εύφλεκτων υγρών, αερίων ή σκόνης.** Τα ηλεκτρικά εργαλεία μπορεί να δημιουργήσουν σπινθηρισμό ο οποίος μπορεί να αναφλέξει τη σκόνη ή τις αναθυμιάσεις.
- c. **Όταν χρησιμοποιείτε το ηλεκτρικό εργαλείο, κρατάτε τα παιδιά και τα υπόλοιπα άτομα μακριά από το χώρο που εργάζεστε.** Σε περίπτωση που άλλα άτομα αποσπάσουν την προσοχή σας μπορεί να χάσετε τον έλεγχο του μηχανήματος.

#### 2. Ασφαλής χρήση του ηλεκτρικού ρεύματος

- a. **Το φως του καλωδίου του ηλεκτρικού εργαλείου πρέπει να ταιριάζει στην αντίστοιχη πρίζα.** Δεν επιτρέπεται με κανένα τρόπο η μετασκευή του φως. Μη χρησιμοποιείτε προσαρμοστικά φως στα γειωμένα ηλεκτρικά εργαλεία. Τα φως που δεν έχουν υποστεί τροποποιήσεις και οι κατάλληλες πρίζες μειώνουν τον κίνδυνο ηλεκτροπληξίας.
- b. **Αποφεύγετε την επαφή του σώματός σας με γειωμένες επιφάνειες όπως σωλήνες, θερμαντικά σώματα (καλοριφέρ), κουζίνες και φυγεία.** Όταν το σώμα σας είναι γειωμένο, αυξάνεται ο κίνδυνος ηλεκτροπληξίας.

- c. **Μην εκθέτετε το ηλεκτρικό εργαλείο στη βροχή ή την υγρασία.** Η διείσδυση νερού στο ηλεκτρικό εργαλείο αυξάνει τον κίνδυνο ηλεκτροπληξίας.
- d. **Μην κακομεταχειρίζεστε το καλώδιο. Μη χρησιμοποιήσετε ποτέ το καλώδιο για να μεταφέρετε, να τραβήξετε ή να αποσυνδέσετε το εργαλείο από την πρίζα.** Κρατάτε το καλώδιο μακριά από υψηλές θερμοκρασίες, λάδια, κοφτερές ακμές ή κινούμενα εξαρτήματα. Τυχόν χαλασμένα ή μπερδεμένα καλώδια αυξάνουν τον κίνδυνο ηλεκτροπληξίας.
- e. **Όταν χρησιμοποιείτε το ηλεκτρικό εργαλείο σε εξωτερικούς χώρους, να χρησιμοποιείτε πάντοτε προεκτάσεις (μπαλαντέζες) που έχουν εγκριθεί για χρήση σε εξωτερικούς χώρους.** Η χρήση προεκτάσεων εγκεκριμένων για εργασία σε εξωτερικούς χώρους μειώνει τον κίνδυνο ηλεκτροπληξίας.
- f. **Αν η χρήση του εργαλείου σε μια βρεγμένη περιοχή δεν είναι απόφευκτη, χρησιμοποιήστε μια συσκευή κατάλοιπου ρεύματος (RCD) προστατευόμενης παροχής.** Η χρήση μιας RCD μειώνει τον κίνδυνο ηλεκτροπληξίας.

### 3. Ασφάλεια προσώπων

- a. **Όταν χρησιμοποιείτε το ηλεκτρικό εργαλείο, να είστε προσεκτικοί, να δίνετε προσοχή στην εργασία που κάνετε και να επιστρατεύετε την κοινή λογική. Μη χρησιμοποιείτε το ηλεκτρικό εργαλείο όταν είστε κουρασμένοι ή όταν βρίσκεστε υπό την επήρεια ναρκωτικών, οινοπνεύματος ή φαρμάκων.** Μια στιγμή απροσεξία κατά το χειρισμό του ηλεκτρικού εργαλείου μπορεί να οδηγήσει σε σοβαρούς τραυματισμούς.
- b. **Χρησιμοποιήστε προσωπικό εξοπλισμό τραυματισμού. Να φοράτε πάντα προστατευτικά γυαλιά.** Ο προστατευτικός εξοπλισμός όπως μάσκα σκόνης, υποδήματα ασφαλείας κατά το γλίστρημα, σκληρό καπέλο, ή προστασία ακοής για τις κατάλληλες συνθήκες θα μειώσουν τους σωματικούς τραυματισμούς.
- c. **Να αποφύγετε την εκκίνηση κατά λάθος. Επιβεβαιωθείτε ότι ο διακόπτης είναι στην θέση off πριν συνδέσετε την παροχή ρεύματος και/ή τη μπαταρία, πριν πιάσει ή μεταφέρετε το εργαλείο.** Η μεταφορά εργαλείων με το δάχτυλο στον διακόπτη ή η ενεργοποίηση εργαλείων με τον διακόπτη στη θέση on μπορεί να οδηγήσει σε ατυχήματα.
- d. **Πριν θέσετε το ηλεκτρικό εργαλείο σε λειτουργία, αφαιρέστε τυχόν εργαλεία ή κλειδιά ρύθμισης.** Ενα εργαλείο ή κλειδί συναρμολογημένο στο περιστρεφόμενο εξάρτημα ενός ηλεκτρικού εργαλείου μπορεί να προκαλέσει τραυματισμούς.

- e. Μην τεντώνεστε. Φροντίστε πάντοτε να έχετε την κατάλληλη στάση και να διατηρείτε την ισορροπία σας. Αυτό σας επιτρέπει τον καλύτερο έλεγχο του ηλεκτρικού εργαλείου σε περιπτώσεις απροσδόκητων καταστάσεων.
- f. Φοράτε κατάλληλη ενδυμασία εργασίας. Μη φοράτε φαρδιά ρούχα ή κοσμήματα. Κρατάτε τα μαλλιά, τα ενδύματα και τα γάντια σας μακριά από τα κινούμενα εξαρτήματα. Τα φαρδιά ρούχα, τα κοσμήματα και τα μακριά μαλλιά μπορεί να εμπλακούν στα κινούμενα εξαρτήματα.
- g. Αν προβλέπονται διατάξεις απαγωγής και συλλογής της σκόνης, βεβαιωθείτε ότι είναι συνδεδεμένες και ότι χρησιμοποιούνται σωστά. Η χρήση της συλλογής της σκόνης μπορεί να μειώσει τους κινδύνους σχετικά με τη σκόνη.

#### 4. Χρήση και συντήρηση του ηλεκτρικού εργαλείου

- a. Μην υπερφορτώνετε το ηλεκτρικό εργαλείο. Χρησιμοποιείτε για την εκάστοτε εργασία σας το ηλεκτρικό εργαλείο που προορίζεται γι' αυτήν. Με το κατάλληλο ηλεκτρικό εργαλείο εργάζεσθε καλύτερα και ασφαλέστερα στην ονομαστική περιοχή ισχύος του.
- b. Μη χρησιμοποιήσετε ποτέ ένα ηλεκτρικό εργαλείο του οποίου ο διακόπτης λειτουργίας είναι χαλασμένος. Ένα ηλεκτρικό εργαλείο του οποίου η λειτουργία δεν μπορεί να ελεγχθεί με το διακόπτη είναι επικίνδυνο και πρέπει να επισκευαστεί.
- c. Αποσυνδέστε το βύσμα από τη πηγή ρεύματος και/ή το συγκρότημα μπαταρίας πριν κάνετε κάποια ρύθμιση, αλλάζετε τα αξεσουάρ, ή αποθηκεύετε τα ηλεκτρικά εργαλεία. Αυτά τα προληπτικά μέτρα ασφαλείας μειώνουν τον κίνδυνο να τεθεί το μηχάνημα αθέλητα σε λειτουργία.
- d. Να φυλάτε τα ηλεκτρικά εργαλεία που δεν χρησιμοποιείτε μακριά από παιδιά. Μην αφήνετε άτομα που δεν είναι εξοικειωμένα με το ηλεκτρικό εργαλείο ή που δεν έχουν διαβάσει αυτές τις οδηγίες χρήσης να το χρησιμοποιήσουν. Τα ηλεκτρικά εργαλεία είναι επικίνδυνα όταν χρησιμοποιούνται από άπειρα άτομα.
- e. Να συντηρείτε τα ηλεκτρικά εργαλεία. Ελέγξτε εάν τα κινούμενα μέρη είναι σωστά ευθυγραμμισμένα ή αν έχουν μπλοκάρει, εάν έχουν σπάσει κομμάτια και εάν πληρούνται όλες οι υπόλοιπες συνθήκες που ενδεχομένως να επηρεάσουν τη σωστή λειτουργία του εργαλείου. Δώστε τυχόν χαλασμένα εξαρτήματα του ηλεκτρικού εργαλείου για επισκευή πριν το χρησιμοποιήσετε πάλι. Η ανεπαρκής συντήρηση των ηλεκτρικών εργαλείων αποτελεί αιτία πολλών ατυχημάτων.

- f. Διατηρείτε τα κοπτικά εργαλεία κοφτερά και καθαρά. Τα κοπτικά εργαλεία με αιχμηρά κοπτικά άκρα που συντηρούνται σωστά έχουν λιγότερες πιθανότητες να μπλοκάρουν και ελέγχονται ευκολότερα.
- g. Να χρησιμοποιείτε το ηλεκτρικό εργαλείο, τα εξαρτήματα και τις μύτες κλπ σύμφωνα με αυτές τις οδηγίες, λαμβάνοντας υπόψη τις καταστάσεις εργασίας και την εργασία προς εκτέλεση. Η χρήση του ηλεκτρικού εργαλείου για άλλες εκτός από τις προβλεπόμενες εργασίες μπορεί να δημιουργήσει επικίνδυνες καταστάσεις.

#### 5. Σέρβις

- a. Το σέρβις του ηλεκτρικού σας εργαλείου πρέπει να αναλαμβάνει έμπειρος τεχνικός που θα χρησιμοποιεί μόνο γνήσια ανταλλακτικά. Ετσι εξασφαλίζεται η διατήρηση της ασφάλειας του ηλεκτρικού εργαλείου.

#### Συμπληρωματικές προειδοποιήσεις ασφαλείας για ηλεκτρικά εργαλεία



**Προειδοποίηση!** Πρόσθετες προειδοποιήσεις ασφαλείας για πριόνια

- a. Μη βάζετε τα χέρια σας στην περιοχή του πριονιού ή στον πριονόδισκο. Κρατάτε με το άλλο [το δεύτερο] χέρι σας την πρόσθετη λαβή ή το περίβλημα του κινητήρα. Όταν κρατάτε το δισκοπρίονο και με τα δυο σας χέρια τότε ο πριονόδισκος δεν μπορεί να σας τραυματίσει.
- b. Μη βάζετε τα χέρια σας κάτω από το υπό καταργασία τεμάχιο. Ο προφυλακτήρας δεν μπορεί να τα προστατέψει από τον πριονόδισκο όταν αυτά βρίσκονται κάτω από το υπό καταργασία τεμάχιο.
- c. Προσπαρώστε το βάθος κοπής στο πάχος του υπό καταργασία τεμαχίου. Κάτω το υπό καταργασία τεμάχιο πρέπει να φαίνεται λιγότερο από ένα ολόκληρο δόντι του πριονόδισκου.
- d. Μη συγκρατείτε ποτέ το υπό καταργασία τεμάχιο με το χέρι και μην το ακουμπάτε ποτέ στα πόδια [τα σκέλη] σας. Ασφαλίστε το υπό καταργασία τεμάχιο επάνω σε μια σταθερή επιφάνεια. Το καλό σέρβις του υπό καταργασία τεμαχίου είναι πολύ σημαντικό επειδή έτσι μειώνεται στο ελάχιστο ο κίνδυνος της επαφής του με το σώμα σας, το μπλοκάρισμα του πριονόδισκου ή η απώλεια του ελέγχου του.
- e. Πιάνετε το μηχάνημα μόνο από τις μονωμένες επιφάνειές του όταν κατά την εργασία σας υπάρχει κίνδυνος το εργαλείο κοπής να "χτυπήσει" ηλεκτρικές γραμμές ή το ηλεκτρικό καλώδιο του ίδιου του μηχανήματος. Η επαφή του πριονόδισκου με μια υπό τάση ευρισκόμενη ηλεκτρική γραμμή θέτει επίσης και τα μεταλλικά τμήματα του μηχανήματος υπό τάση κι έτσι μπορεί να οδηγήσει σε ηλεκτροπληξία.

- f. Όταν διεξάγετε διαμήκεις [μακρουλές] κοπές χρησιμοποιείτε πάντοτε έναν οδηγό κοπής ή μια διάταξη ευθυγράμμισης της τομής. Μ αυτόν τον τρόπο βελτιώνεται η ακρίβεια της τομής κι ελαττώνονται οι πιθανότητες σφηνώματος του πριονόδισκου.
- g. Χρησιμοποιείτε πάντοτε πριονόδισκους με το σωστό μέγεθος και με κατάλληλη τρύπα υποδοχής (π. χ. με στρογγυλή ή αστεροειδή τρύπα). Πριονόδισκοι που δεν ταιριάζουν με τα εξαρτήματα συναρμολόγησης του πριονιού περιστρέφονται ασύμμετρα και οδηγούν στην απώλεια του ελέγχου του μηχανήματος.
- h. Μη χρησιμοποιήσετε ποτέ χαλασμένους ή ακατάλληλους πριονόδισκους, ακατάλληλες ροδέλες ή βίδες. Οι ροδέλες και οι βίδες κατασκευάζονται ειδικά για τον εκάστοτε πριονόδισκο κι εξασφαλίζουν έτσι τη μέγιστη δυνατή απόδοση και ασφάλεια λειτουργίας.

### Περισσότερες οδηγίες ασφαλείας για όλα τα πριόνια

Αιτίες και αποφυγή κλοστήματος:

- ◆ το κλότσημα είναι η απροσδόκητη αντίδραση του δισκοπρίονου όταν αυτός "σκοντάψει" ή μπλοκάρει ή όταν είναι λάθος συναρμολογημένος αυτό προκαλεί το ανασήκωμα του ανεξέλεγκτου πλέον πριονιού από το υπό κατεργασία τεμάχιο και στην κίνησή του με κατεύθυνση προς το χειριστή;
- ◆ όταν το δισκοπρίονο σκοντάψει ή σφηνώσει στη σχισμή πριονίσματος όταν αυτή κλείνει, τότε αυτός μπλοκάρει και η δύναμη του κινητήρα "κλωτά" το μηχανήμα με κατεύθυνση προς το χειριστή;
- ◆ όταν το δισκοπρίονο στρεβλώσει ή όταν είναι λάθος συναρμολογημένος, τότε δεν αποκλείεται τα δόντια στην πίσω ακμή του δισκοπρίονου να σφηνώσουν στην επιφάνεια του υπό κατεργασία τεμαχίου κι έτσι το δισκοπρίονο να πεταχτεί έξω από το υπό κατεργασία τεμάχιο και το πριόνι να εκτιναχτεί με κατεύθυνση προς το χειριστή.

Το κλότσημα αποτελεί συνέπεια ενός εσφαλμένου ή ελλιπού χειρισμού του πριονιού. Μπορεί να αποφευχθεί με κατάλληλα προληπτικά μέτρα, όπως αυτά που περιγράφονται παρακάτω.

- a. **Να κρατάτε το πριόνι και με τα δυο σας χέρια και να δίνετε στους βραχίονές σας μια θέση, στην οποία θα μπορείτε να αντιμετωπίσετε τυχόν αντιδραστικές δυνάμεις [κλωστήματα] του μηχανήματος. Να στέκεστε πάντα διπλά από τον πριονόδισκο και ποτέ στην ίδια γραμμή μ αυτόν.** Σε περίπτωση κλοστήματος το δισκοπρίονο μπορεί μιν να εκτιναχτεί προς τα πίσω, όμως, όταν έχουν ληφθεί κατάλληλα προληπτικά μέτρα, ο χειριστής μπορεί να αντιμετωπίσει με επιτυχία το κλότσημα.
- b. Σε περίπτωση που ο πριονόδισκος μπλοκάρει ή το πριόνισμα διακοπεί από οποιοδήποτε άλλη αιτία, τότε αφήστε το διακόπτη ON/OFF ελεύθερο και κρατήστε το πριόνι με ηρεμία μέσα στο υλικό μέχρι να ακινητοποιηθεί εντελώς ο πριονόδισκος. Μη προσπαθήσετε ποτέ να απομακρύνετε το πριόνι από το υπό κατεργασία τεμάχιο ή να το τραβήξετε προς τα πίσω όσο ο πριονόδισκος κινείται ή όταν υπάρχει ακόμη κίνδυνος κλοστήματος. Εξακριβώστε την αιτία του μπλοκαρίσματος του πριονόδισκου και εξουδετερώστε την με τα κατάλληλα μέτρα.
- c. Όταν θελήσετε να εκκινήσετε πάλι ένα ακινητοποιημένο πριόνι του οποίου ο πριονόδισκος βρίσκεται μέσα στο υπό κατεργασία τεμάχιο, ευθυγραμμίστε τον πριονόδισκο μέσα στη σχισμή κοπής κι ελέγξτε, μάλιστα τα δόντια του είναι σφηνωμένα μέσα στο υπό κατεργασία τεμάχιο. Όταν ο πριονόδισκος είναι μπλοκαρισμένος μπορεί να πεταχτεί έξω από το υπό κατεργασία τεμάχιο ή να κλωστήσει όταν το πριόνι τεθεί πάλι σε λειτουργία.
- d. **Μεγάλες υπό κατεργασία πλάκες πρέπει να υποστηρίζονται για να μειωθεί ο κίνδυνος κλοστήματος από έναν τυχόν σφηνωμένο πριονόδισκο.** Οι μεγάλες πλάκες μπορεί να λυγίσουν από το ίδιο τους το βάρος. Οι πλάκες πρέπει να υποστηρίζονται και στις δυο πλευρές τους, και κοντά στον πριονόδισκο και στα άκρα τους.
- e. **Μη χρησιμοποιείτε αμβλείς ή χαλασμένους πριονόδισκους.** Πριονόδισκοι με μη κοφτερά ή με λάθος ευθυγραμμισμένα δόντια προκαλούν, εξαιτίας της πολύ στενής σχισμής πριονίσματος, αύξηση της τριβής, σφηνώματα του πριονόδισκου και κλότσημα.
- f. **Πριν το πριόνισμα σφίξτε καλά τις διατάξεις ρύθμισης του βάθους και της γωνίας κοπής.** Σε περίπτωση που οι ρυθμίσεις μεταβληθούν κατά τη διάρκεια του πριονίσματος μπορεί να μπλοκάρει ο πριονόδισκος και να οδηγήσει έτσι σε κλότσημα.
- g. **Προσέχετε ιδιαίτερα όταν διεξάγετε "κοπές βύθισης" σε μη ορατούς τομείς, π. χ. σ έναν ήδη υπάρχοντα τοίχο.** Ο βυθιζόμενος πριονόδισκος μπορεί να μπλοκάρει σε μη ορατά αντικείμενα και να οδηγήσει έτσι σε κλότσημα.

**Οδηγίες ασφαλείας για δισκοπρίονα με εξωτερικά ή εσωτερικά προστατευτικά εμβόλου δισκοπρίονου και προστατευτικό δάχτυλο.**

- a. **Ελέγχετε πριν από κάθε χρήση αν κλείνει άψογα ο κάτω προφυλακτήρας. Μη χρησιμοποιήσετε το πριόνι όταν ο κάτω προφυλακτήρας δεν κινείται ελεύθερα και δεν κλείνει αμέσως. Μη σφηνώνετε και μη δένετε ποτέ τον κάτω προφυλακτήρα για να παραμείνει ανοιχτός.** Ο κάτω προφυλακτήρας μπορεί να στρεβλωθεί σε περίπτωση που το πριόνι πέσει αθέλητα στο έδαφος.

Ανοίξτε τον προφυλακτήρα με τη βοήθεια της λαβής και βεβαιωθείτε ότι κινείται ελεύθερα καθώς και ότι δεν εγγίζει τον προιόνδισκο ή άλλα τμήματα του πριονιού, σε οποιαδήποτε βάθος ή γωνία κοπής κι αν ρυθμιστεί.

- b. Ελέγξτε τη λειτουργία του ελατηρίου του κάτω προφυλακτήρα. Δώστε το μηχάνημα για συντήρηση πριν το χρησιμοποιήσετε σε περίπτωση που ο κάτω προφυλακτήρας ή/και το ελατήριο δε λειτουργούν άψογα.** Χαλασμένα εξαρτήματα, κολλώδη ιζήματα ή συσσωρεύσεις γρεζιών ή ροκανιδιών επιβραδύνουν την κίνηση του κάτω προφυλακτήρα.
- c. Ο κάτω προφυλακτήρας επιτρέπεται να ανοιχτεί με το χέρι μόνο για τη διεξαγωγή ιδιαίτερων κοπών, π. χ. για "κοπές βύθισης" και "κοπές γωνιών". Ανοίξτε τον προφυλακτήρα με τη βοήθεια της λαβής κι αφήστε τον πάλι ελεύθερο μόλις ο προιόνδισκος βυθιστεί στο υπό κατεργασία τεμάχιο.** Σε όλες τις άλλες εργασίες κοπής ο προφυλακτήρας πρέπει να λειτουργεί αυτόματα.
- d. Μην αποθέσετε το πριόνι επάνω στο τραπέζι εργασίας ή στο δάπεδο χωρίς ο κάτω προφυλακτήρας να καλύπτει τον προιόνδισκο.** Ένας ακάλυπτος προιόνδισκος που συνεχίζει να περιστρέφεται κινεί το πριόνι με φορά αντίθετη της φοράς κοπής και πριονίζει ότι συναντήσει στο δρόμο του. Λάβετε υπόψη σας το χρόνο που χρειάζεται μέχρι να ακινητοποιηθεί εντελώς το πριόνι [χρόνος ιχνηλασίας].

**Πρόσθετες οδηγίες ασφαλείας για όλα τα πριόνια με μαχαίρι κοπής**

- a. Χρησιμοποιείτε πάντοτε την κατάλληλη σφήνα για τον εκάστοτε χρησιμοποιούμενο προιόνδισκο.** Η σφήνα πρέπει να είναι παχύτερη από το συμπαγές τμήμα του προιόνδισκου και λεπτότερη από το πλάτος της οδόντωσης του προιόνδισκου.
- b. Ρυθμίστε τη σφήνα όπως περιγράφεται στις οδηγίες χειρισμού.** Λάθος πάχος, θέση ή ευθυγράμμιση της σφήνας μπορεί να γίνουν αιτία η σφήνα να μην εμποδίζει αποτελεσματικά το κλότσημα.
- c. Χρησιμοποιείτε πάντοτε τη σφήνα, εκτός όταν διεξάγετε κοπές βύθισης.** Συναρμολογήστε πάλι τη σφήνα μετά την κοπή βύθισης. Σε όλες τις άλλες κοπές η σφήνα αποτελεί εμπόδιο και μπορεί να προκαλέσει κλότσημα.
- d. Η σφήνα πρέπει να βρίσκεται μέσα στη σχισμή προιόνισματος για να μπορέσει να δράσει αποτελεσματικά.** Στις σύντομες κοπές η σφήνα παραμένει αδρανής και δεν είναι σε θέση να εμποδίσει ένα ενδεχόμενο κλότσημα.
- e. Μη χρησιμοποιήσετε το πριόνι όταν η σφήνα είναι στρεβλωμένη.** Ακόμη και το πιο μικρό εμπόδιο μπορεί να επιβραδύνει το κλείσιμο του προφυλακτήρα.

## Παραμένων κίνδυνοι

Οι κίνδυνοι που ακολουθούν ενυπάρχουν κατά τη χρήση πριονιών:

- τραυματισμός από την αφή περιστρεφόμενων μέρων
- Ακόμη και με την εφαρμογή σχετικών κανονισμών ασφαλείας και των συσκευών ασφαλείας, κάποιοι υπολειπόμενοι κίνδυνοι δεν μπορούν να αποφευχθούν. Αυτά είναι:
  - Εξασθένηση ακοής.
  - Κίνδυνος ατυχημάτων από τα μη-καλυμμένα μέρη του περιστρεφόμενου προιόνδισκου.
  - Κίνδυνος ατυχήματος κατά την αλλαγή προιόνδισκου.
  - Κίνδυνος στριμύγματος δάχτυλων κατά το άνοιγμα των προφυλακτήρων.
  - Κίνδυνος υγείας από την αναπνοή σκόνης που δημιουργείται κατά την κοπή ξύλου, ειδικά βαλανιδιάς, οξιάς και MDF.

## Προιόνδισκος

- ◆ Μη χρησιμοποιείτε λεπίδες μεγαλύτερης ή μικρότερης διαμέτρου από τη συνιστώμενη. Για σωστή διαστασιολόγηση της λεπίδας συμβουλευθείτε τα τεχνικά στοιχεία. Χρησιμοποιήστε μόνο λεπίδες με προδιαγραφές όπως αυτές που περιγράφονται σε αυτό το εγχειρίδιο, οι οποίες συμμορφώνονται με το πρότυπο EN 847-1.
- ◆ **Προειδοποίηση!** Ποτέ μη χρησιμοποιήσετε λειαντικούς δίσκους.

## Ασφάλεια άλλων

- ◆ Αυτή η συσκευή δεν προσδιορίζεται για χρήση από άτομα (συμπεριλαμβάνοντας και τα παιδιά) με ελαττωμένες φυσικές, αισθητήριες και ψυχικές δυνατότητες, ή έλλειψη εμπειρίας και γνώσης, εκτός αν υπάρχει επιτήρηση ή οδηγίες για τη χρήση της συσκευής από έναν υπεύθυνο άτομο για την ασφάλεια τους.
- ◆ Τα παιδιά πρέπει να επιτηρηθούν για να βεβαιωθείτε ότι δεν παίζουν με τη συσκευή.

## Δόνηση

Οι δηλωμένες τιμές εκπομπής δόνησης στον τομέα τεχνικών χαρακτηριστικών και στη δήλωση συμμόρφωσης έχουν μετρηθεί σύμφωνα με μια πρότυπη μέθοδος δοκιμής παρεχόμενη από το EN 60745 και μπορεί να χρησιμοποιηθεί για την σύγκριση ενός εργαλείου με ένα άλλο. Η δηλωμένη τιμή εκπομπής δόνησης μπορεί να χρησιμοποιηθεί επίσης σε μια προκαταρκτική εκτίμηση έκθεσης.

**Προσοχή!** Η τιμή εκπομπής δόνησης κατά τη παρόν χρήση του ηλεκτρικού εργαλείου μπορεί να διαφέρει από τη δηλωμένη τιμή αναλόγως με τον τρόπο που χρησιμοποιείται το εργαλείο. Το επίπεδο δόνησης μπορεί να αυξηθεί πάνω από το δηλωμένο επίπεδο.

Κατά την εκτίμηση έκθεσης στη δόνηση για να αποφασιστούν τα μέτρα ασφαλείας που απαιτούνται από το 2002/44/ΕΚ για την προστασία ατόμων που χρησιμοποιούν τακτικά το εργαλείο, πρέπει να ληφθεί υπόψη μια εκτίμηση έκθεσης δόνησης, οι παρόν καταστάσεις χρήσης και ο τρόπος χρήσης εργαλείου, συμπεριλαμβανοντας όλα τα μερί του κύκλου εργασίας όπως πόσες φορές σβήνεται το εργαλείο και όταν δουλεύει χωρίς φορτίο πρόσθετα πόσες φορές πατιέται η σκανδάλη.

### Επικέτες επάνω στο εργαλείο

Πάνω στο εργαλείο υπάρχουν οι εξής σχηματικές απεικονίσεις:



**Προσοχή!** Για να μειώσετε τον κίνδυνο τραυματισμού, ο χρήστης πρέπει να διαβάσει το χειρίριδιο οδηγιών.

### Ασφαλής χρήση του ηλεκτρικού ρεύματος



Αυτό το εργαλείο φέρει διπλή μόνωση, επομένως δεν απαιτείται σύρμα γείωσης. Ελέγχετε πάντοτε αν η τάση τροφοδοσίας αντιστοιχεί σε αυτήν που αναγράφεται στην πινακίδα στοιχείων του εργαλείου.

- ◆ Αν το καλώδιο ρεύματος έχει υποστεί βλάβη, πρέπει να αντικατασταθεί από τον κατασκευαστή ή από εξουσιοδοτημένο Κέντρο Επισκευών Black & Decker ώστε να αποφύγετε τους κινδύνους.

### Χαρακτηριστικά

1. Διακόπτης on/off
2. Μπουτόν απασφάλισης
3. Κύρια λαβή
4. Πλευρική χειρολαβή
5. Μοχλός προσαρμογής βάθους κοπής
6. Κλίμακα βάθους κοπής
7. Διακόπτης ασφάλισης προσαρμογής της γωνιάς λοξής κοπής
8. Κλίμακα γωνιάς λοξής κοπής
9. Προστατευτικό περίβλημα πριονόλαμας
10. Μοχλός ανάταξης για το προστατευτικό περίβλημα του δίσκου
11. Πέλμα πριονιού
12. Παράλληλος οδηγός
13. Αποσπώμενη λεπίδα

### Συναρμολόγηση

**Προειδοποίηση!** Πριν από οποιαδήποτε από τις παρακάτω διαδικασίες, βεβαιωθείτε ότι το εργαλείο είναι εκτός λειτουργίας και ότι δεν είναι στην πρίζα, καθώς και ότι η πριονόλαμα είναι σταματημένη.

### Αφαίρεση και τοποθέτηση και αφαίρεση μιας πριονόλαμας (εικ. Α)

#### Αφαίρεση

- ◆ Εισάγετε ένα κατσαβίδι στην οπή (14) για να εμποδίσετε την περιστροφή του δίσκου. Εναλλακτικά, κρατήστε την εξωτερική ροδέλα (15) χρησιμοποιώντας γαλλικό κλειδί 18 mm.
- ◆ Χαλαρώστε και αφαιρέστε τον κοχλία συγκράτησης του δίσκου (16) στρέφοντάς το αντίθετα με τη φορά των δεικτών του ρολογιού χρησιμοποιώντας το παρεχόμενο κλειδί Allen (17).
- ◆ Αφαιρέστε την εξωτερική ροδέλα (15).
- ◆ Αφαιρέστε την πριονόλαμα (18).

#### Προσαρμογή

- ◆ Τοποθετήστε το δίσκο επάνω στην εσωτερική ροδέλα (19), και βεβαιωθείτε ότι το βέλος επάνω στη λεπίδα δείχνει προς την ίδια κατεύθυνση με το βέλος στο εργαλείο.
- ◆ Τοποθετήστε την εξωτερική ροδέλα (15) στην άτρακτο, με το ανασηκωμένο τμήμα στραμμένο μακριά από την πριονόλαμα.
- ◆ Τοποθετήστε τον κοχλία συγκράτησης της λεπίδας (16) στην οπή.
- ◆ Εισάγετε ένα κατσαβίδι στην οπή (14) για να εμποδίσετε την περιστροφή του δίσκου. Εναλλακτικά, κρατήστε την εξωτερική ροδέλα (15) χρησιμοποιώντας γαλλικό κλειδί 18 mm.
- ◆ Σφίξτε καλά τον κοχλία συγκράτησης του δίσκου (16) στρέφοντάς τον με τη φορά των δεικτών του ρολογιού χρησιμοποιώντας το παρεχόμενο κλειδί Allen (17).
- ◆ Προσαρμόστε την αποσπώμενη λεπίδα όπως περιγράφεται παρακάτω.

### Ρύθμιση της αποσπώμενης λεπίδας (εικ. Β)

Η αποσπώμενη λεπίδα προλαμβάνει το μπλοκάρισμα της πριονόλαμας κατά τη διάρκεια εργασιών σχάσεως. Θα πρέπει να ρυθμιστεί η αποσπώμενη λεπίδα, μετά την αντικατάσταση της πριονόλαμας.

- ◆ Λασκάρτε τη βίδα (20).
- ◆ Τοποθετήστε την αποσπώμενη λεπίδα (13) όπως υποδεικνύεται.
  - Η απόσταση μεταξύ του οδοντωτού χείλους και της αποσπώμενης λεπίδας θα πρέπει να είναι 2 - 3 mm.
  - Η διαφορά ύψους μεταξύ του οδοντωτού χείλους και του κάτω άκρου της αποσπώμενης λεπίδας θα πρέπει να είναι 2 - 3 mm.
- ◆ Σφίξτε τη βίδα (20).

## Τοποθέτηση και αφαίρεση του παράλληλου οδηγού (εικ. Ε)

Ο παράλληλος οδηγός χρησιμοποιείται για το πριόνισμα σε ευθεία γραμμής παράλληλα με το άκρο του τεμαχίου εργασίας.

### Προσαρμογή

- ♦ Χαλαρώστε τον διακόπτη ασφάλισης (21).
- ♦ Εισάγετε τον παράλληλο οδηγό (12) μέσα από τα ανοίγματα (22).
- ♦ Σύρετε τον παράλληλο οδηγό στην επιθυμητή θέση.
- ♦ Σφίξτε τον διακόπτη ασφάλισης.

### Αφαίρεση

- ♦ Χαλαρώστε τον διακόπτη ασφάλισης (21).
- ♦ Σύρετε τον παράλληλο οδηγό εκτός του εργαλείου.

### Χρήση

**Προειδοποίηση!** Αφήστε το εργαλείο να λειτουργήσει με το δικό του ρυθμό. Μην το υπερφορτώνετε.

Το εργαλείο αυτό μπορεί να χρησιμοποιηθεί στη δεξιά ή στην αριστερή πλευρά.

**Προειδοποίηση!** Τοποθετήστε προσεκτικά το καλώδιο ώστε να μην το κόψετε κατά λάθος.

## Ρύθμιση του βάθους κοπής (εικ. D)

Το βάθος κοπής θα πρέπει να ρυθμίζεται ανάλογα με το πάχος του τεμαχίου που κατεργάζεστε. Θα πρέπει να υπερβαίνει το πάχος κατά περίπου 2 χιλιοστά.

- ♦ Χαλαρώστε το διακόπτη (5) ώστε να απασφαλίσετε το πέλαμα του πριονιού.
- ♦ Μετακινήστε το πέλαμα του πριονιού (11) στην επιθυμητή θέση. Το αντίστοιχο βάθος κοπής αναγράφεται στην κλίμακα (6).
- ♦ Σφίξτε το διακόπτη για να ασφαλίσετε το πέλαμα του πριονιού στη θέση του.

## Προσαρμογή της γωνίας λοξής κοπής (εικ. Ε)

Το εργαλείο μπορεί να ρυθμιστεί για γωνίες λοξής κοπής μεταξύ 0° και 45°.

- ♦ Χαλαρώστε το διακόπτη ασφάλισης (7) ώστε να απασφαλίσετε το πέλαμα του πριονιού.
- ♦ Μετακινήστε το πέλαμα του πριονιού (11) στην επιθυμητή θέση. Η αντίστοιχη γωνία λοξής κοπής αναγράφεται στην κλίμακα (8).
- ♦ Σφίξτε το διακόπτη ασφάλισης για να ασφαλίσετε το πέλαμα του πριονιού στη θέση του.

## Θέση εντός και εκτός λειτουργίας

**Προειδοποίηση!** Βεβαιωθείτε ότι έχετε αφαιρέσει το κλειδί Allen από τον κοχλία συγκράτησης του δίσκου πριν από τη θέση του μηχανήματος σε λειτουργία.

### Θέση σε λειτουργία

- ♦ Κρατήστε το κουμπί απασφάλισης (2) πατημένο και πιέστε τον διακόπτη on/off (1).
- ♦ Αφήστε το κουμπί απασφάλισης.

### Θέση εκτός λειτουργίας

- ♦ Αφήστε το διακόπτη λειτουργίας on/off.

## Ευθυγράμμιση του πριονιού με τη γραμμή κοπής (εικ. F)

Ο δίσκος είναι εξοπλισμένος με 2 οδηγούς για ευθεία κοπή (23) και δύο οδηγούς για κοπή φαλτσογωνιάς 45°.

- ♦ Ευθυγραμμίστε το αριστερό άκρο των οδηγών (23) ή (24) με την γραμμή κοπής (25).

Για κοπή μεγάλης ακρίβειας:

- ♦ Τραβήξτε μια γραμμή κοπής σε ένα κομμάτι ξύλου.
- ♦ Ευθυγραμμίστε το αριστερό άκρο των οδηγών (23) ή (24) με την γραμμή κοπής (25).
- ♦ Κάντε μια δοκιμή.
- ♦ Ανάλογα με τα αποτελέσματα, προσαρμόστε τη θέση των οδηγών σύμφωνα με τη γραμμή κοπής.

## Απομάκρυνση πριονιδιών (εικ. G)

Απαιτείται προσαρμογές για τη σύνδεση της ηλεκτρικής σκούπας ή της συσκευής απομάκρυνσης σκόνης στο εργαλείο. Μπορείτε να προμηθευτείτε τον προσαρμογέα από κάποιο εξουσιοδοτημένο κατάστημα Black & Decker.

- ♦ Συνδέστε τον προσαρμογέα εξαγωγής σκόνης στην έξοδο των πριονιδιών (26).
- ♦ Συνδέστε το σωλήνα της ηλεκτρικής σκούπας στον προσαρμογέα.

## Συμβουλές για άριστη χρήση

- ♦ Επειδή η δημιουργία σχιζών κατά μήκος της γραμμής κοπής στο επάνω μέρος του κατεργαζόμενου τεμαχίου είναι αναπόφευκτη, να κόβετε στο πλάι όπου η δημιουργία σχιζών είναι προτιμότερη.
- ♦ Στις περιπτώσεις όπου θα πρέπει να ελαχιστοποιηθεί η δημιουργία σχιζών, π.χ. κατά την κοπή ελασμάτων, στερεώστε ένα κόντρα πλακέ πάνω στο κατεργαζόμενο τεμάχιο.

## Εξαρτήματα

Η απόδοση του εργαλείου σας εξαρτάται από τα εξαρτήματα που χρησιμοποιείτε. Τα εξαρτήματα Black & Decker και Piranha είναι σχεδιασμένα σύμφωνα με πρότυπα υψηλής ποιότητας για να βελτιώνουν την απόδοση του εργαλείου σας. Χρησιμοποιώντας τα θα επιτύχετε τη βέλτιστη απόδοση του εργαλείου.

## Συντήρηση

Αυτό το εργαλείο/συσκευή της Black & Decker με καλώδιο/ ασύρματο έχει σχεδιαστεί έτσι ώστε να λειτουργεί για μεγάλο χρονικό διάστημα με την ελάχιστη δυνατή φροντίδα. Η αδιάλειπτη και κανονική λειτουργία του εργαλείου εξαρτάται από τη φροντίδα και τον τακτικό καθαρισμό.

**Προειδοποίηση!** Πριν εκτελέσετε οποιαδήποτε συντήρηση των ενσύρματων/ασύρματων ηλεκτρικών εργαλείων:

- ◆ Θέστε τη συσκευή/εργαλείο εκτός λειτουργίας και βγάλτε το από την πρίζα.
- ◆ Η θέστε εκτός λειτουργίας και αφαιρέστε τη μπαταρία από τη συσκευή/εργαλείο εάν η συσκευή/εργαλείο έχει ένα ξεχωριστό συγκρότημα μπαταρίας.
- ◆ Η αδειάστε εντελώς τη μπαταρία εάν είναι ενσωματωμένη και μετά θέστε εκτός λειτουργίας το μηχάνημα.
- ◆ Βγάλτε τον φορτιστή από την πρίζα πριν τον καθαρίσετε. Ο φορτιστής σας δεν απαιτεί καμία συντήρηση εκτός από τον τακτικό καθαρισμό του.
- ◆ Καθαρίζετε τακτικά τις οπές εξαερισμού του εργαλείου/συσκευής σας και του φορτιστή με μαλακή βούρτσα ή με στεγνό πανί.
- ◆ Να καθαρίζετε τακτικά το περίβλημα του μοτέρ χρησιμοποιώντας ένα υγρό πανί. Μη χρησιμοποιείτε αποξεστικά καθαριστικά ή υγρά καθαρισμού που περιέχουν διαλύτες.
- ◆ Να ανοίγετε τακτικά το τσοκ και να το αδειάζετε, προκειμένου να αφαιρείται η σκόνη από το εσωτερικό του (όταν υπάρχει).

## Διάθεση εργαλείων και περιβάλλον



Ξεχωριστή συλλογή. Αυτό το προϊόν δεν πρέπει να απορριφθεί με συνηθισμένα σπιτικά απορρίμματα.

Εάν κάποια μέρα διαπιστώσετε ότι το προϊόν σας Black & Decker χρειάζεται αντικατάσταση ή δεν σας χρησιμεύει πλέον, μην το απορρίψετε με τα σπιτικά απορρίμματα. Κάντε αυτό το προϊόν διαθέσιμο για ξεχωριστή συλλογή.



Η ξεχωριστή συλλογή χρησιμοποιημένων προϊόντων και συσκευασιών επιτρέπει την ανακύκλωση υλικών. Η επανάχρηση ανακυκλωμένων υλικών βοηθάει την προστασία του περιβάλλον και μειώνει την ζήτηση για σπάνια υλικά.

Οι τοπικοί κανονισμοί μπορεί να παρέχουν ξεχωριστή συλλογή ηλεκτρικών προϊόντων από κατοικίες, δημοτικές τοποθεσίες απορριμμάτων ή από τον έμπορα όταν αγοράσατε το καινούργιο προϊόν.

Η Black & Decker δίνει τη δυνατότητα συλλογής και ανακύκλωσης των προϊόντων της που έχουν συμπληρώσει τη διάρκεια ζωής τους. Αν θέλετε να χρησιμοποιήσετε την εν λόγω υπηρεσία, επιστρέψτε το προϊόν σας σε οποιοδήποτε εξουσιοδοτημένο κέντρο επισκευών, όπου θα το παραλάβουν εκ μέρους σας.

Ενημερωθείτε για το πλησιέστερο κέντρο επισκευών της περιοχής σας, επικοινωνώντας με τα γραφεία της Black & Decker στη διεύθυνση που αναγράφεται στο εγχειρίδιο. Επίσης, για να πληροφορηθείτε τα εξουσιοδοτημένα κέντρα επισκευών της Black & Decker και τις λεπτομέρειες και τους αρμόδιους των υπηρεσιών που παρέχονται μετά την πώληση, μπορείτε ανατρέξετε στο Διαδίκτυο στη διεύθυνση: [www.2helpU.com](http://www.2helpU.com)

## Τεχνικά χαρακτηριστικά

	KS40 TYPE 1
Τάση	V <sub>AC</sub> 230
Ισχύς εισόδου	W 710
Ταχύτητα άφορτου κίνησης	min <sup>-1</sup> 4.100
Μέγιστο βάθος κοπής	mm 40
Διάμετρος λεπίδας	mm 140
Οπή τροχού	mm 12,7
Πλάτος ακμής δίσκου	mm 2,4
Βάρος	kg 2,7

## Στάθμη πίεσης ήχου σύμφωνα με το πρότυπο EN 60745:

Πίεση ήχου (L<sub>pa</sub>) 95,2 dB(A), αβεβαιότητα (K) 3 dB(A)

Ακουστική ισχύς (L<sub>WA</sub>) 106,2 dB(A), αβεβαιότητα (K) 3 dB(A)

## Τιμές συνολικής δόνησης (άθροισμα τριαξονικών ανυσμάτων) αποφασισμένο σύμφωνα με EN 60745:

Τιμή εκπομπής δόνησης (a<sub>v</sub>) 1,359 m/s<sup>2</sup>, αβεβαιότητα (K) 1,5 m/s<sup>2</sup>



## Δήλωση συμμόρφωσης EK ΟΔΗΓΙΑ ΠΕΡΙ ΜΗΧΑΝΗΜΑΤΩΝ



Η Black & Decker δηλώνει ότι αυτά τα προϊόντα που περιγράφονται στον τομέα "τεχνικά χαρακτηριστικά" είναι σε συμμόρφωση με:

98/37/EK (μέχρι 28 Δεκ. 2009), 2006/42/EK  
(από 29 Δεκ. 2009), EN 60745-1, EN 60745-2-5

Για περισσότερες πληροφορίες, επικοινωνήστε με τη Black & Decker στη διεύθυνση που ακολουθεί ή στο πίσω μέρος του εγχειριδίου.

Ο υπογεγραμμένος είναι υπεύθυνος για τη σύνταξη του τεχνικού αρχείου και κάνει την παρών δήλωση εκ μέρους της Black & Decker.

Kevin Hewitt  
Vice-President Global Engineering  
Black & Decker Europe, 210 Bath Road, Slough,  
Berkshire, SL1 3YD  
Ηνωμένο Βασίλειο  
1-10-2009

- ◆ Έχει γίνει προσπάθεια επισκευής από μη εξουσιοδοτημένα κέντρα επισκευών ή από προσωπικό που δεν ανήκει στο προσωπικό της Black & Decker

Για να ισχύσει η εγγύηση, πρέπει να υποβάλετε απόδειξη αγοράς στον πωλητή ή το εξουσιοδοτημένο κέντρο επισκευών. Ενημερωθείτε για το πλησιέστερο κέντρο επισκευών της περιοχής σας, επικοινωνώντας με τα γραφεία της Black & Decker στη διεύθυνση που αναγράφεται στο εγχειρίδιο. Επίσης, για να πληροφορηθείτε για τα εξουσιοδοτημένα κέντρα επισκευών της Black & Decker, τις λεπτομέρειες και τους αρμόδιους των υπηρεσιών που παρέχονται μετά την πώληση, μπορείτε να ανατρέξετε στο Διαδίκτυο στη διεύθυνση: [www.2helpU.com](http://www.2helpU.com)

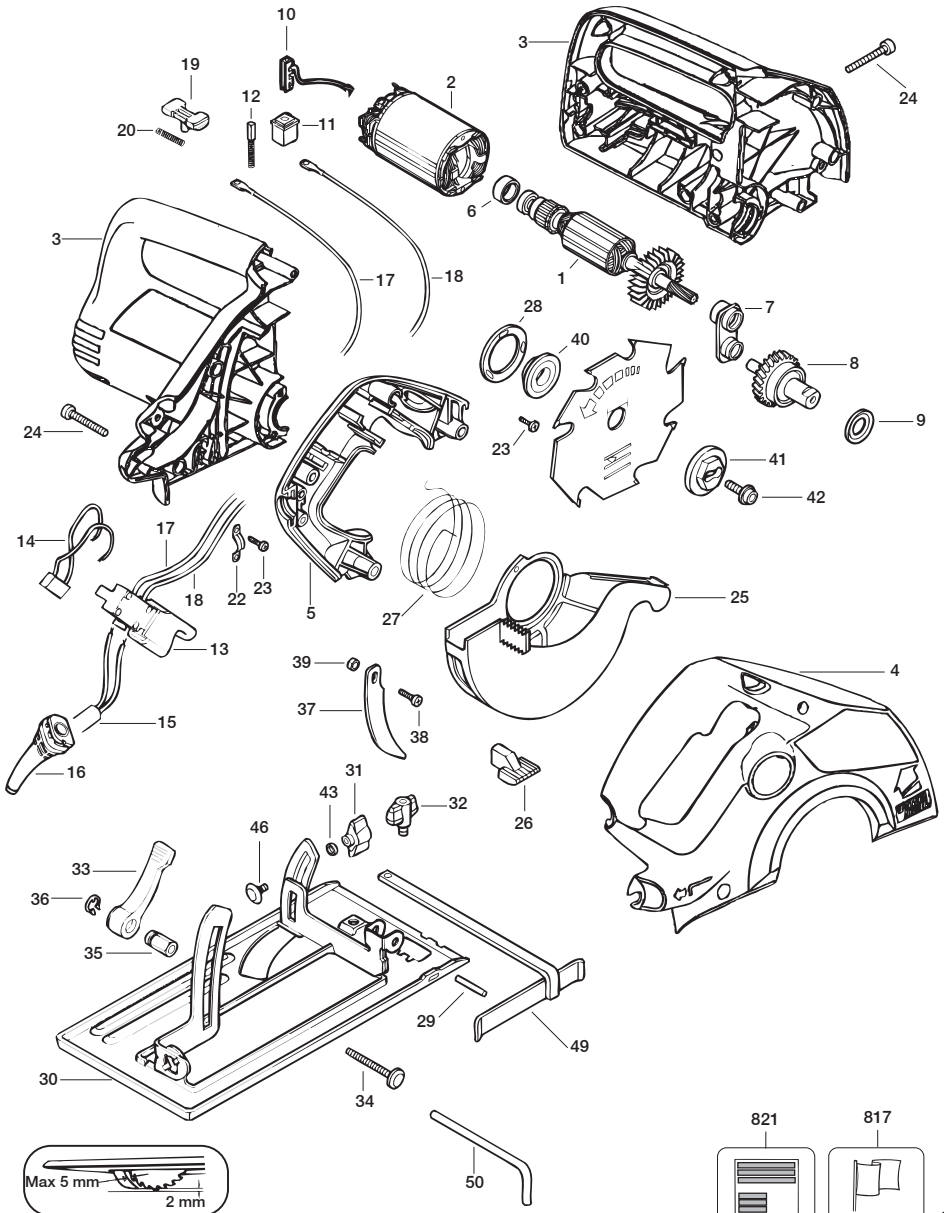
Παρακαλούμε να επισκεφθείτε την ιστοσελίδα μας [www.blackanddecker.eu](http://www.blackanddecker.eu) για να καταχωρήσετε το νέο σας προϊόν Black & Decker και για να ενημερώνεστε για τα νέα προϊόντα και τις ειδικές προσφορές. Περισσότερες πληροφορίες σχετικά με τη μάρκα Black & Decker και τη σειρά προϊόντων μας θα βρείτε στη διεύθυνση [www.blackanddecker.eu](http://www.blackanddecker.eu)

## Εγγύηση

Η Black & Decker είναι σίγουρη για την ποιότητα των προϊόντων της και παρέχει σημαντική εγγύηση. Η παρούσα γραπτή εγγύηση αποτελεί πρόσθετο δικαίωμά σας και δεν ζημιώνει τα συνταγματικά σας δικαιώματα. Η εγγύηση ισχύει εντός της επικράτειας των Κρατών Μελών της Ευρωπαϊκής Ένωσης και της Ευρωπαϊκής Ζώνης Ελευθέρων Συναλλαγών.

Σε περίπτωση που κάποιο προϊόν της Black & Decker παρουσιάσει βλάβη εξαιτίας ελαττωματικών υλικών, ποιότητας εργασίας ή έλλειψης συμφωνίας με τις προδιαγραφές εντός 24 μηνών από την ημερομηνία αγοράς, η Black & Decker εγγυάται την αντικατάσταση των ελαττωματικών τμημάτων, την επισκευή προϊόντων που έχουν υποστεί εύλογη φθορά λόγω χρήσης ή την αντικατάσταση των προϊόντων προκειμένου να εξασφαλίσει την ελάχιστη ενόχληση στους πελάτες της, εκτός αν:

- ◆ Το προϊόν έχει χρησιμοποιηθεί σε εργασιακό, επαγγελματικό περιβάλλον ή αν έχει ενοικιαστεί
- ◆ Έχει γίνει εσφαλμένη χρήση του προϊόντος ή αν έχει παραμεληθεί
- ◆ Το προϊόν έχει υποστεί βλάβη από άλλα αντικείμενα, από ουσίες ή λόγω ατυχήματος









ENGLISH

**Do not forget to register your product!**

[www.blackanddecker.co.uk/productregistration](http://www.blackanddecker.co.uk/productregistration)

Register your product online at [www.blackanddecker.co.uk/productregistration](http://www.blackanddecker.co.uk/productregistration) or send your name, surname and product code to Black & Decker in your country.

DEUTSCH

**Vergessen Sie nicht, Ihr Produkt registrieren zu lassen!**

[www.blackanddecker.de/productregistration](http://www.blackanddecker.de/productregistration)

Lassen Sie Ihr Produkt unter [www.blackanddecker.de/productregistration](http://www.blackanddecker.de/productregistration) online registrieren oder schicken Sie Ihren Nachnamen, Vornamen und den Produktcode an Black & Decker in Ihrem Land.

FRANÇAIS

**N'oubliez pas d'enregistrer votre produit !**

[www.blackanddecker.fr/productregistration](http://www.blackanddecker.fr/productregistration)

Enregistrez votre produit en ligne sur [www.blackanddecker.fr/productregistration](http://www.blackanddecker.fr/productregistration) ou envoyez vos nom, prénom et code produit à Black & Decker dans votre pays.

ITALIANO

**Non dimenticate di registrare il prodotto!**

[www.blackanddecker.it/productregistration](http://www.blackanddecker.it/productregistration)

Registrate il prodotto online su [www.blackanddecker.it/productregistration](http://www.blackanddecker.it/productregistration) o inviate nome, cognome e codice del prodotto al centro Black & Decker del vostro paese.

NEDERLANDS

**Vergeet niet uw product te registreren!**

[www.blackanddecker.nl/productregistration](http://www.blackanddecker.nl/productregistration)

U kunt uw product online registreren op [www.blackanddecker.nl/productregistration](http://www.blackanddecker.nl/productregistration) of u kunt uw voornaam, achternaam en productcode opsturen naar Black & Decker in uw land.

ESPAÑOL

**¡No olvide registrar su producto!**

[www.blackanddecker.es/productregistration](http://www.blackanddecker.es/productregistration)

Registre su producto on-line en [www.blackanddecker.es/productregistration](http://www.blackanddecker.es/productregistration) o envíe su nombre, apellidos y código de producto a Black & Decker en su país.

## PORTUGUÊS

### Não se esqueça de registar o seu produto!

[www.blackanddecker.pt/productregistration](http://www.blackanddecker.pt/productregistration)

Registe o seu produto online em [www.blackanddecker.pt/productregistration](http://www.blackanddecker.pt/productregistration) ou envie o seu nome, apelido e código do produto para a Black & Decker no seu país.

## SVENSKA

### Glöm inte att registrera produkten!

[www.blackanddecker.se/productregistration](http://www.blackanddecker.se/productregistration)

Registrera produkten online på [www.blackanddecker.se/productregistration](http://www.blackanddecker.se/productregistration) eller skicka namn och produktkod till Black & Decker i landet du bor i.

## NORSK

### Ikke glem å registrere produktet ditt!

[www.blackanddecker.no/productregistration](http://www.blackanddecker.no/productregistration)

Registrer produktet ditt online på [www.blackanddecker.no/productregistration](http://www.blackanddecker.no/productregistration), eller send ditt navn, etternavn og produktkode til Black & Decker i ditt eget land.

## DANSK

### Glem ikke at registrere dit produkt!

[www.blackanddecker.dk/productregistration](http://www.blackanddecker.dk/productregistration)

Registrer dit produkt på internettet på: [www.blackanddecker.dk/productregistration](http://www.blackanddecker.dk/productregistration) eller send dit navn, efternavn og produktkode til Black & Decker i dit eget land.

## SUOMI

### Muistathan rekisteröidä tuotteesi!

[www.blackanddecker.fi/productregistration](http://www.blackanddecker.fi/productregistration)

Rekisteröi tuotteesi verkossa osoitteessa [www.blackanddecker.fi/productregistration](http://www.blackanddecker.fi/productregistration) tai lähetä etunimesi, sukunimesi ja tuotekoodi oman maasi Black & Decker -edustajalle.

## ΕΛΛΗΝΙΚΑ

### Μην ξεχάσετε να καταχωρίσετε το προϊόν σας!

[www.blackanddecker.gr/productregistration](http://www.blackanddecker.gr/productregistration)

Καταχωρίστε το προϊόν σας σε σύνδεση στη σελίδα [www.blackanddecker.gr/productregistration](http://www.blackanddecker.gr/productregistration) ή στείλτε το όνομα, επίθετο σας και τον κωδικό πριονιωτός στη Black & Decker στη χώρα σας.

<b>België/Belgique</b>	Black & Decker (Belgium) N.V. Nieuwlandlaan 7 I.Z. Aarschot B156 3200 Aarschot	Tel. Fax	016 68 91 00 016 68 91 11
<b>Danmark</b>	Black & Decker Sluseholmen 2-4, 2450 København SV Internet: <a href="http://www.blackanddecker.dk">www.blackanddecker.dk</a>	Tel. Fax	70 20 15 10 70 22 49 10
<b>Deutschland</b>	Black & Decker GmbH Black & Decker Str. 40, D - 65510 Idstein	Tel. Fax	06126/21 - 0 06126/21 29 80
<b>Ελλάδα</b>	Black & Decker (Ελλάς) Α.Ε. Σπύρβωνος 7 & Λεωφ. Βουλιαγμένης 159 166 74 Γλυφάδα - Αθήνα	Τηλ. Φαξ <a href="http://www.blackanddecker.eu">www.blackanddecker.eu</a>	210 8981616 210 8983285
<b>España</b>	Black & Decker Ibérica, S.C.A. Parc de Negocis "Mas Blau" Edificio Muntadas, c/Bergadá, 1, Of. A6 08820 El Prat de Llobregat (Barcelona)	Tel. Fax	934 797 400 934 797 419
<b>France</b>	Black & Decker (France) S.A.S. 5 allée des Hêtres B.P. 30084 69579 Limonest Cédex	Tel. Fax	04 72 20 39 20 04 72 20 39 00
<b>Helvetia</b>	ROFO AG Gewerbezone Seeblick 3213 Kleinbödingen	Tel. Fax	026-6749391 026-6749394
<b>Italia</b>	Black & Decker Italia SpA Viale Elvezia 2 20052 Monza (MI)	Tel. Fax Numero verde	039-23871 039-2387592/2387594 800-213935
<b>Nederland</b>	Black & Decker Benelux Joulehof 12, 4622 RG Bergen op Zoom	Tel. Fax	0164 - 283000 0164 - 283100
<b>Norge</b>	Black & Decker (Norge) A/S Postboks 4814, Nydalen, 0422 Oslo Internet: <a href="http://www.blackanddecker.no">www.blackanddecker.no</a>	Tlf. Fax	22 90 99 00 22 90 99 01
<b>Österreich</b>	Black & Decker Vertriebsges.m.b.H Oberlaaerstraße 246, A1100 Wien	Tel. Fax	01 66116-0 01 66116-14
<b>Portugal</b>	Black & Decker Rua Egas Moniz 173 S. João do Estoril 2766-651 Estoril	Tel. Fax	214667500 214667580
<b>Suomi</b>	Black & Decker Oy Keilasatama 3, 02150 Espoo Black & Decker Oy, Kägelhamnen 3, 02150 Esbo	Puh. Faksi Tel. Fax	010 400 430 (09) 2510 7100 010 400 430 (09) 2510 7100
<b>Sverige</b>	Black & Decker AB Box 94, 431 22 Mölndal	Tel. Fax	031-68 60 60 031-68 60 80
<b>United Kingdom</b>	Black & Decker 210 Bath Road Slough, Berkshire SL1 3YD	Tel. Fax Helpline	01753 511234 01753 551155 01753 574277
<b>Middle East &amp; Africa</b>	Black & Decker (Overseas) A.G. PB 5420, Dubai, United Arab Emirates	Tel. Fax	+971 4 2826464 +971 4 2826466