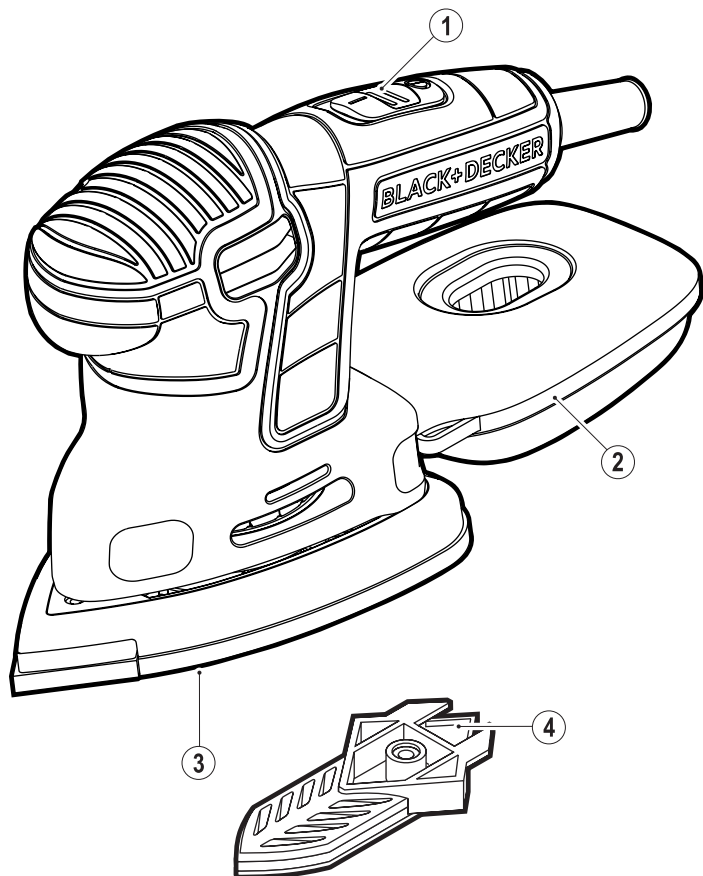


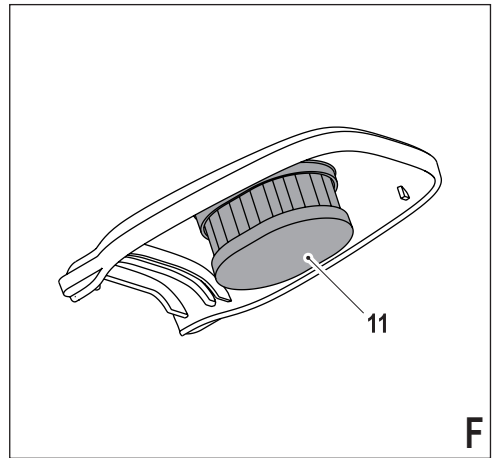
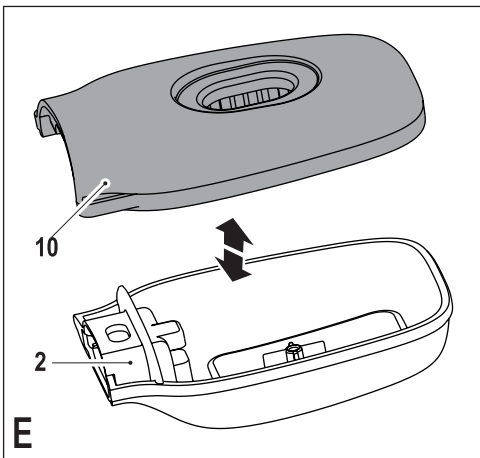
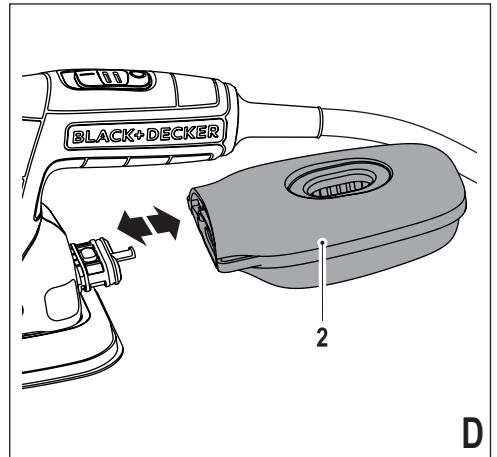
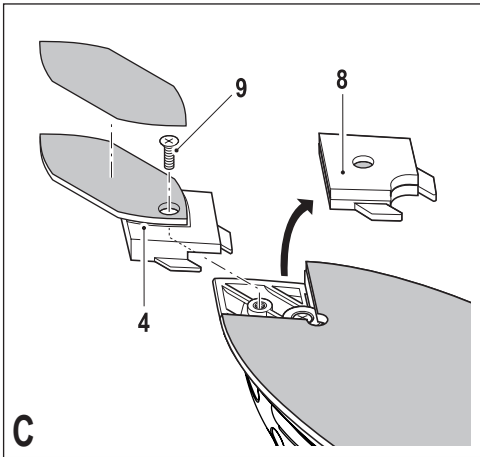
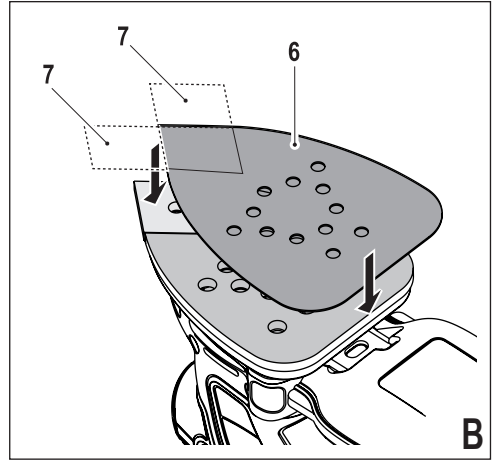
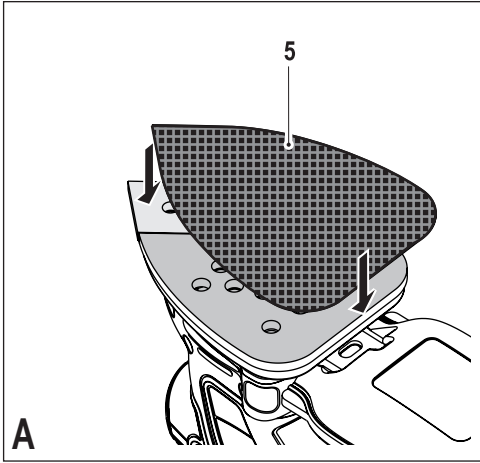
BLACK+ DECKER

TM



www.blackanddecker.au

KA2000
KA2500



Intended use

Your BLACK+DECKER sander has been designed for sanding wood, metal, plastics and painted surfaces. This tool is intended for consumer use only.

Safety instructions

General power tool safety warnings



Warning! Read all safety warnings and all instructions. Failure to follow the warnings and instructions listed below may result in electric shock, fire and/or serious injury.

Save all warnings and instructions for future reference.

The term "power tool" in all of the warnings listed below refers to your mains operated (corded) power tool or battery operated (cordless) power tool.

1. Work area safety

- a. **Keep work area clean and well lit.** Cluttered or dark areas invite accidents.
- b. **Do not operate power tools in explosive atmospheres, such as in the presence of flammable liquids, gases or dust.** Power tools create sparks which may ignite the dust or fumes.
- c. **Keep children and bystanders away while operating a power tool.** Distractions can cause you to lose control.

2. Electrical safety

- a. **Power tool plugs must match the outlet. Never modify the plug in any way. Do not use any adapter plugs with earthed (grounded) power tools.** Unmodified plugs and matching outlets will reduce risk of electric shock.
- b. **Avoid body contact with earthed or grounded surfaces such as pipes, radiators, ranges and refrigerators.** There is an increased risk of electric shock if your body is earthed or grounded.
- c. **Do not expose power tools to rain or wet conditions.** Water entering a power tool will increase the risk of electric shock.
- d. **Do not abuse the cord. Never use the cord for carrying, pulling or unplugging the power tool. Keep cord away from heat, oil, sharp edges or moving parts.** Damaged or entangled cords increase the risk of electric shock.
- e. **When operating a power tool outdoors, use an extension cord suitable for outdoor use.** Use of a cord suitable for outdoor use reduces the risk of electric shock.

- f. **If operating a power tool in a damp location is unavoidable, use a residual current device (RCD) protected supply.** Use of an RCD reduces the risk of electric shock.
- #### 3. Personal safety
- a. **Stay alert, watch what you are doing and use common sense when operating a power tool. Do not use a power tool while you are tired or under the influence of drugs, alcohol or medication.** A moment of inattention while operating power tools may result in serious personal injury.
 - b. **Use personal protective equipment. Always wear eye protection.** Protective equipment such as dust mask, non-skid safety shoes, hard hat, or hearing protection used for appropriate conditions will reduce personal injuries.
 - c. **Prevent unintentional starting. Ensure the switch is in the off-position before connecting to power source and/or battery pack, picking up or carrying the tool.** Carrying power tools with your finger on the switch or energising power tools that have the switch on invites accidents.
 - d. **Remove any adjusting key or wrench before turning the power tool on.** A wrench or a key left attached to a rotating part of the power tool may result in personal injury.
 - e. **Do not overreach. Keep proper footing and balance at all times.** This enables better control of the power tool in unexpected situations.
 - f. **Dress properly. Do not wear loose clothing or jewellery. Keep your hair, clothing and gloves away from moving parts.** Loose clothes, jewellery or long hair can be caught in moving parts.
 - g. **If devices are provided for the connection of dust extraction and collection facilities, ensure these are connected and properly used.** Use of dust collection can reduce dust-related hazards.
- #### 4. Power tool use and care
- a. **Do not force the power tool. Use the correct power tool for your application.** The correct power tool will do the job better and safer at the rate for which it was designed.
 - b. **Do not use the power tool if the switch does not turn it on and off.** Any power tool that cannot be controlled with the switch is dangerous and must be repaired.
 - c. **Disconnect the plug from the power source and/or the battery pack from the power tool before making any adjustments, changing accessories, or storing power tools.** Such preventive safety measures reduce the risk of starting the power tool accidentally.

- d. **Store idle power tools out of the reach of children and do not allow persons unfamiliar with the power tool or these instructions to operate the power tool.** Power tools are dangerous in the hands of untrained users.
 - e. **Maintain power tools. Check for misalignment or binding of moving parts, breakage of parts and any other condition that may affect the power tools operation. If damaged, have the power tool repaired before use.** Many accidents are caused by poorly maintained power tools.
 - f. **Keep cutting tools sharp and clean.** Properly maintained cutting tools with sharp cutting edges are less likely to bind and are easier to control.
 - g. **Use the power tool, accessories and tool bits etc. in accordance with these instructions, taking into account the working conditions and the work to be performed.** Use of the power tool for operations different from those intended could result in a hazardous situation.
5. **Service**
- a. **Have your power tool serviced by a qualified repair person using only identical replacement parts.** This will ensure that the safety of the power tool is maintained.
 - b. **Power to the tool should always be supplied via residual current device with a rated residual current of 30mA or less.**

Additional power tool safety warnings



Warning! Additional safety warnings for sanders



Warning! Contact with or inhalation of dusts arising from sanding applications may endanger the health of the operator and possible bystanders. Wear a dust mask specifically designed for protection against dust and fumes and ensure that persons within or entering the work area are also protected.

- ◆ **Hold power tool by insulated gripping surfaces when performing an operation where the cutting accessory may contact hidden wiring.** Accessory contacting a "live" wire may make exposed metal parts of the power tool "live" and could give the operator an electric shock
- ◆ **Use clamps or another practical way to secure and support the workpiece to a stable platform.** Holding the work by hand or against your body leaves it unstable and may lead to loss of control.



Warning! Take special care when sanding some woods (e.g. beech, oak) and metal which may produce toxic dust. Wear a dust mask specifically designed for protection against toxic dust and fumes and ensure that persons within or entering the work area are also protected.



Warning! Use this tool in a well ventilated area when sanding ferrous metals. Do not operate the tool near flammable liquids, gases or dust. Sparks or hot particles from sanding or arcing motor brushes may ignite combustible materials.



Warning! Do not sand magnesium! There is a risk of fire or explosions.

- ◆ Thoroughly remove all dust after sanding.
- ◆ The intended use is described in this instruction manual. The use of any accessory or attachment or performance of any operation with this tool other than those recommended in this instruction manual may present a risk of personal injury and/or damage to property.

Safety when sanding paint



Warning! Observe the applicable regulations for sanding paint. Pay special attention to the following:

- ◆ Whenever possible, use a vacuum extractor for dust collection.
- ◆ Take special care when sanding paint which is possibly lead based and may produce toxic dust:
 - ◆ Do not let children or pregnant women enter the work area.
 - ◆ All persons entering the work area should wear a mask specially designed for protection against lead paint dust and fumes.
 - ◆ Do not eat, drink or smoke in the work area.
- ◆ Dispose of dust particles and any other removal debris safely.

Safety of others

- ◆ This appliance is not intended for use by persons (including children) with reduced physical, sensory or mental capabilities, or lack of experience and knowledge, unless they have been given supervision or instruction concerning use of the appliance by a person responsible for their safety.
- ◆ Children should be supervised to ensure that they do not play with the appliance.

Residual risks.

Additional residual risks may arise when using the tool which may not be included in the enclosed safety warnings. These risks can arise from misuse, prolonged use etc.

Even with the application of the relevant safety regulations and the implementation of safety devices, certain residual risks can not be avoided. These include:

- ◆ Injuries caused by touching any rotating/moving parts.
- ◆ Injuries caused when changing any parts, blades or accessories.
- ◆ Injuries caused by prolonged use of a tool. When using any tool for prolonged periods ensure you take regular breaks.
- ◆ Impairment of hearing.
- ◆ Health hazards caused by breathing dust developed when using your tool (example:- working with wood, especially oak, beech and MDF.)

Vibration

The declared vibration emission values stated in the technical data and the declaration of conformity have been measured in accordance with a standard test method provided by EN 60745 and may be used for comparing one tool with another. The declared vibration emission value may also be used in a preliminary assessment of exposure.

Warning! The vibration emission value during actual use of the power tool can differ from the declared value depending on the ways in which the tool is used. The vibration level may increase above the level stated.

When assessing vibration exposure to determine safety measures required by 2002/44/EC to protect persons regularly using power tools in employment, an estimation of vibration exposure should consider, the actual conditions of use and the way the tool is used, including taking account of all parts of the operating cycle such as the times when the tool is switched off and when it is running idle in addition to the trigger time.

Labels on tool

The following pictograms are shown on the tool:



Warning! To reduce the risk of injury, the user must read the instruction manual.

Electrical safety



This tool is double insulated; therefore no earth wire is required. Always check that the power supply corresponds to the voltage on the rating plate.

- ◆ If the supply cord is damaged, it must be replaced by the manufacturer or an authorised Black & Decker Service Centre in order to avoid a hazard.

Using an extension cable

- ◆ Always use an approved extension cable suitable for the power input of this tool (see technical data). Before use, inspect the extension cable for signs of damage, wear and ageing. Replace the extension cable if damaged or defective. When using a cable reel, always unwind the cable completely. Use of an extension cable not suitable for the power input of the tool or which is damaged or defective may result in a risk of fire and electric shock.


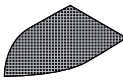
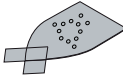
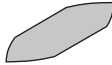
Features

This tool includes some or all of the following features.

1. On/off switch
2. Dust collection canister
3. Sanding base
4. Finger attachment

Accessories

The accessories supplied with your sander depend upon the model that you have purchased. All the accessories listed below are available in our Piranha® range. If you require an accessory that is listed below but is not supplied with your sander please visit our website at www.blackanddecker.eu. The performance of your tool depends on the accessory used. Black & Decker and Piranha accessories are engineered to high quality standards and designed to enhance the performance of your tool. By using these accessories you will get the very best from your tool.

Item	Description
	<p>Detail finger. For small hard-to-reach areas. The detail finger can be used for light sanding and for sanding into corners. (Part Number - X32214-XJ)</p>
	<p>240 grit sanding mesh. For a fine finish for large detail sanding. (Part Number - X39132-XJ)</p> <p>120 grit sanding mesh. For a medium finish for large detail sanding. (Part Number - X39127-XJ)</p> <p>80 grit sanding mesh. For a coarse finish for large detail sanding. (Part Number - X39122-XJ)</p>
	<p>240 grit large detail sanding sheet with two replacement tips. For a fine finish for large detail sanding. (Part Number - X31019-XJ)</p> <p>120 grit large detail sanding sheet with two replacement tips. For a medium finish for large detail sanding. (Part Number - X31009-XJ)</p> <p>60 grit large detail sanding sheet with two replacement tips. For a coarse finish for large detail sanding. (Part Number - X31039-XJ)</p>
	<p>120 grit detailed finger sanding sheet. For a medium finish for detailed sanding. (Part Number - X3277-XJ)</p>

Assembly

Warning! Before assembly, make sure that the tool is switched off and unplugged.

Fitting sanding mesh (fig. A)

- ◆ Hold the tool with the sanding base facing upwards.
- ◆ Place the sanding mesh (5) onto the sanding base, making sure that the holes in the sheet line up with the holes in the base.

Fitting sanding sheets (fig. B - Optional accessory)

- ◆ Detach the two additional diamond-shaped tips (7) from the sanding sheet (6).

The diamond-shaped tip (7) can be reversed and replaced when worn.

- ◆ When the front part of the tip is worn, detach it from the sheet, reverse it and press it onto the sanding base again.
- ◆ When the whole tip is worn, remove it from the sanding base and fit a new tip.

For optimal dust collection, ensure the correct type of sanding paper is used.

Finger attachment (fig. C)

The finger attachment is used for fine detail sanding.

- ◆ Remove the screw (9).
- ◆ Remove the diamond-shaped tip (8) from the sanding base.
- ◆ Fit the finger attachment (4) onto the sanding base.
- ◆ Fit and tighten the screw.
- ◆ Fit the appropriate sanding sheet onto the finger attachment.

Fitting and removing the dust cassette (fig. D)

- ◆ Slide the dust cassette (2) onto the tool and make sure that it is securely located.
- ◆ To remove the dust cassette, pull it to the rear and off the tool.

Use

Warning! Let the tool work at its own pace. Do not overload.

Switching on and off

- ◆ To switch the tool on, slide the on/off switch (1) to the forward position I.
- ◆ To switch the tool off, slide the on/off switch (1) to the back position O.

Emptying the dust cassette (fig. D, E & F)

The dust cassette should be emptied every 10 minutes of use.

- ◆ While holding the tool, pull the dust cassette (2) off the tool.
- ◆ Remove the cassette lid (10).
- ◆ Shake the lid (10) and dust cassette (2) to empty the contents, the filter (11) inside the lid (10) can be cleaned with a soft dry brush.
- ◆ Refit the lid (10) to the dust cassette (2).
- ◆ Refit the dust cassette (2).

Maintenance

Your tool has been designed to operate over a long period of time with a minimum of maintenance. Continuous satisfactory operation depends upon proper tool care and regular cleaning.

Warning! Before performing any maintenance, switch off and unplug the tool.

- ◆ Regularly clean the ventilation slots in your tool using a soft brush or dry cloth.
- ◆ Regularly clean the motor housing using a damp cloth. Do not use any abrasive or solvent-based cleaner.

Protecting the environment



Separate collection. This product must not be disposed of with normal household waste.

Should you find one day that your Black & Decker product needs replacement, or if it is of no further use to you, do not dispose of it with household waste. Make this product available for separate collection.



Separate collection of used products and packaging allows materials to be recycled and used again. Re-use of recycled materials helps prevent environmental pollution and reduces the demand for raw materials.

Local regulations may provide for separate collection of electrical products from the household, at municipal waste sites or by the retailer when you purchase a new product.

Black & Decker provides a facility for the collection and recycling of Black & Decker products once they have reached the end of their working life. To take advantage of this service please return your product to any authorised repair agent who will collect them on our behalf.

You can check the location of your nearest authorised repair agent by contacting your local Black & Decker office at the address indicated in this manual. Alternatively, a list of authorised Black & Decker repair agents and full details of our after-sales service and contacts are available on the Internet at: www.2helpU.com

Technical data

		KA2000 (Type 1)	KA2500 (Type 1)
Input voltage	V _{ac}	230	230
Power input	W	120	120
Oscillations (no load)	min ⁻¹	28,000	28,000
Orbits (no load)	min ⁻¹	14,000	14,000
Sanding base surface	mm ²	8161	8161
Weight	kg	1	1

L _{pA} (sound pressure) 73 dB(A), Uncertainty (K) 3 dB(A)
L _{WA} (sound power) 84 dB(A), Uncertainty (K) 3 dB(A)
Vibration total values (tri-ax vector sum) according to EN 60745:
Vibration emission value (a _h) 7.0 m/s ² , uncertainty (K) 1.5 m/s ²

Australia & New Zealand

Stanley Black & Decker

82 Taryn Drive, Epping, VIC 3076 Australia

Tel. 1800 338 002 (Aust) or Tel. 0800 339 258 (NZ)