

Intended use

Your BLACK+DECKER BEMW451 lawn mower has been designed for mowing grass. This appliance is intended for consumer use only.

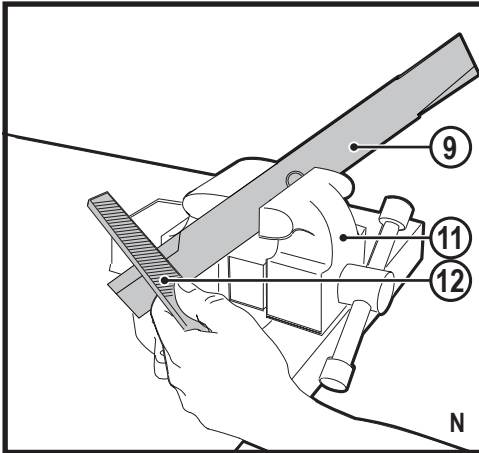
Safety instructions

Warning! When using mains-powered appliances, basic safety precautions, including the following, should always be followed to reduce the risk of fire, electric shock and personal injury.

- ◆ Read all of this manual carefully before using the appliance.
- ◆ The intended use is described in this manual.

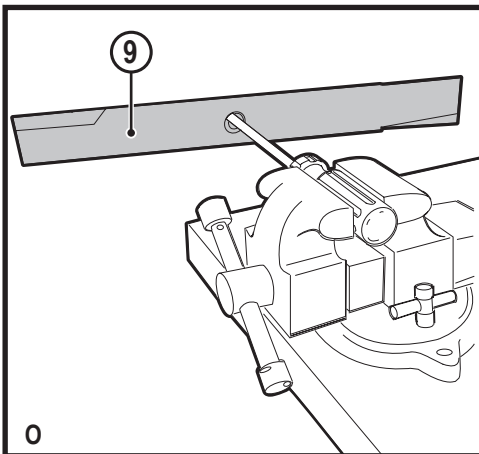
The use of any accessory or attachment or the performance of any operation with this appliance other than those recommended in this instruction manual may present a risk of personal injury.

- ◆ Retain this manual for future reference.



Training

- ◆ Read the instructions carefully. Be familiar with the controls and the proper use of the appliance.
- ◆ Never allow children or people unfamiliar with these instructions to use the machine. Local regulations can restrict the age of the operator.
- ◆ Never operate the machine while people, especially children, or pets are nearby.
- ◆ Keep in mind that the operator or user is responsible for accidents or hazards occurring to other people or their property.



Preparation

- ◆ While operating the machine always wear substantial footwear and long trousers.
Do not operate the machine when barefoot or wearing open sandals. Avoid wearing clothing that is loose fitting or that has hanging cords or ties.
- ◆ Thoroughly inspect the area where the machine is to be used and remove all objects which can be thrown by the machine.
- ◆ Before using, always visually inspect to see that the blade, blade bolt and the blade assembly are not worn or damaged. Replace worn or damaged components in sets to preserve balance. Replace damaged or unreadable labels.
- ◆ Before use check the supply and extension cord for signs of damage or aging.
If the cord becomes damaged during use, disconnect the cord from the supply immediately. **DO NOT TOUCH THE CORD BEFORE DISCONNECTING THE SUPPLY.** Do not use the machine if the cord is damaged or worn.
- ◆ Wear safety glasses or goggles when operating this tool.
Use a face or dust mask whenever the operations take place in dusty surroundings. Hearing protection should be worn whenever the sound level seems uncomfortable.
- ◆ Guard against electric shock.

Prevent body contact with earthed or grounded surfaces (e.g. metal railings, lampposts, etc.).

Operation

- ◆ Never operate the appliance with defective guards or shields, or without safety devices, for example deflectors and/or grass catchers, in place.
- ◆ Only use the appliance in daylight or good artificial light.
- ◆ Do not expose the appliance to rain. Do not use the appliance in damp or wet conditions. Preferably do not use the appliance in wet grass.
- ◆ Be sure of your footing, particularly on slopes. Be aware that freshly cut grass is damp and slippery. Do not work on steep slopes.
- ◆ Work across the face of slopes, never up and down. Take extreme caution when changing direction on slopes.
- ◆ Do not mow excessively steep slopes.
- ◆ Walk, never run when using the appliance. Do not pull the appliance towards you or walk backwards when using the appliance.
- ◆ Switch on the appliance according to instructions and with your feet well away from the blade.
- ◆ Do not start the machine when standing in front of the discharge opening.
- ◆ Do not tilt appliance when switching it on, except if the appliance has to be tilted for starting.

In that case, do not tilt the appliance more than absolutely necessary and lift only the part that is away from the operator. Always ensure that both hands are in the operating position before returning the appliance to the ground.

- ◆ Switch off the appliance and wait for the blade assembly to stop running if the appliance has to be tilted for transportation when crossing surfaces other than grass, and when transporting the appliance to and from the area to be mowed.
- ◆ Do not lift or carry the appliance until the blade has come to a complete standstill.
- ◆ Keep your hands and feet well away from the blade.
- ◆ Do not put your hands or feet near or under rotating parts.
- ◆ Keep away from discharge openings at all times.
- ◆ Switch off, remove the plug from the socket and ensure that moving parts have stopped rotating before leaving the appliance unattended and before changing, cleaning or inspecting any parts of the appliance or clearing a blockage. After striking a foreign object. Inspect the machine for damage and make repairs before restarting and operating the machine;
- ◆ If the appliance starts to vibrate abnormally or if you hit a foreign object, switch the appliance off and remove the plug from the socket.

Check for any damage to the appliance, replace or repair any damaged parts, check for and tighten any loose parts.

- ◆ Take care to keep the mains cable away from the blade. Always be aware of the position of the cable.
- ◆ The motor will continue to run for a few seconds after switching the appliance off. Never attempt to force the blade to come to a standstill.

Maintenance and storage

- ◆ Before use, check the appliance for damaged or defective parts. Check for misalignment and seizure of moving parts, breakage of parts, damage to guards and switches and any other conditions that may affect its operation. Ensure that the appliance will operate properly and perform its intended function. Never use the appliance when any guard or enclosure is damaged or not in place. Do not use the appliance if any part is damaged or defective. Do not use the appliance if the switch does not turn it on and off. Have any damaged or defective parts repaired or replaced by an authorised repair agent.
- ◆ Check the cable frequently for damage. If the cable is damaged, it must be replaced by an authorised repair agent in order to prevent a hazard. Inspect extension cables periodically. Replace a damaged extension cable immediately.

- ◆ Keep all nuts, bolts and screws on the appliance tight to ensure a safe working condition.
- ◆ Check the grass collector for wear or damage and replace it if necessary. Never use the appliance without the grass collector.
- ◆ Be careful during adjustment of the machine to prevent entrapment of the fingers between moving blades and fixed parts of the machine.
- ◆ When servicing the blades be aware that, even though the power source is switched off, the blades can still be moved.
- ◆ When not in use, the appliance should be stored in a dry place. Children should not have access to stored appliances.
- ◆ Always allow the machine to cool down before storing.
- ◆ Ensure that only replacement cutting means of the right type are used.
- ◆ Use only BLACK+DECKER recommended spare parts and accessories.

Additional safety instructions for Lawnmowers

- ◆ Always use an approved extension cable suitable for the power input of this tool (see technical data). The extension cable must be suitable for outdoor use and marked accordingly. Up to 30 m of 1.5 mm² HO5VV-F extension cable can be used without loss of product performance.

Before use, inspect the extension cable for signs of damage, wear and ageing. Replace the extension cable if damaged or defective. When using a cable reel, always unwind the cable completely.

- ◆ Do not transport the machine while the power source is running
- ◆ Firmly grip handle with both hands when operating the lawn mower.
- ◆ If at any time it is felt necessary to tilt the lawn mower, make sure that both hands remain in the operating position while the lawn mower is tilted. Keep both hands in the operating position until the lawn mower is returned to rest correctly on the ground.
- ◆ Never wear radio or music headphones while operating the lawn mower.
- ◆ Never attempt to make a wheel height adjustment while the motor is running or while the safety key is in the switch housing.
- ◆ If the lawn mower stalls, turn mower off, wait for blade to stop, before attempting to unclog the chute or remove anything from under the deck.
- ◆ Keep hands and feet away from cutting area.
- ◆ Keep blades sharp. Always use protective gloves when handling the lawn mower blade.
- ◆ If you are using the grass collector, check it frequently for wear and deterioration. If excessively worn, replace with a new grass collector for your safety.

- ◆ Use extreme caution when reversing or pulling the lawn mower towards you.
- ◆ Do not put hands or feet near or under the lawn mower.
Keep clear of the discharger opening at all times.
- ◆ Clear the area where the lawn mower is to be used of objects such as rocks, sticks, wire, toys, bones etc., which could be thrown by the blade.
Objects struck by the blade can cause severe injury to persons. Stay behind the handle when the motor is running.
- ◆ Do not operate the lawn mower barefooted or while wearing sandals. Always wear substantial footwear.
- ◆ Do not pull lawn mower backward unless absolutely necessary. Always look down and behind before and while moving backward.
- ◆ Never direct discharged material toward anyone. Avoid discharging material against a wall or obstruction. Material may ricochet back toward the operator. Release the start handle to turn the lawn mower off and stop the blade when crossing gravel surfaces.
- ◆ Do not operate the lawn mower without the entire grass collector, discharge guard, rear guard, or other safety protective devices in place and working. Periodically check all guards and safety protective devices to ensure they are in good working order and will operate properly and perform their intended function.
Replace a damaged guard or other safety device before further use.
- ◆ Never leave a running lawn mower unattended.
- ◆ Always release the bail bar to stop the motor and wait until the blade comes to a complete stop before cleaning the lawn mower, removing the grass bag, unclogging the discharge guard, when leaving the lawn mower, or before making any adjustments, repairs or inspections.
- ◆ Operate lawn mower only in daylight or good artificial light when objects in the path of the blade are clearly visible from the operating area of the lawn mower.
- ◆ Do not operate the lawn mower while under the influence of alcohol or drugs, or when you are tired or ill. Always stay alert, watch what you are doing, and use common sense.
- ◆ Avoid dangerous environments. Never operate the lawn mower in damp or wet grass, never use lawn mower in the rain. Always be sure of your footing, walk, never run.
- ◆ If the lawn mower should start to vibrate abnormally, release the on/off switch, wait for the blade to stop and then check for the cause immediately. Vibration is generally a warning of trouble, see the troubleshooting guide for advise in the case of abnormal vibration.
- ◆ Always wear proper eye and respiratory protection when operating the lawn mower.

- ◆ The use of any accessory or attachment not recommended for use with this lawn mower could be hazardous. Only use accessories approved by BLACK+DECKER.
- ◆ Never overreach while operating the lawn mower. Always be sure to keep proper footing and balance at all times while operating the lawn mower.
- ◆ Mow across the face of slopes, never up and down. Exercise extreme caution when changing direction on slopes.
- ◆ Watch for holes, ruts, bumps, rocks or other hidden objects. Uneven terrain could cause a slip and fall accident. Tall grass can hide obstacles.
- ◆ Do not mow on wet grass or excessively steep slopes. Poor footing could cause a slip and fall accident.
- ◆ Do not mow near drop-offs, ditches, or embankments.
You could lose your footing or balance.
- ◆ Always allow the mower to cool down before storing.

Pull the plug from the socket and pull the battery pack from the machine. Make sure that all moving parts have come to a complete stop:

- ◆ Whenever you leave the machine;
- ◆ Before clearing a blockage;
- ◆ Before checking, cleaning or working on the appliance.

Vibration

The declared vibration emission values stated in the technical data and the declaration of conformity have been

measured in accordance with a standard test method provided by EN50636 and may be used for comparing one tool with another. The declared vibration emission value may also be used in a preliminary assessment of exposure.

Warning! The vibration emission value during actual use of the power tool can differ from the declared value depending on the ways in which the tool is used. The vibration level may increase above the level stated. When assessing vibration exposure to determine safety measures required by 2002/44/EC to protect persons regularly using power tools in employment, an estimation of vibration exposure should consider, the actual conditions of use and the way the tool is used, including taking account of all parts of the operating cycle such as the times when the tool is switched off and when it is running idle in addition to the trigger time.

Do not operate the tool if the vibration registers as abnormal.

Safety of others

- ◆ This appliance is not intended for use by persons (including children) with reduced physical, sensory or mental capabilities, or lack of experience and knowledge, unless they have been given supervision or instruction concerning use of the appliance by a person responsible for their safety.
- ◆ Children must be supervised to ensure that they do not play with the appliance.

- ◆ After striking a foreign object. Inspect the appliance for damage and make repairs as necessary.

Residual risks

Additional residual risks may arise when using the tool which may not be included in the enclosed safety warnings. These risks can arise from misuse, prolonged use etc. Even with the application of the relevant safety regulations and the implementation of safety devices, certain residual risks can not be avoided. These include:

- ◆ Injuries caused by touching any moving parts.
- ◆ Injuries caused by touching any hot parts.
- ◆ Injuries caused when changing any parts or accessories.
- ◆ Injuries caused by prolonged use of the appliance.

When using any appliance for prolonged periods ensure you take regular breaks.

- ◆ Impairment of hearing.
- ◆ Health hazards caused by breathing dust developed when using your tool (example:- working with wood, especially oak, beech and MDF.)
- ◆ If operating the mower in a damp location is unavoidable, use a residual current device (RCD) with a tripping current of not more than 30 mA. Use of an RCD reduces the risk of electric shock.
- ◆ Never pick up or carry an appliance while the motor is running.

Warning symbols

The following warning symbols are found on the appliance along with the date code:



Warning! Read the manual prior to operation.



Do not expose the appliance to rain or high humidity.



Always remove the plug from the socket before inspecting a damaged cable. Be careful not to use your appliance if the cable is damaged.



Beware of sharp blades.



Beware of flying objects. Keep bystanders away from the cutting area.



Keep the cable away from the cutting blades.



The blades will continue to rotate after the machine is switched off.



Directive 2000/14/EC guaranteed sound power.

Electrical safety



Warning! This tool is double insulated; therefore no earth wire is required. Always check that the power supply corresponds to the voltage on the rating plate.

- ◆ If the supply cord is damaged, it must be replaced by the manufacturer or an authorised BLACK+DECKER Service Centre in order to avoid a hazard.
- ◆ Electric safety can be further improved by using a high sensitivity 30 mA Residual Current Device (RCD).

Features

This appliance includes some or all of the following features.

1. Switch box
2. On/off button
3. Start trigger
4. Upper handle
5. Lower handle
6. Grass collection box
7. Motor cover
8. Carry handle

Assembly

Warning! Before assembly, make sure that the appliance is switched off and unplugged.

Assembling the grass collection box (fig. A, B and C)

The grass box requires assembly before use and comes in 3 pieces.

- ◆ Clip the handle (6a) into the lid (6b) of the grass box (fig. B). The handle will only fit one way round.
- ◆ Align the lid (6b) onto the base of grass collection box (6c). Ensure that the guides are aligned (fig. C)

Note: Take extra care when aligning the 2 clips at the rear of the grass collection box.

- ◆ Push down on the lid to secure all clips. Begin at the back and ensure that all clips are securely located.

Fitting the grass collection box (fig. D)

- ◆ Lift the flap (8) and place the grass collection box (6) over the lugs.

Fitting the switchbox (fig. E)

- ◆ Align the plastic pins on the switchbox (1) with the holes on the handle (1b) making sure that the switchbox is on the top edge of the handle.
- ◆ Slide the plastic pins on the switchbox (1) all the way through the holes in the handle.
- ◆ Slide the plastic cover (1b) into the thin runners in the switchbox (1).
- ◆ Secure the plastic cover (1b) with the 2 screws provided

Fitting the lower handle (fig. F)

- ◆ Insert the ends of the lower handles (5) into the corresponding holes in the mower.
- ◆ Press the handle down as far as it will go.
- ◆ Secure the handle using the screws (5a).

Assembling the upper handle (fig. G)

- ◆ Fit the upper handle (4) to the lower handle (5) using the knobs (4a), washers (4c) and screws (4b) as shown.

Note: The upper handle can be fixed in 2 different height positions.

Switching on and off (fig. H)

Switching on

- ◆ Push the on/off button (2).
- ◆ Pull the start trigger (3) towards the handle.

Switching off

- ◆ Release the start trigger (3).

Warning! Never attempt to lock a switch in the on position.

Adjusting the height of cut (fig. I)

Warning! Ensure the blade has completely stopped and disconnect the appliance from the mains.

The height of cut is adjusted by altering the height of all the wheels, there are 3 positions to choose from.

- ◆ Remove the grass collection box (7).
- ◆ Turn the lawnmower upside down.
- ◆ Take hold of a wheel (24) and push/pull the axle from its current location.
- ◆ Move the wheel (24) up/down into the next available location.

Note: Adjust one wheel at a time. Adjust one height position at a time.

Up to edge cutting (fig. J, K)

Up to edge cutting allows you to cut grass right up to the edge of a wall

or fence (fig J).

Up to edge cutting allows you to accurately cut grass right up to the edge of your lawn (fig K).

- ◆ With the lawnmower parallel with the edge of your lawn, push the lawnmower along the edge of the lawn. Ensure that the edge of the mower is slightly over the edge of your lawn (fig.K).

Replacing the blade (fig. L)

Warning! Ensure the blade has completely stopped and disconnect the appliance from the mains.

Warning! Only use the specified replacement blade.

Warning! Use heavy-duty gloves to grip the blade.

To remove the blade:

- ◆ Turn the appliance onto its side.
- ◆ Using heavy-duty gloves, grip the blade.
- ◆ Use a 13 mm spanner to loosen and remove the blade bolt (10) by turning the spanner anti-clockwise.
- ◆ Remove the blade (9) and blade bolt (10).

To replace the blade:

- ◆ Offer the blade up to bolt shaft and locate the blade bolt (10) into the bolt shaft.

Note: When fitting a blade, the text on the blade must be facing the user.

- ◆ Tighten the blade bolt (10) as firmly as possible by hand.
- ◆ Using heavy-duty gloves, grip the blade.
- ◆ Use a 13 mm spanner to securely tighten the blade bolt (10) by turning the spanner clockwise.

Mowing (fig. M1 & M2)

We recommend to use your mower as outlined in this section in order to achieve optimum results and to reduce the risk of cutting the mains cable.

- ◆ Place the bulk of the mains cable on the lawn, close to the starting point (position 1 in fig. M1).
- ◆ Switch the appliance on as described above.
- ◆ Proceed as shown in fig. M1
- ◆ Move from position 1 to position 2.
- ◆ Turn right and proceed towards position 3.
- ◆ Turn left and move towards position 4.
- ◆ Repeat the above procedure as required.

Warning! Do not work towards the cable as shown in fig. N2.

Blade sharpening

Note: The BEMW451 uses the BLACK+DECKER blade (Cat # A6305). Keep blade sharp for best mower performance. A dull blade does not cut grass cleanly. Use proper eye protection while removing, sharpening, and installing blade. Sharpening the blade twice during a mowing season is usually sufficient under normal circumstances.

Sand causes the blade to dull quickly. If your lawn has sandy soil, more frequent sharpening may be required.

Note: Replace bent or damaged blade immediately.

When sharpening the blade:

- ◆ Make sure blade remains balanced.
- ◆ Sharpen blade at the original cutting angle.
- ◆ Sharpen cutting edges on both ends of blade, removing equal amounts of material from both ends.

To sharpen blade in a vice (fig.N)

- ◆ Be sure the blade has stopped and the mower is unplugged before removing the blade.
- ◆ Remove blade from mower. See instructions for removing and installing blade.
- ◆ Secure blade (9) in a vice (11).

- ◆ Wear proper eye protection and gloves and be careful not to cut yourself.
Carefully file the cutting edges of the blade with a fine tooth file (12) or sharpening stone, maintaining the angle of the original cutting edge. Check balance of blade. See instructions for blade balancing.
- ◆ Replace blade on mower and tighten securely.

Blade balancing (fig. O)

Check balance of the blade (9) by placing centre hole in the blade over a nail or round shank screwdriver, clamped horizontally in a vice. If either end of the blade rotates downward, file along the sharp edge of that dropping end. Blade is properly balanced when neither end drops.

Lubrication

No lubrication is necessary. Do not oil the wheels. They have plastic bearing surfaces which require no lubrication.

Cleaning

Turn the mower off and let the blade come to a stop. Use only mild soap and a damp cloth to clean the mower. Clean out any clippings which may have accumulated on the underside of the deck. After several uses, check all exposed fasteners for tightness.

Preventing corrosion

Fertilizers and other garden chemicals contain agents which greatly accelerate the corrosion of metals. If you mow in areas where fertilizers or chemicals have been used, the mower should be cleaned immediately afterward as follows:

Turn the mower off and unplug mower. Wipe all exposed parts with a damp cloth.

Maintenance

Your BLACK+DECKER corded/cordless appliance/tool has been designed to operate over a long period of time with a minimum of maintenance. Continuous satisfactory operation depends upon proper tool/appliance care and regular cleaning.

Warning! Before performing any maintenance on corded/cordless power tools:

- ◆ Switch off and unplug the appliance/tool.
- ◆ Or run the battery down completely if it is integral and then switch off.
- ◆ Unplug the charger before cleaning it. Your charger does not require any maintenance apart from regular cleaning.
- ◆ Regularly clean the ventilation slots in your tool/appliance and charger using a soft brush or dry cloth.
- ◆ Regularly clean the motor housing using a damp cloth. Do not use any abrasive or solvent-based cleaner.
- ◆ Regularly use a blunt scraper to remove grass and dirt from the underneath of the guard.

Troubleshooting

If your appliance seems not to operate properly, follow the instructions below. If this does not solve the problem, please contact your local BLACK+DECKER repair agent.

Warning! Before proceeding, release the bail bar to turn mower off and wait for the blade to stop.

Problem	Possible cause	Possible solution
Machine fails to operate.	Power turned off.	Turn power on.
	Fuse faulty/blown.	Replace fuse.
	Grass too long.	Increase the height of cut and move machine to shorter grass to start.
	Thermal cut out activated.	Allow motor to cool and increase height of cut.
Machine functions intermittently.	Thermal cut out activated.	Allow motor to cool and increase height of cut.
Machine leaves ragged finish or motor labours.	Height of cut too low.	Increase height of cut.
	Cutting blade blunt.	Replace the blade.
	Underside of machine clogged.	Check underneath the machine and clear out as necessary (always wear heavy duty gloves)
	Blade fitted upside down.	Refit blade correctly.

Protecting the environment



Separate collection. Products and batteries marked with this symbol must not be disposed of with normal household waste.

Products and batteries contain materials that can be recovered or recycled, reducing demand for raw materials. Please recycle electrical products and batteries according to local provisions. Further information is available at www.2helpU.com

Technical data

		BEMW451
Voltage	V_{AC}	230
Power input	W	1200
No-Load speed	min^{-1}	3500
Height adjustment	mm	23 - 63
Blade length	mm	320
Weight	Kg	8.33

Hand/arm weighted vibration value:
= 2.5m/s^2 , uncertainty (K) = 1.5m/s^2 .

Sound pressure level at the operator's ear:
 L_{PA} : 78.5dB(A); K= 4.0dB(A)

Sound power level L_{WA} : 93dB(A); K= 3dB(A)

EC declaration of conformity MACHINERY DIRECTIVE OUTDOOR NOISE DIRECTIVE



BEMW451 lawn mower

Black & Decker declares that these products described under "technical data" are in compliance with:
2006/42/EC, EN 60335-1:2012 + A11:2014,
EN 60335-2-77:2010
2000/14/EC, Lawn Mower, L < 50cm, Annex VI,

DEKRA Certification B.V. Meander 1051 / P.O. Box 5185
6825 MJ ARNHEM / 6802 ED ARNHEM Netherlands.
Level of acoustic power according to 2000/14/EC (Article 12, Annex III, L < 50cm):
measured sound power level L_{WA} : 93dB(A); K=3dB(A).
guaranteed sound power level L_{WA} : 96dB(A).

These products also comply with directive 2014/30/EU, 2011/65/EU. For more information, please contact Black & Decker at the following address or refer to the back of the manual.

The undersigned is responsible for compilation of the technical file and makes this declaration on behalf of Black & Decker.

R. Laverick
Director of Engineering
Black & Decker Europe, 210 Bath Road, Slough,
Berkshire, SL1 3YD
United Kingdom
27/10/2017

Guarantee

Black & Decker is confident of the quality of its products and offers consumers a 24 month guarantee from the date of purchase. This guarantee is in addition to and in no way prejudices your statutory rights. The guarantee is valid within the territories of the Member States of the European Union and the European Free Trade Area.

To claim on the guarantee, the claim must be in accordance with Black & Decker Terms and Conditions and you will need to submit proof of purchase to the seller or an authorised repair agent. Terms and conditions of the Black & Decker 2 year guarantee and the location of your nearest authorised repair agent can be obtained on the Internet at www.2helpU.com, or by contacting your local Black & Decker office at the address indicated in this manual.

Please visit our website www.blackanddecker.co.uk to register your new Black & Decker product and receive updates on new products and special offers.

Verwendungszweck

Ihr BLACK+DECKER BEMW451-Rasenmäher wurde zum Rasenmähen entwickelt. Dieses Gerät ist nicht für den gewerblichen Einsatz vorgesehen.

Sicherheitshinweise

Warnung! Beachten Sie beim Umgang mit netzstrombetriebenen Geräten stets die grundlegenden Sicherheitshinweise, die im Folgenden beschrieben werden. Dadurch verhindern Sie Brände, Stromschläge und Personenschäden.

- ◆ Lesen Sie diese Anleitung vollständig und aufmerksam durch, bevor Sie das Gerät zum ersten Mal verwenden.
- ◆ Der vorgesehene Verwendungszweck ist in dieser Anleitung beschrieben. Bei Verwendung von Zubehör oder Anbauteilen, die nicht in dieser Anleitung empfohlen werden, sowie bei der Verwendung des Geräts in Abweichung von den in dieser Anleitung beschriebenen Verfahren besteht Verletzungsgefahr.
- ◆ Bewahren Sie diese Anleitung auf.

Schulung

- ◆ Lesen Sie die Bedienungsanleitung sorgfältig durch.

Machen Sie sich mit den Bedienelementen und dem ordnungsgemäßen Gebrauch des Geräts vertraut.

- ◆ Das Gerät darf nicht von Kindern oder Personen, die die vorliegenden Anleitungen nicht gelesen haben, genutzt werden. Beachten Sie lokale Richtlinien, in denen unter Umständen ein Mindestalter für den Bediener festgelegt ist.
- ◆ Es sollte stets ein Sicherheitsabstand zu anderen Personen, insbesondere Kindern, und Haustieren eingehalten werden.
- ◆ Beachten Sie, dass der Bediener bzw. Benutzer für eventuelle Personen- oder Sachschäden verantwortlich ist.

Zubereitung

- ◆ Tragen Sie stets feste Schuhe und eine lange Hose, wenn Sie mit dem Gerät arbeiten.
- Betreiben Sie dieses Gerät nie barfuß oder in offenen Sandalen.
- Tragen Sie keine lose Kleidung oder Kleidung mit herabhängenden Bändern.
- ◆ Kontrollieren Sie stets den Bereich, in dem das Gerät verwendet werden soll, und entfernen Sie alle Gegenstände, die von dem Gerät umhergeschleudert werden können.
 - ◆ Überzeugen Sie sich vor der Verwendung, dass Mähmesser, Messerschraube und Mäheinheit weder abgenutzt noch beschädigt sind.

Ersetzen Sie bei abgenutzten oder beschädigten Bestandteilen den entsprechenden Satz, sodass nicht neue und alte Komponenten gleichzeitig verwendet werden. Ersetzen Sie beschädigte oder unlesbare Aufkleber.

- ◆ Prüfen Sie vor der Inbetriebnahme Netz- und Verlängerungskabel auf Beschädigungen und Verschleiß.

Trennen Sie das Gerät sofort vom Stromnetz, wenn das Kabel während des Betriebs beschädigt wird. BERÜHREN SIE DAS KABEL NICHT, SOLANGE DER STECKER NOCH IN DER NETZSTECKDOSE STECKT. Verwenden Sie das Gerät nicht, wenn das Kabel beschädigt oder abgenutzt ist.

- ◆ Tragen Sie eine Schutzbrille, wenn Sie mit dem Gerät arbeiten.

Verwenden Sie eine Atemschutz- oder Staubmaske, wenn Sie in einer staubigen Umgebung arbeiten. Wenn der Schallpegel eine unangenehme Stärke erreicht, sollten Sie einen Gehörschutz tragen.

- ◆ Schützen Sie sich vor einem Stromschlag. Vermeiden Sie Körperkontakt mit geerdeten Gegenständen (z. B. Metallgeländern, Laternenpfählen usw.).

Betrieb

- ◆ Betreiben Sie die Maschine nie mit defekten oder fehlenden Schutzvorrichtungen, wie z. B. Deflektoren und/oder Grasfangkorb.

- ◆ Betreiben Sie das Gerät nur bei Tageslicht oder bei ausreichender Beleuchtung.
 - ◆ Schützen Sie das Gerät vor Regen. Betreiben Sie das Gerät nie in feuchter oder nasser Umgebung. Vermeiden Sie es, das Gerät auf feuchtem Rasen zu betreiben.
 - ◆ Achten Sie auf Standfestigkeit, insbesondere bei Arbeiten an Hängen. Achten Sie darauf, dass frisch gemähtes Gras feucht und rutschig sein kann. Arbeiten Sie nie an steilen Hängen.
 - ◆ Schieben Sie das Gerät immer parallel zum Hang, nie den Hang hinauf oder hinunter. Arbeiten Sie mit äußerster Vorsicht, wenn Sie an Hängen die Richtung wechseln.
 - ◆ Mähen Sie nicht an steilen Hängen.
 - ◆ Betreiben Sie das Gerät nur im Gehen, nie im Rennen. Ziehen Sie das Gerät nicht zu sich heran. Gehen Sie mit dem Gerät nie rückwärts.
 - ◆ Schalten Sie das Gerät den Anweisungen entsprechend ein. Achten Sie darauf, dass Ihre Füße einen Sicherheitsabstand zum Messer einhalten.
 - ◆ Starten Sie das Gerät nicht, wenn Sie sich vor der Auswurföffnung befinden.
 - ◆ Kippen Sie das Gerät beim Anschalten nicht, es sei denn, das Gerät muss zum Starten gekippt werden.
- Kippen Sie das Gerät in diesem Fall nicht mehr als nötig.

Heben Sie stets den von Ihnen entfernten Teil des Geräts an.

Bringen Sie beide Hände in die Betriebsposition, bevor Sie das Gerät wieder auf den Boden setzen.

- ◆ Schalten Sie in folgenden Situationen das Gerät stets aus, und warten Sie, bis die Mäheinheit zum Stillstand gekommen ist: wenn das Gerät für den Transport gekippt werden muss, wenn Sie Oberflächen überqueren, die nicht aus Gras bestehen, und wenn Sie das Gerät zu der zu mähenden Fläche und von dort weg transportieren.
- ◆ Warten Sie stets, bis das Messer vollständig zum Stillstand gekommen ist, bevor Sie das Gerät anheben oder tragen.
- ◆ Halten Sie Hände und Füße vom Messer fern.
- ◆ Bringen Sie nie Hände und Füße in die Nähe von rotierenden Geräteteilen oder unter rotierende Geräteteile.
- ◆ Halten Sie jederzeit einen Sicherheitsabstand zu den Auswurföffnungen ein.
- ◆ Schalten Sie das Gerät ab, trennen Sie es von der Stromversorgung, und stellen Sie sicher, dass alle beweglichen Teile zum Stillstand gekommen sind, bevor Sie das Gerät unbeaufsichtigt stehen lassen, reinigen, inspizieren, Geräteteile auswechseln oder eine Blockade entfernen. Nach dem Überfahren eines Fremdkörpers. Kontrollieren Sie das Gerät auf Beschädigungen, bevor sie es wieder in Betrieb nehmen.

- ◆ Wenn das Gerät ungewöhnlich vibriert oder mit einem Fremdkörper in Berührung gekommen ist, schalten Sie das Gerät aus, und trennen Sie es von der Stromversorgung. Kontrollieren Sie das Gerät auf Beschädigungen, ersetzen bzw. reparieren Sie beschädigte Teile, kontrollieren Sie, ob lose Teile vorhanden sind, und ziehen Sie diese ggf. fest.
- ◆ Achten Sie darauf, dass das Stromkabel nicht in die Nähe des Messers gerät. Achten Sie stets auf die Lage des Stromkabels.
- ◆ Der Motor läuft nach dem Abschalten einige Sekunden lang weiter. Versuchen Sie nie, das Messer mit Gewalt zum Stillstand zu bringen.

Wartung und Aufbewahrung

- ◆ Prüfen Sie das Gerät vor der Verwendung auf beschädigte oder defekte Teile. Überprüfen Sie, ob bewegliche Teile falsch ausgerichtet oder falsch angebracht und ob Teile, Schutzvorrichtungen oder Schalter beschädigt sind. Achten Sie auch auf andere Beschädigungen, die den Betrieb des Geräts beeinträchtigen können. Stellen Sie sicher, dass das Gerät ordnungsgemäß funktioniert. Betreiben Sie das Gerät nie, wenn Schutzvorrichtungen oder Abdeckungen beschädigt oder nicht vorhanden sind. Betreiben Sie das Gerät nicht, wenn Teile beschädigt oder defekt sind.

Betreiben Sie das Gerät nicht, wenn der Schalter zum Ein- und Ausschalten nicht funktioniert.

Lassen Sie beschädigte oder defekte Teile in einer Vertragswerkstatt reparieren oder austauschen.

- ◆ Überprüfen Sie das Kabel regelmäßig auf Beschädigungen. Wenn das Kabel beschädigt ist, muss es in einer Vertragswerkstatt repariert oder ausgetauscht werden. Es können sonst Unfälle verursacht werden. Überprüfen Sie Verlängerungskabel regelmäßig auf Beschädigungen. Ersetzen Sie ein beschädigtes Verlängerungskabel umgehend.
- ◆ Ziehen Sie alle Muttern, Bolzen und Schrauben am Gerät fest, damit das Gerät sicher arbeitet.
- ◆ Überprüfen Sie den Grasfangbehälter regelmäßig auf Abnutzung oder Beschädigungen, und ersetzen Sie ihn gegebenenfalls. Betreiben Sie das Gerät nie ohne den Grasfangbehälter.
- ◆ Gehen Sie bei Einstellungen am Gerät vorsichtig vor, um zu verhindern, dass Ihre Finger zwischen den Messern und feststehenden Teilen des Geräts eingeklemmt werden.
- ◆ Beachten Sie bei Wartungsarbeiten an den Messern, dass sich diese auch ohne Stromversorgung bewegen.
- ◆ Bewahren Sie das Gerät bei Nichtgebrauch an einem trockenen Ort auf. Kinder sollten keinen Zugang zu aufbewahrten Geräten haben.
- ◆ Lassen Sie das Gerät vor der Lagerung stets abkühlen.

- ◆ Stellen Sie sicher, dass Ersatzmesser dem benötigten Typ entsprechen.
- ◆ Verwenden Sie nur von BLACK+DECKER empfohlene Ersatz- und Zubehörteile.

Zusätzliche Sicherheitshinweise für Rasenmäher

- ◆ Verwenden Sie ausschließlich geprüfte Verlängerungskabel, die für die Leistungsaufnahme dieses Geräts ausgelegt sind (siehe „Technische Daten“). Das Verlängerungskabel muss für die Verwendung im Außenbereich geeignet und entsprechend gekennzeichnet sein. Es kann ein 1.5 mm²-HO5VV-F-Verlängerungskabel mit einer Länge von bis zu 30 m verwendet werden, ohne dass die Leistung des Geräts beeinträchtigt wird. Prüfen Sie vor der Inbetriebnahme das Netzkabel auf Verschleiß und Beschädigungen. Wechseln Sie beschädigte oder fehlerhafte Verlängerungskabel aus. Wenn Sie eine Kabeltrommel verwenden, wickeln Sie das Kabel vollständig ab.
- ◆ Transportieren Sie die Maschine nicht, während die Stromversorgung läuft.
- ◆ Halten Sie den Rasenmäher während des Betriebs sicher mit beiden Händen fest.
- ◆ Halten Sie beide Hände in der Betriebsposition, wenn der Rasenmäher gekippt werden muss.

Halten Sie beide Hände in der Betriebsposition bis der Rasenmäher wieder ordnungsgemäß auf dem Boden abgestellt wurde.

- ◆ Tragen Sie beim Rasenmähen keine Kopfhörer zum Musikhören.
- ◆ Passen Sie niemals die Höhe der Räder an, während der Motor läuft oder sich der Sicherheitsschlüssel im Schloss befindet.
- ◆ Lassen Sie den Bügelschalter los, um den Rasenmäher auszuschalten, wenn dieser blockiert. Warten Sie, bis das Messer zum Stillstand gekommen ist, bevor Sie versuchen, die Verstopfung zu beseitigen oder Gegenstände von der Unterseite zu entfernen.
- ◆ Halten Sie Hände und Füße vom Schnittbereich fern.
- ◆ Halten Sie die Sägeblätter scharf. Tragen Sie beim Umgang mit dem Messer des Rasenmähers stets Schutzhandschuhe.
- ◆ Wenn der Grasfangbehälter verwendet wird, muss dieser regelmäßig auf Abnutzungen und Beschädigungen überprüft werden. Wechseln Sie aus Sicherheitsgründen den Grasfangbehälter bei starker Abnutzung aus.
- ◆ Seien Sie besonders vorsichtig, wenn Sie den Rasenmäher wenden oder in Ihre Richtung ziehen.
- ◆ Bringen Sie Hände oder Füße nicht in die Nähe bzw. unter den Rasenmäher. Halten Sie jederzeit einen Sicherheitsabstand zur Auswurföffnung.
- ◆ Entfernen Sie Steine, Äste, Drähte, Spielzeuge, Knochen usw., die in das Messer geraten könnten, aus dem Bereich, in dem der Rasenmäher verwendet wird. Objekte, die in das Messer geraten, können ernsthafte Verletzungen verursachen. Bleiben Sie hinter dem Griff, wenn der Motor läuft.
- ◆ Betreiben Sie den Rasenmäher weder barfuß noch mit Sandalen. Tragen Sie jederzeit festes Schuhwerk.
- ◆ Ziehen Sie den nur Rasenmäher nur rückwärts, wenn dies unbedingt erforderlich ist. Achten Sie stets auf den Boden und den Bereich hinter Ihnen, bevor und während Sie sich rückwärts bewegen.
- ◆ Achten Sie darauf, dass das Material nicht in Richtung von Personen ausgeworfen wird. Achten Sie darauf, dass das Material nicht in Richtung von Wänden oder anderen Gegenständen ausgeworfen wird. Das Material kann gegen den Bediener zurückgeschleudert werden. Lassen Sie den Startgriff los, und warten Sie, bis das Messer zum Stillstand gekommen ist, bevor Sie Kiesoberflächen überqueren.
- ◆ Betreiben Sie den Rasenmäher nicht ohne angebrachten und intakten Grasfangbehälter, Auswurfschutz, hinteren Schutz und andere Schutzvorrichtungen. Überprüfen Sie regelmäßig alle Schutz- und Sicherheitsvorrichtungen auf deren ordnungsgemäße Funktion.

- Ersetzen Sie beschädigte Schutz- und Sicherheitsvorrichtungen vor der weiteren Verwendung.
- ◆ Lassen Sie den eingeschalteten Rasenmäher niemals unbeaufsichtigt.
 - ◆ Lassen Sie stets den Bügelgriff los, warten Sie, bis das Messer zum Stillstand gekommen ist, wenn Sie den Rasenmäher reinigen, den Grasfangbeutel entfernen, Verstopfungen aus der Auswurföffnung beseitigen, den Rasenmäher unbeaufsichtigt lassen bzw. Anpassungen vornehmen oder Reparaturen und Inspektionen ausführen.
 - ◆ Betreiben Sie den Rasenmäher nur bei Tageslicht oder bei ausreichender Beleuchtung, sodass Gegenstände auf dem Schnittpfad vom Betriebsbereich des Rasenmähers aus deutlich sichtbar sind.
 - ◆ Betätigen Sie den Rasenmäher nicht, wenn Sie unter Alkohol- oder Drogeneinfluss stehen oder wenn Sie müde oder krank sind. Bleiben Sie immer aufmerksam, achten Sie darauf, was sie tun und setzen Sie den gesunden Menschenverstand ein.
 - ◆ Meiden Sie gefährliche Umgebungen. Betreiben Sie den Rasenmäher nicht in feuchtem oder nassem Gras. Verwenden Sie den Rasenmäher keinesfalls im Regen. Achten Sie auf Trittsicherheit. Betreiben Sie das Gerät nur im Gehen, nie rennend.
 - ◆ Lassen Sie den Ein-/Ausshalter los, warten Sie, bis das Messer zum Stillstand gekommen ist, wenn Sie ungewöhnliche Vibrationen des Rasenmähers bemerken, und prüfen Sie die Ursache. Im Allgemeinen deutet Vibration auf ein Problem hin. Im Fall einer ungewöhnlichen Vibration des Geräts finden Sie unter „Problembeseitigung“ weitere Informationen.
 - ◆ Tragen Sie beim Betreiben des Rasenmähers stets geeigneten Augen- und Atemschutz.
 - ◆ Der Gebrauch von Zubehörteilen oder Zusätzen, die nicht für den Gebrauch mit dem Rasenmäher empfohlen werden, kann gefährlich sein. Verwenden Sie nur von BLACK+DECKER genehmigtes Zubehör.
 - ◆ Beugen Sie sich nicht zu weit nach vorne, wenn Sie den Rasenmäher betreiben. Achten Sie während des Betriebs des Rasenmähers stets auf Ihre Standfestigkeit und Ihr Gleichgewicht.
 - ◆ Mähen Sie immer parallel zum Hang, nie den Hang hinauf oder hinunter. Arbeiten Sie mit äußerster Vorsicht, wenn Sie an Hängen die Richtung wechseln.
 - ◆ Achten Sie auf Löcher, Wurzeln, Bodenunebenheiten, Steine und andere verborgene Objekte. Unebenes Gelände kann zu Unfällen durch Stürze führen. Hohes Gras kann Hindernisse verbergen.

- ◆ Mähen Sie nie nasses Gras. Mähen Sie nicht an steilen Hängen. Mangelnde Standfestigkeit kann zu Unfällen durch Stürze führen.
- ◆ Mähen Sie nicht in der Nähe von Abhängen, Gräben oder Böschungen. Es besteht die Gefahr, dass Sie ausrutschen oder das Gleichgewicht verlieren.
- ◆ Lassen Sie den Rasenmäher vor der Lagerung stets abkühlen.

Ziehen Sie den Stecker aus der Steckdose und ziehen Sie den Akku aus dem Gerät heraus. Achten Sie darauf, dass alle beweglichen Teile zum Stillstand gekommen sind:

- ◆ Wann immer Sie die Maschine verlassen;
- ◆ Bevor Blockaden entfernt werden;
- ◆ Vor dem Überprüfen, Reinigen oder Warten des Geräts.

Vibration

Die in den Abschnitten „Technische Daten“ und „EU-Konformitätserklärung“ angegebenen Werte für die Vibrationsemission wurden mit einer Standard-Prüfmethode nach EN50636 ermittelt und können zum Vergleich verschiedener Geräte herangezogen werden. Außerdem kann mit Hilfe dieses Werts die Belastung bei Verwendung des Geräts schon im Voraus eingeschätzt werden.

Warnung! Die bei Verwendung des Geräts auftretende Vibrationsemission hängt von der Art des Gerätegebrauchs ab und kann dementsprechend von

dem angegebenen Wert abweichen. Gegebenenfalls kann die Vibration über dem angegebenen Wert liegen. Für die Ermittlung der Vibrationsbelastung müssen die tatsächlichen Einsatzbedingungen und Verwendungen des Geräts während des gesamten Arbeitsgangs berücksichtigt werden, einschließlich der Zeiten, wenn das Gerät nicht verwendet oder im Leerlauf betrieben wird. Diese Werte werden benötigt, um die gemäß 2002/44/EG erforderlichen Sicherheitsmaßnahmen zum Schutz von Personen festlegen zu können.

Betreiben Sie das Gerät nicht, wenn die Vibrationen als ungewöhnlich wahrgenommen werden.

Sicherheit anderer Personen

- ◆ Dieses Gerät darf nicht von Personen (einschließlich Kindern) mit eingeschränkten physischen, sensorischen oder mentalen Fähigkeiten oder ohne ausreichende Erfahrung oder Kenntnisse verwendet werden, außer wenn diese Personen von einer Person, die für ihre Sicherheit verantwortlich ist, bei der Verwendung des Geräts beaufsichtigt oder mit ihm vertraut gemacht werden.
- ◆ Kinder müssen beaufsichtigt werden, um sicherzustellen, dass sie nicht mit dem Gerät spielen.
- ◆ Nach dem Überfahren eines Fremdkörpers. Überprüfen Sie das Gerät auf Beschädigungen und führen Sie ggf. Reparaturen durch.

Restrisiken

Beim Gebrauch dieses Geräts verbleiben zusätzliche Restrisiken, die möglicherweise nicht in den Sicherheitswarnungen genannt werden.

Diese

Risiken bestehen beispielsweise bei Missbrauch oder längerem Gebrauch. Auch bei der Einhaltung der entsprechenden Sicherheitsvorschriften und der Verwendung aller Sicherheitsgeräte bestehen weiterhin bestimmte Restrisiken. Diese sind:

- ◆ Verletzungen, die durch das Berühren von sich bewegenden Teilen verursacht werden.
- ◆ Verletzungen, die durch das Berühren von erhitzten Teilen verursacht werden.
- ◆ Verletzungen, die durch das Austauschen von Teilen oder Zubehör verursacht werden.
- ◆ Verletzungen, die durch längeren Gebrauch des Geräts verursacht werden.

Legen Sie bei längerem Gebrauch regelmäßige Pausen ein.

- ◆ Schwerhörigkeit.
- ◆ Gesundheitsrisiken durch das Einatmen von Staub beim Gebrauch des Geräts (beispielsweise bei Holzarbeiten, insbesondere Eiche, Buche und Pressspan)
- ◆ Wenn der Mäher an einem feuchten Ort betrieben wird, sollte ein Fehlerstromschutzschalter (RCD) mit einem Auslösestrom von nicht mehr als 30 mA verwendet werden.

Ein Fehlerstromschutzschalter verringert das Risiko eines elektrischen Schlags.

- ◆ Nehmen Sie niemals ein Gerät auf, während der Motor läuft.

Warnsymbole

Die folgenden Warnsymbole sind am Gerät inkl. Datumscode angebracht:



Warnung! Lesen Sie vor Inbetriebnahme die Bedienungsanleitung.



Schützen Sie das Gerät vor Feuchtigkeit und Regen.



Ziehen Sie stets den Stecker aus der Netzsteckdose, bevor Sie das Kabel auf Schäden überprüfen. Verwenden Sie das Gerät auf keinen Fall, wenn das Kabel beschädigt ist.



Vorsicht: Die Messer sind scharf.



Achten Sie auf Gegenstände, die eventuell umhergeschleudert werden. Halten Sie andere Personen von der Schneidzone fern.



Achten Sie darauf, dass das Stromkabel nicht in die Nähe des Mähmessers gerät.



Das Messer dreht sich auch nach dem Ausschalten des Geräts weiter.



Garantierter Schalldruckpegel, gemessen nach Richtlinie 2000/14/EG.

Elektrische Sicherheit



Warnung! Dieses Gerät ist schutzisoliert, daher ist keine Erdleitung erforderlich. Überprüfen Sie immer, dass die Stromversorgung der Spannung auf dem Typenschild entspricht.

- ◆ Bei einer Beschädigung des Netzkabels muss dieses durch den Hersteller oder eine BLACK+DECKER Vertragswerkstatt ausgetauscht werden, um mögliche Gefahren zu vermeiden.
- ◆ Die elektrische Sicherheit lässt sich durch Verwendung eines Fehlerstromschutzschalters (30 mA) erhöhen.

Merkmale

Dieses Gerät verfügt über einige oder alle der folgenden Merkmale:

1. Schaltkasten
2. Ein-Aus-Taste
3. Startauslöser
4. Griffoberteil
5. Griffunterteil
6. Grasfangbehälter
7. Motorabdeckung
8. Transportgriff

Montage

Warnung! Vergewissern Sie sich vor der Montage, dass das Gerät ausgeschaltet ist und der Netzstecker gezogen wurde.

Montage des Grasfangbehälters (Abb. A, B und C)

Der Grasfangbehälter muss vor der Verwendung aus drei Einzelteilen zusammengesetzt werden.

- ◆ Befestigen Sie den Griff (6a) am Deckel (6b) des Grasfangbehälters (Abb. B). Der Griff passt nur in einer Ausrichtung.
- ◆ Richten Sie den Deckel (6b) am Boden des Grasfangbehälters (6c) aus. Stellen Sie sicher, dass die Führungen entsprechend ausgerichtet sind (Abb. C).

Hinweis: Achten Sie besonders auf die Ausrichtung der beiden Klammern auf der Rückseite des Grasfangbehälters.

- ◆ Drücken Sie den Deckel nach unten, sodass alle Klammern einrasten. Beginnen Sie an der Rückseite, und überprüfen Sie, ob alle Klammern eingerastet sind.

Anbringen des Grasfangbehälters (Abb. D)

- ◆ Heben Sie die Klappe (8) an und stecken Sie den Grasfangbehälter (6) in die Haltevorrichtung.

Anbringen des Schaltkastens (Abb. E)

- ◆ Setzen Sie den Schaltkasten (1) so auf den oberen Rand des Griffs, dass die Plastikstifte über den Löchern des Griffs (1b) liegen.
- ◆ Schieben Sie die Plastikstifte des Schaltkastens (1) vollständig in die Löcher des Griffs hinein.
- ◆ Schieben Sie den Kunststoffdeckel (1b) in die Führungsschienen des Schaltkastens (1).
- ◆ Befestigen Sie den Kunststoffdeckel (1b) mit den beiden mitgelieferten Schrauben.

Anbringen des Griffunterteils (Abb. F)

- ◆ Setzen Sie die Enden der unteren Handgriffe (5) in die entsprechenden Aussparungen am Gerät ein.
- ◆ Drücken Sie den Handgriff so weit wie möglich nach unten.
- ◆ Befestigen Sie den Handgriff mit den Schrauben (5a).

Montage des Griffoberteils (Abb. G)

- ◆ Setzen Sie den oberen (4) und den unteren Teil (5) des Handgriffs zusammen, indem Sie die Verriegelungsknöpfe (4a), die Unterlegscheiben (4c) und die Schrauben (4b) wie abgebildet verwenden.

Hinweis: Das Griffoberteil kann in zwei unterschiedlichen Höhen positioniert werden.

Ein- und Ausschalten (Abb. H)

Einschalten

- ◆ Drücken Sie den Ein-/Ausschalter (2).
- ◆ Ziehen Sie den Startauslöser (3) zum Griff.

Ausschalten

- ◆ Lassen Sie den Startauslöser (3) los.
- Warnung!** Versuchen Sie niemals, einen Schalter in seiner Einschaltstellung zu arretieren.

Einstellen der Schnitthöhe (Abb. I)

Warnung! Trennen Sie zunächst das Gerät von der Stromversorgung, und warten Sie, bis das Messer vollständig zum Stillstand gekommen ist.

Die Schnitthöhe wird eingestellt, indem die Höhe aller Räder geändert wird. Es stehen drei Positionen zur Auswahl.

- ◆ Entfernen Sie den Grasfangbehälter (7).
- ◆ Drehen Sie den Rasenmäher mit der Unterseite nach oben.
- ◆ Halten Sie ein Rad (24) fest und ziehen oder drücken Sie die Achse aus der derzeitigen Position heraus.
- ◆ Bewegen Sie das Rad (24) nach oben oder nach unten in die nächstmögliche Position.

Hinweis: Verstellen Sie immer nur ein Rad nach dem anderen. Verändern Sie immer nur eine Höheneinstellung nach der andern.

Umbau für den Kantenmodus (Abb. J, K)

Mithilfe des Kantenmodus können Sie Gras bis direkt an die Kante einer Mauer oder eines Zaunes mähen (Abb. J).

Der Kantenmodus ermöglicht es, das Gras genau bis an die Rasenkante zu mähen (Abb. K).

- ◆ Stellen Sie den Rasenmäher parallel zur Rasenkante und schieben Sie ihn daran entlang. Achten Sie dabei darauf, dass die Kante des Rasenmähers ein wenig über die Rasenkante hinausragt (Abb. K)

Auswechseln des Messers (Abb. L)

Warnung! Trennen Sie zunächst das Gerät von der Stromversorgung, und warten Sie, bis das Messer vollständig zum Stillstand gekommen ist.

Warnung! Verwenden Sie ausschließlich das angegebene Ersatzmesser.

Warnung! Tragen Sie feste Schutzhandschuhe, wenn Sie das Messer anfassen.

Entfernen des Messers:

- ◆ Legen Sie das Gerät auf die Seite.
- ◆ Greifen Sie das Messer mithilfe fester Schutzhandschuhe.
- ◆ Lösen und entfernen Sie den Klingenbolzen (10) mit einem 13 mm-Schraubenschlüssel, indem Sie den Schraubenschlüssel gegen den Uhrzeigersinn drehen.
- ◆ Entfernen Sie die Klinge (9) und den Klingenbolzen (10).

Austauschen des Messers:

- ◆ Halten Sie die Klinge über den Bolzeneinsatz, und setzen Sie den Klingenbolzen (10) in den Bolzenschaft.

Hinweis: Beim Einsetzen des Messers muss der darauf abgedruckte Text nach oben (zu Ihnen) zeigen.

- ◆ Ziehen Sie den Klingenbolzen (10) von Hand so fest wie möglich an.
- ◆ Greifen Sie das Messer mithilfe fester Schutzhandschuhe.
- ◆ Ziehen Sie den Klingenbolzen (10) mit einem 13 mm-Schraubenschlüssel sicher fest, indem Sie den Schraubenschlüssel im Uhrzeigersinn drehen.

Rasenmähen (Abb. M1 und M2)

Es empfiehlt sich, den Rasenmäher so zu verwenden, wie es in diesem Abschnitt beschrieben wird, um optimale Resultate zu erzielen und die Gefahr durchtrennter Stromkabel zu verringern.

- ◆ Platzieren Sie den größten Teil des Stromkabels auf dem Rasen in der Nähe der Startposition (Position 1 in Abb. M1).
- ◆ Schalten Sie das Gerät ein wie oben beschrieben.
- ◆ Gehen Sie wie in Abb. M1 dargestellt vor.
- ◆ Bewegen Sie sich von Position 1 zu Position 2.
- ◆ Wenden Sie sich nach rechts, und bewegen Sie sich in Richtung Position 3.
- ◆ Wenden Sie sich nach links, und bewegen Sie sich in Richtung Position 4.
- ◆ Wiederholen Sie diesen Vorgang nach Bedarf.

Warnung! Gehen Sie nie in Richtung des Kabels, wie in Abb. N2 dargestellt.

Schärfen des Messers

Hinweis: Für das Modell BEMW451 wird das BLACK+DECKER Messer benötigt (Kat.-Nr. A6305). Halten Sie das Messer scharf, um stets eine optimale Leistung des Rasenmähers zu erzielen. Mit einem stumpfen Messer kann weder ordnungsgemäß gemäht werden. Verwenden Sie beim Entfernen, Schärfen und Anbringen des Messers einen geeigneten Augenschutz. In der Regel ist es ausreichend, das Messer während der Mähseason zweimal zu schärfen.

Sand führt dazu, dass das Messer rasch stumpf wird. Wenn Ihr Rasen einen sandigen Untergrund aufweist, muss das Messer möglicherweise häufiger geschärft werden.

Hinweis: Ersetzen Sie das verbogene oder beschädigte Messer umgehend.

Beim Schärfen des Messers:

- ◆ Stellen Sie sicher, dass das Messer ausbalanciert bleibt.
- ◆ Schärfen Sie das Messer im ursprünglichen Schnittwinkel.
- ◆ Schärfen Sie beide Enden des Messers, und entfernen Sie an beiden Enden die gleiche Menge Material.

So schärfen Sie ein Messer in einem Schraubstock (Abb. N)

- ◆ Stellen Sie vor dem Entfernen des Messers sicher, dass das Messer gestoppt hat und der Netzstecker gezogen wurde.
- ◆ Entfernen Sie das Messer vom Rasenmäher. Siehe die Anweisungen zum Entfernen und Installieren des Messers.
- ◆ Sichern Sie das Messer (9) in einem Schraubstock (11).
- ◆ Tragen Sie einen ordnungsgemäßen Augenschutz und Handschuhe und achten Sie darauf, sich nicht selbst zu schneiden.

Schärfen Sie die Schneiden des Messers vorsichtig mit einer feinen Feile (12) oder einem Schleifstein. Behalten Sie den ursprünglichen Schnittwinkel bei. Prüfen Sie die Ausbalancierung des Messers. Siehe die Anweisungen zur Messerausbalancierung.

- ◆ Ersetzen Sie das Messer am Rasenmäher und ziehen Sie es sicher fest.

Ausbalancieren des Messers (Abb. O)

Prüfen Sie die Balance des Messers (9), indem Sie das Mittelloch des Messers auf einem Nagel oder einem horizontal in einer Zwinge befestigten Schraubendreher positionieren. Wenn sich ein Ende des Messers nach unten dreht, feilen Sie entlang der scharfen Kante des nach unten fallenden Endes. Das Messer ist ordnungsgemäß ausbalanciert, wenn kein Ende sinkt.

Schmierung

Schmieren ist nicht erforderlich. Ölen Sie die Räder nicht. Die Räder verfügen über Kunststofflager, die nicht geschmiert werden müssen.

Reinigung

Schalten Sie den Rasenmäher aus und warten Sie dann, bis das Messer zum Stillstand gekommen ist. Reinigen Sie den Rasenmäher ausschließlich mit milder Seifenlösung und einem angefeuchteten Tuch. Verwenden Sie ein stumpfes Werkzeug, um geschnittenes Gras von der Unterseite des Rasenmähers zu reinigen. Überprüfen Sie nach mehrmaligem Gebrauch, ob alle Befestigungen fest angezogen sind.

Verhindern von Rost

Düngemittel und andere in Gärten verwendete Chemikalien enthalten Stoffe, die das Rosten von Metallen stark beschleunigen. Wenn Sie Flächen mähen, auf denen Düngemittel oder Chemikalien verwendet wurden, sollten Sie den Rasenmäher nach dem Gebrauch unmittelbar wie folgt reinigen:

Schalten Sie den Rasenmäher aus und ziehen Sie den Netzstecker. Wischen Sie alle offenliegenden Teile mit einem feuchten Tuch ab.

Wartung

Ihr BLACK+DECKER Gerät (mit und ohne Netzkabel) wurde im Hinblick auf eine lange Lebensdauer und einen möglichst geringen Wartungsaufwand entwickelt. Ein dauerhafter, einwandfreier Betrieb setzt eine regelmäßige Pflege und Reinigung voraus.

Warnung! Vor dem Ausführen jeglicher Wartungsarbeiten an Geräten mit und ohne Netzkabel:

- ◆ Schalten Sie das Gerät aus und ziehen Sie den Netzstecker.
- ◆ Wenn der Akku integriert ist, entladen Sie diesen vor dem Abschalten vollständig.
- ◆ Ziehen Sie das Ladegerät aus der Netzsteckdose, bevor Sie es reinigen. Das Ladegerät benötigt keine Wartung, es sollte jedoch regelmäßig gereinigt werden.

- ◆ Reinigen Sie regelmäßig die Lüftungsschlitze des Geräts und des Ladegeräts mit einer weichen Bürste oder einem trockenen Tuch.
- ◆ Reinigen Sie das Motorgehäuse regelmäßig mit einem feuchten Tuch. Verwenden Sie keine scheuernden Reinigungsmittel oder Reinigungsmittel auf Lösungsmittelbasis.
- ◆ Entfernen Sie mit einem stumpfen Schaber regelmäßig Gras und Erde von der Unterseite der Schutzvorrichtung.

Fehlerbehebung

Wenn das Gerät nicht richtig zu funktionieren scheint, befolgen Sie die nachfolgenden Hinweise. Sollte sich das Problem nicht beheben lassen, wenden Sie sich an eine BLACK+DECKER Vertragswerkstatt in Ihrer Nähe.

Warnung! Lassen Sie erst den Bügelschalter los, um den Rasenmäher auszuschalten. Warten Sie dann, bis das Messer zum Stillstand gekommen ist.

Problem	Mögliche Ursache	Mögliche Lösung
Das Gerät funktioniert nicht.	Das Gerät ist ausgeschaltet.	Schalten Sie das Gerät ein.
	Defekte oder ausgelöste Sicherung.	Ersetzen Sie die Sicherung.
	Das Gras ist zu lang.	Erhöhen Sie die Schnitthöhe, und starten Sie den Mäher auf kürzerem Gras.
	Die Thermosticheuerung wurde aktiviert.	Lassen Sie den Motor abkühlen und erhöhen Sie die Schnitthöhe.
Das Gerät funktioniert nur mit Unterbrechungen.	Die Thermosticheuerung wurde aktiviert.	Lassen Sie den Motor abkühlen und erhöhen Sie die Schnitthöhe.
Der Mäher hinterlässt ein ungleichmäßiges Schnittbild, oder der Motor ist überlastet.	Schnitthöhe zu niedrig.	Erhöhen Sie die Schnitthöhe.
	Das Messer ist stumpf.	Tauschen Sie das Messer aus.
	Starke Verschmutzungen auf der Unterseite des Mähers.	Kontrollieren Sie die Unterseite des Rasenmähers und reinigen Sie sie gegebenenfalls. Tragen Sie dabei stets feste Schutzhandschuhe.
	Das Messer wurde mit der Oberseite nach unten eingesetzt.	Setzen Sie das Messer korrekt ein.

Umweltschutz



Getrennte Entsorgung. Produkte und Akkus mit diesem Symbol dürfen nicht mit dem normalen Hausmüll entsorgt werden.

Produkte und Akkus enthalten Materialien, die wiederverwertet werden können, um den Bedarf an Rohstoffen zu verringern. Bitte recyceln Sie elektrische Produkte und Akkus gemäß den örtlichen Bestimmungen. Weitere Informationen finden Sie auf www.2helpU.com

Technische Daten

		BEMW451
Spannung	V_{AC}	230
Leistungsaufnahme	W	1200
Leertlaufdrehzahl	min^{-1}	3500
Höheneinstellung	mm	23 - 63
Messerlänge	mm	320
Gewicht	kg	8.33

Gewichteter Hand-Arm-Vibrationswert:
= $2,5\text{m/s}^2$; Unsicherheitsfaktor (K) = $1,5\text{m/s}^2$.

Schalldruckpegel am Ohr des Bedieners:
 L_{PA} : 78.5dB(A); K= 4.0dB(A)

Schalleistungspegel L_{WA} : 93dB(A); K= 3dB(A)

EU-Konformitätserklärung MASCHINENRICHTLINIE AUSSENLAUTSTÄRKERICHTLINIE



BEMW451 Rasenmäher

Black & Decker erklärt, dass die in den technischen Daten beschriebenen Geräte übereinstimmen mit:
2006/42/EC, EN 60335-1:2012 + A11:2014, EN 60335-2-77:2010

2000/14/EG, Rasenmäher, L < 50 cm, Annex VI,

DEKRA Certification B.V. Meander 1051 / P.O. Box 5185
6825 MJ ARNHEM / 6802 ED ARNHEM, Niederlande.
Schallpegel gemäß 2000/14/EG (Artikel 12, Anhang III, L < 50cm):

Gemessener Schalleistungspegel L_{WA} : 93dB(A); K=3dB(A).
Garantierter Schalleistungspegel L_{WA} : 96dB(A).

Diese Produkte entsprechen außerdem den Richtlinien 2014/30/EU, 2011/65/EU. Weitere Informationen erhalten Sie von Black & Decker unter der folgenden Adresse. Diese befindet sich auch auf der Rückseite dieser Anleitung.

Der Unterzeichnete ist verantwortlich für die Zusammenstellung der technischen Daten und gibt diese Erklärung im Namen von Black & Decker ab.

R. Laverick
Director of Engineering
Black & Decker Europe, 210 Bath Road, Slough,
Berkshire, SL1 3YD
Vereinigtes Königreich
27.10.2017

Garantie

Black & Decker vertraut auf die Qualität der eigenen Geräte und bietet dem Käufer eine außergewöhnliche Garantie von 24 Monaten ab Kaufdatum. Diese Garantie versteht sich unbeschadet der gesetzlichen Gewährleistungsansprüche und schränkt diese keinesfalls ein. Diese Garantie gilt innerhalb der Staatsgebiete der Mitgliedstaaten der Europäischen Union und der Europäischen Freihandelszone.

Zur Inanspruchnahme dieser Garantie muss sie den allgemeinen Geschäftsbedingungen von Black & Decker entsprechen und dem Verkäufer bzw. der Vertragswerkstatt ist ein Kaufnachweis vorzulegen. Die Bedingungen für die 2-jährige Garantie von Black & Decker und den Standort Ihrer nächstgelegenen Vertragswerkstatt finden Sie im Internet unter www.2helpU.com oder indem Sie sich an die lokale Black & Decker-Niederlassung wenden, deren Adresse Sie in dieser Anleitung finden.

Ihr neues Black & Decker Produkt können Sie auf unserer Website unter www.blackanddecker.de registrieren. Dort erhalten Sie auch Informationen über neue Produkte und Sonderangebote.

Utilisation prévue

Votre tondeuse BLACK+DECKER BEMW451 a été conçue pour tondre l'herbe. Cet appareil est exclusivement destiné à un usage domestique.

Consignes de sécurité

Avertissement ! De simples précautions sont à prendre pour l'utilisation d'appareils branchés au secteur. Les conseils suivants doivent toujours être respectés, ceci afin de réduire le risque d'incendie, les chocs électriques et les blessures personnelles.

- ◆ Lisez attentivement l'intégralité de ce manuel avant d'utiliser l'appareil.
- ◆ Ce manuel décrit la manière d'utiliser l'appareil. L'utilisation d'un accessoire ou d'un équipement ou l'utilisation de cet appareil à d'autres fins que celles recommandées dans ce manuel d'utilisation peut présenter un risque de blessures.
- ◆ Conservez ce manuel pour pouvoir vous y référer dans le futur.

Apprentissage

- ◆ Lisez attentivement ces instructions. Familiarisez-vous avec les commandes et la manière appropriée d'utiliser l'appareil.
- ◆ Ne laissez jamais les enfants ou toute autre personne ne connaissant pas ces instructions, utiliser la machine. Certaines réglementations locales mentionnent un âge limite de l'utilisateur.
- ◆ Ne faites jamais fonctionner la machine si des personnes, et particulièrement des enfants, ou des animaux sont à proximité.

- ◆ L'utilisateur est tenu pour responsable des accidents ou des situations dangereuses survenant sur autrui ou sur leurs biens.

Préparation

- ◆ Portez toujours des chaussures renforcées et des pantalons longs pour tondre. La machine ne doit pas être utilisée si vous portez des sandales ou si vous êtes pieds nus. Évitez de porter des vêtements amples ou avec des cordons ou encore une cravate.
- ◆ Vérifiez toujours soigneusement la zone où la machine doit être utilisée et retirez tous les éléments qui risqueraient d'être projetés par machine.
- ◆ Avant l'utilisation, inspectez toujours visuellement l'absence d'usure et de dommage sur la lame, le boulon de la lame et l'ensemble de la lame de coupe. Remplacez les composants usés ou endommagés afin de maintenir un équilibre. Remplacez les étiquettes endommagées ou illisibles.
- ◆ Avant l'utilisation, vérifiez l'état du fil électrique et de la rallonge (dommages ou vieillissement). Si un câble est endommagé pendant l'utilisation, débranchez immédiatement l'appareil. **NE TOUCHEZ PAS LE CÂBLE AVANT QU'IL SOIT DÉBRANCHÉ DU SECTEUR.** N'utilisez pas la machine si le câble est endommagé ou défectueux.
- ◆ Portez des lunettes de sécurité lorsque vous utilisez cet outil.

Utilisez un masque anti-poussière si l'environnement est poussiéreux. Portez des protections auditives si le niveau sonore semble trop élevé.

- ◆ Protégez-vous contre les chocs électriques. Évitez de toucher des surfaces reliées à la terre (par exemple, les grillages métalliques, les lampadaires, etc.).

Fonctionnement

- ◆ N'utilisez jamais l'appareil avec des protections défectueuses ou sans dispositif de protection, comme les déflecteurs et/ou le sac de ramassage.
- ◆ N'utilisez cet appareil que de jour ou avec un éclairage artificiel approprié.
- ◆ N'utilisez pas l'appareil sous la pluie. Ne l'exposez pas à l'humidité. Il est préférable de ne pas l'utiliser si le gazon est humide.
- ◆ Faites attention à votre position, surtout dans les pentes. N'oubliez pas que l'herbe fraîchement coupée est glissante. Ne travaillez pas sur des pentes trop raides.
- ◆ Ne travaillez jamais de haut en bas. Prenez toutes les précautions nécessaires quand vous changez de direction dans la pente.
- ◆ Ne tondez pas sur des pentes trop raides.
- ◆ Ne jamais courir en poussant l'outil, marchez. Ne tirez pas l'appareil vers vous. Ne marchez pas à reculons en utilisant l'outil.
- ◆ Mettez l'outil en marche en suivant les instructions et en éloignant vos pieds de la lame.
- ◆ Ne restez pas debout devant l'ouverture de refoulement.
- ◆ N'inclinez pas l'outil en le mettant en marche, sauf s'il doit être incliné pour le démarrage.
Dans ce cas, ne l'inclinez pas plus que nécessaire et ne levez que la partie éloignée de l'utilisateur. Vos mains doivent être en position pour le fonctionnement avant de reposer l'outil au sol.
- ◆ Éteignez l'outil. Si l'outil a été incliné pour traverser une surface autre que de la pelouse et pendant le transport vers et depuis la zone à tonde, attendez que la lame s'arrête.
- ◆ Ne levez pas ou ne portez pas l'outil avant l'arrêt complet de la lame.
- ◆ Éloignez vos mains et vos pieds de la lame.
- ◆ Ne posez pas vos mains ou vos pieds à côté ou sous les pièces en mouvement.
- ◆ Gardez-les en permanence éloignés des ouvertures d'évacuation.
- ◆ Vous devez arrêter l'appareil, débrancher la prise et vérifier que les parties en mouvement ne sont plus en rotation avant de laisser l'outil sans surveillance et de changer, nettoyer ou vérifier des pièces de l'appareil ou encore de le débloquer. Après avoir heurté un corps étranger.

Vérifiez l'état de la machine et effectuez les réparations avant de redémarrer et d'utiliser la machine ;

- ◆ Si l'appareil commence à vibrer de manière anormale ou si vous touchez un corps étranger, éteignez-le et débranchez la prise. Vérifiez l'état de la machine, remplacez ou réparez les pièces endommagées, vérifiez et serrez les pièces desserrées.
- ◆ Prenez les précautions nécessaires pour que le câble de secteur soit éloigné de la lame. Vérifiez toujours la position du câble.
- ◆ Le moteur continue de tourner pendant quelques secondes après avoir éteint l'outil. N'arrêtez jamais la lame de force.

Entretien et rangement

- ◆ Avant d'utiliser l'appareil, vérifiez qu'aucune de ses pièces n'est endommagée ou défectueuse. Vérifiez que les pièces mobiles sont bien alignées et fixées, qu'elles ne sont pas cassées, que les dispositifs de protection et les interrupteurs ne sont pas endommagés et l'absence de toute autre condition qui pourrait nuire au bon fonctionnement de l'appareil. Assurez-vous du bon fonctionnement de l'appareil, comme prévu. N'utilisez jamais l'appareil si l'un des dispositifs de protection ou l'un des capots est endommagé ou manquant. N'utilisez pas l'appareil si l'une de ses pièces est endommagée ou défectueuse.

N'utilisez pas l'appareil si son interrupteur ne permet plus de le mettre en marche et de l'éteindre. Faites réparer ou remplacer les pièces défectueuses ou endommagées par un réparateur agréé.

- ◆ Vérifiez régulièrement l'état du câble. Si le câble est endommagé, il doit être remplacé par un réparateur agréé afin d'éviter tout risque. Vérifiez régulièrement les rallonges. Remplacez immédiatement la rallonge si elle est en mauvais état.
- ◆ Les écrous, boulons et vis doivent être correctement vissés pour travailler en toute sécurité.
- ◆ Vérifiez l'absence d'usure ou de dommage sur le bac de récupération d'herbe et changez-le si nécessaire. N'utilisez jamais l'appareil sans le bac de récupération d'herbe.
- ◆ Prenez les précautions nécessaires pendant le réglage de la machine pour ne pas coincer vos doigts entre les lames en mouvement et les pièces fixes de la machine.
- ◆ Pendant l'entretien des lames, n'oubliez pas que même si l'alimentation est coupée, les lames peuvent encore bouger.
- ◆ Quand il n'est pas utilisé, l'appareil doit être rangé dans un endroit sec. Rangez vos appareils hors de portée des enfants.
- ◆ Laissez la machine refroidir avant de la ranger.
- ◆ Les organes de coupe utilisés doivent être appropriés.

- ◆ N'utilisez que des pièces détachées et des accessoires recommandés par BLACK+DECKER.

Consignes de sécurité supplémentaires pour l'utilisation des tondeuses

- ◆ Utilisez toujours une rallonge homologuée et adaptée à la puissance de cet outil (voir les caractéristiques techniques). La rallonge doit être homologuée pour une utilisation en extérieur et marquée en conséquence. Une rallonge HO5VV-F de 1,5 mm² allant jusqu'à 30 m peut être utilisée sans que les performances de l'appareil ne soient limitées. Avant utilisation, vérifiez la rallonge et assurez-vous qu'elle est ne présente aucun signe d'endommagement, d'usure ou de vieillissement. Remplacez la rallonge si elle est en mauvais état. Si vous utilisez un enrouleur de câble, déroulez toujours le câble complètement.
- ◆ Ne transportez pas la machine si elle est alimentée
- ◆ Tenez fermement la poignée à deux mains lorsque la tondeuse est en marche.
- ◆ Si pour une raison quelconque, la tondeuse doit être inclinée, maintenez les deux mains en position sur la poignée pendant l'inclinaison. Gardez vos deux mains en position jusqu'à ce que la tondeuse soit à nouveau correctement posée au sol.
- ◆ Ne portez jamais d'écouteurs pour écouter de la musique lorsque la tondeuse est en marche.
- ◆ N'essayez jamais de régler une hauteur de roue quand le moteur tourne ou quand la clé de sécurité est enclenchée.
- ◆ Si la tondeuse cale, arrêtez la tondeuse, attendez que la lame s'arrête avant d'essayer de dégager l'accumulation d'herbe ou de nettoyer le plateau de coupe.
- ◆ Éloignez vos mains et vos pieds des zones de coupe.
- ◆ Maintenir les lames bien affûtée. Portez toujours des gants de protection pour manipuler la lame de la tondeuse.
- ◆ Si vous utilisez le bac de ramassage, vérifiez régulièrement son état. Pour votre propre sécurité, remplacez le sac de récupération d'herbe par un neuf s'il est trop usé.
- ◆ Prenez toutes les précautions nécessaires quand vous retournez la tondeuse ou que vous la tirez vers vous.
- ◆ Ne posez pas les mains ou les pieds à côté ou sous la tondeuse. Gardez en permanence l'ouverture de refoulement dégagée.
- ◆ Éliminez de la zone à tondre les cailloux, bâtons, câbles, jouets, os, etc. qui risqueraient d'être projetés par la lame. Les objets coincés dans la lame peuvent provoquer des blessures graves. Restez derrière la tondeuse lorsque le moteur est en marche.

- ◆ Ne faites pas fonctionner la tondeuse pieds nus ou si vous portez des sandales. Portez toujours des chaussures fermées.
 - ◆ N'utilisez la tondeuse en marche arrière qu'en cas de nécessité absolue. Regardez toujours au bas et derrière la tondeuse lorsque vous tondez en marche arrière.
 - ◆ N'éliminez jamais le contenu du sac de ramassage en direction d'une personne. Évitez de décharger contre un mur ou un endroit encombré. Un effet de ricochet vers l'utilisateur est possible. Relâchez la poignée de démarrage pour arrêter la tondeuse et arrêter la lame quand vous passez sur une surface gravillonnée.
 - ◆ N'utilisez jamais la tondeuse sans que le bac de récupération d'herbe, le cache de l'ouverture d'évacuation, la protection arrière et les autres dispositifs de sécurité soient en place et en bon état de fonctionnement. Vérifiez régulièrement tous les dispositifs de protection et de sécurité afin de vous assurer qu'ils fonctionnent correctement. Si une protection ou un dispositif de sécurité est endommagé, remplacez-le avant de continuer.
 - ◆ Ne laissez jamais une tondeuse tourner sans surveillance.
 - ◆ Relâchez toujours la barre de déclenchement pour arrêter le moteur.
- Attendez que la lame soit complètement arrêtée et avant de nettoyer la tondeuse, de retirer le sac de récupération d'herbe, de désobstruer le cache de l'ouverture d'évacuation, lorsque vous quittez la tondeuse ou avant toute opération de réglage, réparation ou inspection.
- ◆ N'utilisez la tondeuse que de jour ou avec un bon éclairage artificiel. Les objets sur le chemin de la lame doivent être parfaitement visibles depuis la zone où la tondeuse est utilisée.
 - ◆ Ne faites pas fonctionner la tondeuse si vous êtes sous l'influence d'alcool ou de drogues ou si vous êtes fatigué ou malade. Restez toujours vigilant, restez concentré sur ce que vous faites et gardez votre bon sens.
 - ◆ Évitez les environnements dangereux. N'utilisez jamais la tondeuse quand l'herbe est humide ou sous la pluie. Assurez-vous de garder l'équilibre, marchez, ne courez pas.
 - ◆ Si la tondeuse se met à vibrer de façon anormale, relâchez l'interrupteur marche/arrêt, attendez que la lame s'arrête avant d'immédiatement rechercher d'où vient le problème. Les vibrations sont généralement signe de problème, consultez le guide de dépannage pour obtenir des conseils en cas de vibrations anormales.
 - ◆ Portez toujours des protections oculaires et respiratoires adaptées lorsque vous utilisez la tondeuse.

- ◆ L'utilisation d'accessoires non recommandés pour cette tondeuse peut être dangereuse. N'utilisez que des accessoires homologués par BLACK+DECKER.
- ◆ Ne vous penchez jamais lorsque vous utilisez la tondeuse. Gardez toujours une position stable et équilibrée.
- ◆ Ne travaillez jamais de haut en bas. Prenez toutes les précautions nécessaires quand vous changez de direction en pente.
- ◆ Faites attention aux trous, bosses, pierres ou autres objets cachés. Un terrain irrégulier peut provoquer des risques de glissement et de chute. L'herbe haute peut masquer les obstacles.
- ◆ Ne tondez pas sur l'herbe mouillée ou sur des pentes excessivement raides. Un mauvais équilibre peut conduire à glisser et à tomber.
- ◆ Ne tondez pas à côté de fossés ou de talus. Vous pourriez perdre l'équilibre.
- ◆ Laissez toujours la tondeuse refroidir avant de la ranger.

Retirez la prise de la prise murale et retirez le bloc-batterie de la machine.

Assurez-vous que toutes les pièces mobiles sont à l'arrêt :

- ◆ Dès que vous quittez la machine ;
- ◆ Avant de supprimer un bouchage ;
- ◆ Avant de vérifier, nettoyer ou réparer la machine.

Vibrations

La valeur des émissions de vibrations déclarée dans les caractéristiques techniques et la déclaration de conformité a été mesurée conformément à la méthode de test normalisée établie par la norme EN50636 et peut être utilisée pour comparer un outil à un autre. La valeur des émissions de vibrations déclarée peut aussi être utilisée pour une évaluation préliminaire de l'exposition.

Avertissement ! En fonction de la manière dont l'outil est utilisé, la valeur des émissions de vibrations réelles pendant l'utilisation de l'outil peut différer de la valeur déclarée. Le niveau des vibrations peut dépasser le niveau déclaré. Quand l'exposition aux vibrations est évaluée afin de déterminer les mesures de sécurité requises par la norme 2002/44/CE pour protéger les personnes utilisant régulièrement des outils électriques, cette estimation doit tenir compte des conditions réelles d'utilisation et de la façon dont l'outil est utilisé.

Il faut également tenir compte de toutes les composantes du cycle de fonctionnement comme la durée pendant laquelle l'outil est arrêté et quand il fonctionne au ralenti, ainsi que la durée du déclenchement. Ne faites pas fonctionner l'outil si les vibrations sont anormales.

Sécurité des personnes

- ◆ L'utilisation de cet appareil n'est pas prévue pour les personnes (y compris les enfants) ayant des capacités physiques, sensorielles ou mentales limitées, ou qui manquent d'expérience et de connaissances, sauf si ces personnes sont surveillées ou instruites sur l'utilisation de l'appareil par une personne responsable de leur sécurité.
- ◆ Les enfants doivent être surveillés afin de garantir qu'ils ne jouent pas avec l'appareil.
- ◆ Après avoir heurté un corps étranger. Vérifiez l'absence de dommage sur la machine et faites effectuer les réparations le cas échéant.

Risques résiduels

Certains risques résiduels autres que ceux mentionnés dans les avertissements sur la sécurité peuvent survenir en utilisant l'outil. Ces risques peuvent survenir si l'appareil est mal utilisé, en cas d'utilisation prolongée, etc. Malgré le respect des normes de sécurité correspondantes et la présence de dispositifs de sécurité, les risques résiduels suivants ne peuvent être évités. Ils comprennent :

- ◆ Les blessures dues au contact avec des pièces mobiles.
- ◆ Les blessures dues au contact avec des pièces brûlantes.
- ◆ Les blessures dues au changement de pièces ou d'accessoires.

- ◆ Les blessures dues à l'utilisation prolongée de l'appareil. Lorsque vous utilisez l'appareil pendant de longues périodes, assurez-vous de faire des pauses régulières.
- ◆ Troubles de l'ouïe.
- ◆ Risques pour la santé dus à l'inhalation de poussières produites pendant l'utilisation de l'outil (exemple : travail avec du bois, surtout le chêne, le hêtre et les panneaux en MDF).
- ◆ Si l'utilisation de la tondeuse dans un endroit humide est inévitable, utilisez un disjoncteur différentiel à courant résiduel dont le courant de déclenchement n'excède pas 30 mA. L'utilisation d'un DDR réduit le risque de choc électrique.
- ◆ Ne soulevez et ne transportez jamais la machine si le moteur est en marche.

Symboles d'avertissement

Les pictogrammes qui suivent figurent sur l'outil avec le code date :



Avertissement ! Lisez le manuel avant la mise en marche.



N'exposez pas l'appareil à la pluie ou à l'humidité.



Débranchez toujours la prise du courant avant de vérifier si le câble endommagé. N'utilisez pas votre machine si un câble est endommagé.



Faites attention aux lames tranchantes.



Faites attention aux projections d'objets. Éloignez toutes les personnes à proximité de la zone de tonte.



Éloignez le câble des lames.



Les lames continuent à tourner après l'arrêt de la machine.



Puissance sonore garantie conforme à la Directive 2000/14/CE.

Sécurité électrique



Avertissement ! Cet outil est doublement isolé et ne nécessite donc aucun fil de liaison à la terre. Assurez-vous toujours que l'alimentation électrique correspond à la tension mentionnée sur la plaque signalétique.

- ◆ Si le câble d'alimentation est endommagé, il doit être remplacé par le fabricant ou par un centre de réparation agréé BLACK+DECKER afin d'éviter tout accident.
- ◆ La sécurité électrique peut être améliorée à l'aide d'un dispositif différentiel à courant résiduel (DDR) à grande sensibilité 30 mA.

Caractéristiques

Cet appareil présente tout ou partie des caractéristiques suivantes.

1. Boîtier de commutation
2. Bouton marche/arrêt
3. Gâchette de démarrage
4. Poignée supérieure
5. Poignée inférieure
6. Bac de récupération d'herbe
7. Capot moteur
8. Poignée de transport

Assemblage

Avertissement ! Avant l'assemblage, assurez-vous que l'outil est éteint et débranché.

Assemblage du bac de récupération d'herbe (Fig. A, B et C)

Le bac de récupération d'herbe doit être assemblé. Il est composé de 3 pièces.

- ◆ Accrochez la poignée (6a) dans le couvercle (6b) du bac à herbe (Fig. B). La poignée ne peut être installée que dans un sens.
- ◆ Alignez le couvercle (6b) sur la base du bac de récupération d'herbe (6c). Assurez-vous que les guides sont alignés (Fig. C)

Remarque : Prenez un maximum de précautions en alignant les 2 clips à l'arrière du bac de récupération d'herbe.

- ◆ Appuyez sur le couvercle pour fixer tous les clips. Commencez par l'arrière et assurez-vous que tous les clips sont bien enclenchés.

Installation du bac de récupération d'herbe (Fig. D)

- ◆ Soulevez le clapet (8) et placez le bac de récupération d'herbe (6) sur les ergots.

Installation du boîtier de commutation (Fig. E)

- ◆ Alignez les ergots en plastique sur le boîtier de commande (1) avec les trous de la poignée (1b) en vous assurant que le boîtier soit placé sur le bord supérieur de la poignée.
- ◆ Glissez les ergots en plastique sur le boîtier de commande (1) complètement dans les trous de la poignée.
- ◆ Glissez le couvercle en plastique (1b) dans les fines rainures du boîtier de commande (1).
- ◆ Fixez le couvercle en plastique (1b) à l'aide des 2 vis fournies

Installation de la poignée inférieure (Fig. F)

- ◆ Insérez les extrémités de la poignée inférieure (5) dans les trous correspondants sur la tondeuse.
- ◆ Poussez la poignée vers le bas aussi loin que possible.
- ◆ Fixez la poignée à l'aide des vis (5a).

Assemblage de la poignée supérieure (Fig. G)

- ◆ Fixez la poignée supérieure (4) à la poignée inférieure (5) en utilisant les boutons (4a), les rondelles (4c) et les vis (4b) comme indiqué.

Remarque: La poignée supérieure peut être fixée à 2 hauteurs différentes.

Mise en marche et arrêt (figure H)

Mise en marche

- ◆ Appuyez sur le bouton Marche/Arrêt (2).
- ◆ Tirez la gâchette de démarrage (3) vers la poignée.

Extinction

- ◆ Relâchez la gâchette de démarrage (3).

Avertissement! N'essayez jamais de bloquer l'interrupteur en position marche.

Réglage de la hauteur de coupe (Fig. I)

Avertissement! Attendez que la lame soit complètement arrêtée, puis débranchez l'appareil du secteur.

La hauteur de coupe est ajustée en alternant la hauteur des roues. Sélectionnez une des 3 positions.

- ◆ Retirez le bac de récupération d'herbe (7).
- ◆ Retournez la tondeuse.
- ◆ Maintenez une roue (24) et tirez/poussez l'axe par rapport à sa position actuelle.
- ◆ Déplacez la roue (24) à la position qui suit vers le haut ou le bas.

Remarque: Réglez une roue à la fois. Ne changez que d'une position à la fois.

Tonte jusqu'en bordure (Fig. J, K)

La tonte jusqu'en bordure vous permet de couper l'herbe jusqu'en bordure d'un mur ou d'une clôture (Fig. J).

La tonte jusqu'en bordure vous permet de précisément tondre l'herbe jusqu'en bordure de votre pelouse (Fig. K).

- ◆ Tondeuse parallèle à la bordure de votre pelouse, poussez-la le long du bord de la pelouse. Assurez-vous que le bord de la tondeuse se trouve légèrement au-dessus du niveau de votre pelouse (Fig. K).

Remplacement de la lame (Fig. L)

Avertissement! Attendez que la lame soit complètement arrêtée, puis débranchez l'appareil du secteur.

Avertissement! N'utilisez que des lames de rechange prescrites par le fabricant.

Avertissement! Utilisez des gants de travail épais pour tenir la lame.

Pour retirer la lame :

- ◆ Couchez la tondeuse sur le côté.
- ◆ Utilisez des gants de travail épais pour attraper la lame.
- ◆ Utilisez une clé de 13 mm pour desserrer et retirer le boulon de la lame (10) en tournant la clé dans sens inverse des aiguilles d'une montre.
- ◆ Retirez la lame (9) et le boulon de la lame (10).

Pour replacer la lame :

- ◆ Amenez la lame vers l'axe du boulon et placez le boulon de la lame (10) sur l'axe du boulon.

Remarque: Pour installer une lame, le texte sur la lame doit faire face à l'utilisateur.

- ◆ Serrez le boulon de la lame (10) le plus possible à la main.
- ◆ Utilisez des gants de travail épais pour attraper la lame.
- ◆ Utilisez une clé de 13 mm pour serrer fermement le boulon de la lame (10) en tournant la clé dans le sens des aiguilles d'une montre.

Tonte (Fig. M1 et M2)

Nous vous recommandons d'utiliser votre tondeuse selon les instructions données dans cette section. Vous obtiendrez ainsi le meilleur résultat et réduirez le risque de couper le câble d'alimentation.

- ◆ Placez la longueur de câble sur la pelouse, près du point de départ (position 1 de la figure M1).
- ◆ Mettez l'appareil en marche, comme décrit ci-dessus.
- ◆ Travaillez comme illustré par la Fig. M1
- ◆ Déplacez-vous de la position 1 à la position 2.
- ◆ Tournez à droite et dirigez-vous jusqu'à la position 3.
- ◆ Tournez à gauche et dirigez-vous vers la position 4.
- ◆ Recommencez ce processus, si nécessaire.

Avertissement! Ne roulez pas sur le câble, comme illustré par la figure N2.

Affûtage de la lame

Remarque: La machine BEMW451 utilise des lames BLACK+DECKER (Cat# A6305). Pour des performances optimales, maintenez la lame affûtée. Une lame émoussée ne peut pas couper l'herbe de façon nette. Utilisez une protection oculaire adaptée pour retirer, affûter et installer la lame. L'affûtage de la lame deux fois pendant la saison de tonte suffit généralement en conditions normales.

Le sable use rapidement la lame. Si le sol est sablonneux, il faut l'affûter plus fréquemment.

Remarque: Remplacez immédiatement la lame si elle est tordue ou endommagée.

Lorsque vous affûtez la lame :

- ◆ Assurez-vous que la lame reste bien équilibrée.
- ◆ Affûtez la lame selon son angle de coupe d'origine.
- ◆ Affûtez les bords de coupe des deux côtés de la lame, en retirant la même quantité de matière des deux côtés.

Pour affûter la lame dans un étau (Fig. N)

- ◆ Assurez-vous que la lame est arrêtée et que la tondeuse est débranchée avant de retirer la lame.
- ◆ Retirez la lame de la tondeuse. Consultez les instructions pour le retrait et l'installation de la lame.
- ◆ Sécurisez la lame (9) dans un étau (11).

- ◆ Portez une protection oculaire adaptée et des gants et faites attention à ne pas vous couper. Limez soigneusement les bords de coupe de la lame avec une lime à dents fines (12) ou une pierre à aiguiser, en gardant l'angle du bord de coupe d'origine. Contrôlez l'équilibrage de la lame. Consultez les instructions pour l'équilibrage de la lame.
- ◆ Réinstallez la lame sur la tondeuse et fixez-la fermement.

Équilibrage de la lame (Fig. O)

Vérifiez l'équilibre de la lame (9) en plaçant le trou central de la lame sur un clou ou un tournevis rond serré horizontalement dans un étau. Si l'une des extrémités de la lame tourne vers le bas, limez le long du bord tranchant de cette extrémité tombante. La lame est correctement équilibrée si aucun côté ne tombe.

Lubrification

Aucune lubrification n'est nécessaire. Ne graissez pas les roues. Les surfaces de roulement sont en plastique, il n'est donc pas nécessaire de les graisser.

Nettoyage

Éteignez la tondeuse et laissez la lame s'arrêter. N'utilisez que du savon doux et un chiffon humide pour nettoyer la tondeuse. Supprimez les résidus qui peuvent s'accumuler sur le dessous de la plaque de tonte. Après plusieurs utilisations, vérifiez si toutes les fixations apparentes sont bien serrées.

Prévention contre la rouille

Les engrais et autres produits chimiques contiennent des agents qui accélèrent le phénomène de corrosion des métaux. Si vous tondez dans des zones recouvertes d'engrais ou de produits chimiques, la tondeuse doit immédiatement être nettoyée comme suit :
Éteignez et débranchez la tondeuse. Essuyez toutes les pièces apparentes avec un chiffon humide.

Maintenance

Votre appareil/outil sans fil/avec fil BLACK+DECKER a été conçu pour fonctionner pendant longtemps avec un minimum d'entretien. Son bon fonctionnement continu dépend de son entretien et de son nettoyage régulier.

Avertissement ! Avant toute opération de maintenance sur des outils électriques avec ou sans fil :

- ◆ Arrêtez et débranchez l'appareil/outil.
- ◆ Ou déchargez complètement la batterie si elle est intégrée au système, puis éteignez l'appareil.
- ◆ Débranchez le chargeur avant de le nettoyer. Votre chargeur ne nécessite aucun entretien particulier, à l'exception d'un nettoyage régulier.

- ◆ Nettoyez régulièrement les orifices d'aération de votre outil/appareil et de votre chargeur à l'aide d'une brosse souple ou d'un chiffon sec.
- ◆ Nettoyez régulièrement le carter moteur à l'aide d'un chiffon humide. N'utilisez pas de détergents abrasifs ou à base de solvants.
- ◆ Utilisez régulièrement un racleur pour retirer l'herbe et les saletés sous le dispositif de protection.

Dépannage

Si votre appareil semble ne pas fonctionner correctement, suivez les instructions ci-dessous. Si le problème persiste, veuillez contacter votre réparateur local BLACK+DECKER.

Avertissement ! Avant de commencer, relâchez la barre de démarrage pour arrêter la tondeuse et attendez que la lame soit complètement arrêtée.

Problème	Cause possible	Solution possible
La machine ne se met pas en marche.	Alimentation coupée.	Allumez la machine.
	Fusible grillé/défaillant.	Remplacez le fusible.
	Herbe trop haute.	Augmentez la hauteur de coupe et déplacez la machine dans une zone où l'herbe est plus courte pour démarrer.
	Coupure thermique activée.	Laissez le moteur refroidir et augmentez la hauteur de coupe.
La machine fonctionne par intermittence.	Coupure thermique activée.	Laissez le moteur refroidir et augmentez la hauteur de coupe.
La machine déchiquète l'herbe et le moteur peine.	Hauteur de coupe trop basse.	Augmentez la hauteur de coupe.
	Lame émoussée.	Remplacez la lame.
	Bourrage sous la machine.	Inspectez le dessous de la machine et éliminez ce qui doit l'être (portez toujours des gants épais)
	Lame montée à l'envers.	Réinstallez la lame correctement.

Protection de l'environnement



Tri sélectif. Les produits et batteries marqués de ce symbole ne doivent pas être jetés avec les déchets ménagers.

Les produits et batteries contiennent des matières qui peuvent être récupérées et recyclées afin de réduire la demande en matières premières. Veuillez à recycler les produits électriques et les piles et batteries conformément aux dispositions locales en vigueur. Pour plus d'informations, consultez le site www.2helpU.com

Caractéristiques techniques

		BEMW451
Tension	V _{AC}	230
Puissance absorbée	W	1200
Vitesse à vide	min ⁻¹	3500
Réglage de la hauteur	mm	23 - 63
Longueur du lame	mm	320
Poids	Kg	8.33

Valeur de vibration pondérée au niveau de la main/du bras :
= 2,5m/s², incertitude (K) = 1,5m/s².

Niveau de pression sonore au niveau des oreilles de l'utilisateur :
L_{PA}: 78,5dB(A) ; K= 4,0dB(A)

Niveau de puissance sonore L_{WA}: 93dB(A) ; K= 3dB(A)

Déclaration de conformité CE DIRECTIVES MACHINES DIRECTIVE RELATIVE AUX NUISANCES SONORES EXTÉRIEURES



Tondeuse BEMW451

Black & Decker déclare que les produits décrits dans les "Caractéristiques techniques" sont conformes aux normes :
2006/42/CE, EN 60335-1:2012 + A11:2014, EN 60335-2-77:2010

2000/14/CE, Tondeuse à gazon, L < 50 cm, Annexe VI,

DEKRA Certification B.V. Meander 1051 / P.O. Box 5185
6825 MJ ARNHEM / 6802 ED ARNHEM Pays-Bas.

Niveau de puissance sonore selon la norme 2000/14/CE
(Article 12, Annexe III, L ≤ 50cm) :

niveau de puissance sonore mesuré L_{WA}: 93dB(A) ; K=3dB(A).
niveau de puissance sonore garanti L_{WA}: 96dB(A).

Ces produits sont également conformes aux Directives 2014/30/UE et 2011/65/UE. Pour plus de détails, veuillez contacter Black & Decker à l'adresse suivante ou consultez la dernière page du manuel.

Le soussigné est responsable de la compilation des données de la fiche technique et fait cette déclaration au nom de Black & Decker.

R. Laverick
Directeur Ingénierie
Black & Decker Europe, 210 Bath Road, Slough,
Berkshire, SL1 3YD
Royaume-Uni
27/10/2017

Garantie

Black & Decker est sûr de la qualité de ses produits et offre une garantie de 24 mois aux utilisateurs, à partir de la date d'achat. Cette garantie s'ajoute à vos droits légaux auxquels elle ne porte aucunement préjudice. Cette garantie est valable au sein des territoires des États membres de l'Union Européenne et au sein de la Zone européenne de libre-échange.

Pour prétendre à la garantie, la réclamation doit être conforme aux conditions générales de Black & Decker et vous devez fournir une preuve d'achat au vendeur ou au réparateur agréé. Les conditions générales de la garantie de 2 ans Black & Decker ainsi que l'adresse du réparateur agréé le plus proche sont disponibles sur le site Internet www.2helpU.com ou en contactant votre agence Black & Decker locale à l'adresse indiquée dans ce manuel.

Veuillez consulter notre site Internet www.blackanddecker.co.uk pour enregistrer votre nouveau produit Black & Decker et pour être tenu informé des nouveaux produits et offres spéciales.

Uso previsto

Il tosaerba BEMW451 BLACK+DECKER è stato progettato per tagliare l'erba. Questo elettroutensile è destinato esclusivamente all'uso privato.

Istruzioni di sicurezza

Avvertenza! Quando si usano elettroutensili alimentati elettricamente, osservare sempre le normali precauzioni di sicurezza per ridurre il rischio di incendio, scosse elettriche e lesioni personali.

- ◆ Leggere attentamente il presente manuale prima di usare l'elettroutensile.
- ◆ L'uso previsto è descritto nel presente manuale. Se questo elettroutensile viene utilizzato con accessori o per impieghi diversi da quelli raccomandati nel presente manuale, si potrebbero verificare lesioni personali.
- ◆ Conservare il presente manuale per future consultazioni.

Addestramento

- ◆ Leggere attentamente le istruzioni. Imparare bene i comandi e come usare in modo appropriato l'elettroutensile.
- ◆ Vietare l'uso dell'elettroutensile a bambini e ad adulti che non abbiano letto le presenti istruzioni. I regolamenti locali in vigore potrebbero limitare l'età dell'operatore.
- ◆ Non usare mai l'elettroutensile se ci sono persone (in particolare bambini) o animali domestici nelle vicinanze.

- ◆ Ricordare che l'operatore è responsabile di eventuali rischi o incidenti che coinvolgono terzi o le loro cose.

Preparazione

- ◆ Mentre si usa il tosaerba, indossare sempre calzature da lavoro robuste e calzoncini lunghi. Non usare il tosaerba a piedi nudi o quando si indossano sandali. Evitare di indossare capi di abbigliamento larghi o con cordoncini pendenti o lacci.
- ◆ Ispezionare sempre a fondo la zona dove il tosaerba deve essere usato ed eliminare tutti gli oggetti che potrebbero essere lanciati dalla lama rotante.
- ◆ Prima dell'impiego, controllare a vista che la lama, il bullone di fissaggio della lama e il gruppo di taglio non siano usurati o danneggiati. Sostituire i componenti usurati o danneggiati in serie per mantenere il bilanciamento del tosaerba. Sostituire le etichette danneggiate o illeggibili.
- ◆ Prima dell'uso, controllare che il filo di alimentazione e il cavo di prolunga non presentino segni di danni o invecchiamento. Se il filo di alimentazione subisce danni durante l'uso, scollegarlo immediatamente dalla presa di corrente. **NON TOCCARE IL CAVO PRIMA DI SCOLLEGARLO DALLA PRESA DI CORRENTE.** Non utilizzare la macchina se il cavo è danneggiato o usurato.

- ◆ Indossare occhiali di sicurezza quando si usa l'elettrotensile. Usare una maschera antipolvere quando si lavora in ambienti polverosi. Indossare sempre delle protezioni auricolari quando il livello sonoro diventa troppo alto.
- ◆ Fare attenzione alle scosse elettriche. Evitare il contatto con le superfici messe a terra (ad esempio guide metalliche, lampioni, ecc.).

Funzionamento

- ◆ Non far mai funzionare l'elettrotensile con protezioni o scudi difettosi o senza di essi, ad esempio senza che i deflettori e/o il cesto raccogliherba siano montati.
- ◆ Usare l'elettrotensile solo alla luce del giorno o con una buona illuminazione artificiale.
- ◆ Non esporre l'elettrotensile alla pioggia. Non usare l'elettrotensile in ambienti umidi o bagnati. È preferibile non usare l'elettrotensile quando l'erba è bagnata.
- ◆ Mantenere un buon equilibrio, in modo particolare sui pendii. Ricordare che l'erba appena tagliata è umida e scivolosa. Non lavorare su pendii ripidi.
- ◆ Lavorare trasversalmente su un pendio e mai procedendo verticalmente in su e in giù. Prestare la massima attenzione quando si cambia direzione su di un pendio.
- ◆ Non tagliare l'erba su pendii molto ripidi.
- ◆ Camminare e non correre mai mentre si utilizza l'elettrotensile. Non tirare l'elettrotensile verso di sé e non camminare all'indietro durante l'uso.
- ◆ Accendere l'elettrotensile seguendo le istruzioni e tenendo i piedi sempre ben lontani dalla lama.
- ◆ Non far funzionare il tosaerba posizionandosi direttamente davanti all'apertura di scarico.
- ◆ Non inclinare l'elettrotensile quando lo si accende, ad eccezione di quando deve essere inclinato per l'avviamento. In tali casi, non inclinare l'elettrotensile più di quanto sia assolutamente necessario e sollevare solo la parte lontana dall'operatore. Accertarsi sempre che entrambe le mani siano nella posizione operativa prima di riportare a terra l'elettrotensile.
- ◆ Spegnere l'elettrotensile e lasciare che la lama si fermi se è necessario inclinare l'elettrotensile per trasportarlo quando si attraversano superfici non erbose e quando lo si sposta da una zona da tagliare all'altra.
- ◆ Non sollevare né trasportare l'elettrotensile fino a quando la lama non si è arrestata completamente.
- ◆ Tenere sempre piedi e mani ben lontani dalla lama.
- ◆ Non infilare mani o piedi vicino o sotto alle parti in movimento.
- ◆ Tenersi sempre lontani dalle aperture di scarico.

- ◆ Spegnere l'elettrotensile, scollegare la spina dalla presa di corrente e accertarsi che le parti in movimento siano ferme prima di lasciarlo incustodito e prima di cambiare, pulire o ispezionare qualsiasi parte o di eliminare un'ostruzione. Dopo aver colpito un oggetto estraneo. Verificare che il tosaerba non sia danneggiato ed effettuare le riparazioni richieste prima di riaccenderlo e di usarlo;
- ◆ Se l'elettrotensile comincia a vibrare in modo anomalo o se si colpisce un oggetto estraneo, spegnerlo e scollegare la spina dalla presa di corrente. Controllare se l'elettrotensile presenta danni, sostituire o riparare le parti danneggiate, verificare che non vi siano parti allentate ed eventualmente serrarle.
- ◆ Prestare attenzione a tenere sempre lontano il cavo di alimentazione dalla lama. Essere sempre consapevoli di dove si trova il cavo di alimentazione.
- ◆ Il motore continua a funzionare per alcuni secondi dopo lo spegnimento dell'elettrotensile. Non tentare mai di fermare a forza la lama.

Manutenzione e conservazione

- ◆ Prima dell'uso, controllare che l'elettrotensile non sia danneggiato e non presenti parti difettose.

Controllare che le parti in movimento non siano allineate male, inceppate o rotte, che protezioni e interruttori non siano danneggiati e che non sussistano altre condizioni che potrebbero compromettere il funzionamento. Accertarsi che l'elettrotensile funzioni correttamente ed esegua il proprio lavoro. Non usare mai l'elettrotensile se le protezioni o la scocca sono danneggiate o non sono montate. Non usare l'elettrotensile se alcune parti sono danneggiate o difettose. Non usare l'elettrotensile se l'interruttore di accensione non funziona correttamente. Far riparare o sostituire le parti danneggiate o difettose da un tecnico autorizzato.

- ◆ Controllare di frequente che il cavo non sia danneggiato. Se il cavo è danneggiato, farlo sostituire da un tecnico autorizzato per evitare pericoli. Ispezionare periodicamente le prolunghie. Sostituire immediatamente le prolunghie danneggiate.
- ◆ Verificare che dadi, bulloni e viti dell'elettrotensile siano sempre ben saldi per garantire delle condizioni di lavoro sicure.
- ◆ Controllare che il cesto raccogliherba non sia usurato o danneggiato e sostituirlo se necessario. Non usare mai l'elettrotensile senza il cesto raccogliherba montato.

- ◆ Prestare attenzione durante la regolazione del tosaerba per evitare di schiacciarsi le dita tra le lame in movimento e le parti fisse del tosaerba.
- ◆ Quando si esegue la manutenzione delle lame tenere presente che, anche con l'alimentazione elettrica scollegata, le lame potrebbero comunque ruotare.
- ◆ Quando non viene usato, l'elettrotensile deve essere conservato in un luogo asciutto. L'elettrotensile non deve essere riposto alla portata dei bambini.
- ◆ Lasciare che il tosaerba si raffreddi prima di riporlo.
- ◆ Usare solo lame di ricambio di tipo corretto.
- ◆ Usare solo ricambi e accessori raccomandati da BLACK+DECKER.

Altre precauzioni di sicurezza per i tosaerba

- ◆ Usare sempre un cavo di prolunga di tipo omologato, idoneo all'assorbimento di corrente di questo elettrotensile (vedere i Dati tecnici). Il cavo di prolunga deve essere idoneo per l'impiego all'esterno e deve essere opportunamente contrassegnato. È possibile usare un cavo di prolunga lungo fino a 30 m con diametro di 1,5 mm² HO5VV-F senza perdita alcuna delle prestazioni del prodotto.

Prima dell'impiego, ispezionare il cavo di prolunga per accertarsi che non presenti segni di danneggiamento, usura o invecchiamento. Sostituire il cavo di prolunga se è danneggiato o difettoso. Se si utilizza un avvolgitore, estrarre il cavo per l'intera lunghezza.

- ◆ Non trasportare il tosaerba acceso.
- ◆ Durante l'uso del tosaerba afferrare saldamente il manico con entrambe le mani.
- ◆ Se in qualsiasi momento dovesse essere necessario inclinare il tosaerba, tenere entrambe le mani nella posizione di lavoro mentre lo si inclina. Tenere entrambe le mani nella posizione di lavoro fino a quando il tosaerba è di nuovo appoggiato correttamente a terra.
- ◆ Non indossare auricolari di radio o altri dispositivi per la riproduzione di musica quando si usa il tosaerba.
- ◆ Non tentare mai di regolare l'altezza delle ruote con il motore acceso o quando la chiave di sicurezza si trova nella sede dell'interruttore.
- ◆ Se il tosaerba si ferma, spegnerlo e attendere che la lama si fermi prima di tentare di sbloccare il condotto o di rimuovere qualsiasi oggetto da sotto la scocca.
- ◆ Tenere mani e piedi lontani dalla zona di taglio.
- ◆ Mantenere le lame affilate. Indossare sempre guanti di protezione quando si maneggia la lama del tosaerba.

- ◆ Se si usa il cesto raccoglierba, controllare di frequente che non sia usurato o danneggiato. Se è molto usurato, sostituirlo con uno nuovo per la propria sicurezza.
- ◆ Prestare la massima attenzione quando si procede in retromarcia o quando si tira il tosaerba verso sé stessi.
- ◆ Non mettere mani o piedi vicino o sotto al tosaerba. Tenersi sempre lontani dall'apertura dello scarico.
- ◆ Eliminare dalla zona dove deve essere usato il tosaerba corpi estranei, quali sassi, pezzi di legno, fili di ferro, giocattoli, ossa, ecc., che potrebbero essere lanciati dalla lama. Eventuali oggetti colpiti dalla lama potrebbero causare lesioni gravi alle persone. Tenersi dietro al manico quando il motore è acceso.
- ◆ Non usare il tosaerba a piedi scalzi o se si indossano sandali. Indossare sempre calzature robuste.
- ◆ Non tirare all'indietro il tosaerba, salvo nel caso in cui sia assolutamente necessario. Guardare sempre in basso e dietro di sé quando si cammina all'indietro.
- ◆ Non puntare mai il materiale scaricato verso gli astanti. Evitare di scaricare il materiale contro un muro o un ostacolo. Il materiale potrebbe rimbalzare verso l'operatore. Rilasciare la maniglia di avviamento per spegnere il tosaerba e fermare la lama quando si attraversano superfici ghiaiate.
- ◆ Non far funzionare il tosaerba se il cesto raccoglierba, la protezione dello scarico, quella posteriore o gli altri dispositivi protettivi di sicurezza non sono montati e non funzionano correttamente. Controllare periodicamente tutte le protezioni e i dispositivi di sicurezza per accertarsi che siano in buone condizioni e che funzionino correttamente, svolgendo la funzione per la quale sono stati progettati. Sostituire le protezioni o gli altri dispositivi di sicurezza danneggiati prima di continuare a usare il tosaerba.
- ◆ Non lasciare mai incustodito un tosaerba acceso.
- ◆ Rilasciare sempre la barra di sicurezza per spegnere il motore e attendere che la lama si fermi completamente prima di pulire il tosaerba, di staccare il sacco raccoglierba, di sbloccare la protezione dello scarico, quando si lascia il tosaerba incustodito o prima di eseguire qualsiasi regolazione, riparazione o ispezione.
- ◆ Usare il tosaerba solo alla luce del sole o in condizioni di buona illuminazione artificiale, in modo che sia possibile vedere chiaramente dalla posizione di guida eventuali oggetti presenti lungo il percorso della lama.
- ◆ Non utilizzare il tosaerba se ci si trova sotto l'effetto di alcol o stupefacenti oppure se si è stanchi o ammalati. Rimanere sempre vigili, prestare attenzione alle proprie azioni e usare il buon senso.
- ◆ Evitare ambienti pericolosi.

Non usare mai il tosaerba quando l'erba è umida o bagnata e sotto la pioggia. Mantenere sempre un buon equilibrio, camminare e non correre mai.

- ◆ Se il tosaerba comincia a vibrare in modo anomalo, rilasciare l'interruttore di accensione/spegnimento, attendere che la lama si arresti, e verificare immediatamente a cosa è dovuta la vibrazione. Di solito le vibrazioni segnalano dei problemi. Se si avvertono delle vibrazioni insolite, consultare la guida della Ricerca e risoluzione dei problemi.
- ◆ Indossare sempre occhiali e una mascherina di protezione idonei quando si usa il tosaerba.
- ◆ L'uso di accessori non raccomandati per l'impiego con questo tosaerba potrebbe essere pericoloso. Utilizzare esclusivamente accessori approvati da BLACK+DECKER.
- ◆ Non piegarsi mai eccessivamente in avanti quando si usa il tosaerba e mantenere sempre un buon equilibrio.
- ◆ Su di un pendio tagliare l'erba trasversalmente e mai procedendo verticalmente in su e in giù. Prestare la massima attenzione quando si cambia direzione su un pendio.
- ◆ Fare attenzione a buche, solchi, sassi o ad altri oggetti nascosti. Su un terreno irregolare è facile scivolare o cadere. L'erba alta può nascondere ostacoli.
- ◆ Non tagliare l'erba quando è bagnata o lungo pendii molto ripidi.

La perdita dell'equilibrio può far scivolare o cadere.

- ◆ Non tagliare l'erba vicino a pendii ripidi, fossati o terrapieni, dove è facile perdere l'equilibrio.
 - ◆ Lasciare che il tosaerba si raffreddi prima di metterlo via.
- Estrarre la spina dalla presa di corrente e rimuovere la batteria dal tosaerba. Assicurarsi che tutte le parti mobili siano completamente ferme
- ◆ ogni volta che si ci si allontana dal tosaerba;
 - ◆ prima di eliminare un'ostruzione;
 - ◆ prima di controllare, pulire o eseguire la manutenzione dell'elettrotensile.

Vibrazioni

I valori delle emissioni di vibrazioni dichiarati, indicati al paragrafo Dati tecnici e nella dichiarazione di conformità, sono stati misurati in base al metodo di prova standard previsto dalla normativa EN50636 e possono essere usati come parametri di confronto tra due elettrotensili. Il valore delle emissioni di vibrazioni dichiarato può anche essere usato come valutazione preliminare di esposizione.

Avvertenza! Il valore delle emissioni di vibrazioni durante l'impiego effettivo dell'elettrotensile può variare da quello dichiarato a seconda delle modalità d'uso. Il livello delle vibrazioni può aumentare oltre quello dichiarato.

Quando si valuta l'esposizione alle vibrazioni per determinare le misure di sicurezza richieste dalla normativa 2002/44/CE destinata alla protezione delle persone che utilizzano regolarmente elettrotensili per lo svolgimento delle proprie mansioni, è necessario prendere in considerazione le condizioni effettive di utilizzo e il modo in cui l'elettrotensile viene usato, oltre che tenere conto di tutte le componenti del ciclo operativo, vale a dire i periodi in cui l'elettrotensile rimane spento, quelli in cui è acceso ma fermo e quelli in cui viene effettivamente utilizzato. Non utilizzare l'elettrotensile se la vibrazione risulta anomala.

Sicurezza altrui

- ◆ Questo elettrotensile non è destinato all'uso da parte di persone (compresi i bambini) con capacità fisiche, sensoriali o mentali ridotte, o prive di esperienza e conoscenze, a meno che non siano sottoposte a sorveglianza o ricevano istruzioni riguardo all'uso dell'elettrotensile da parte di una persona responsabile della loro sicurezza.
- ◆ I bambini devono essere sorvegliati per assicurarsi che non giochino con l'elettrotensile.
- ◆ Dopo aver colpito un oggetto estraneo. Verificare che l'elettrotensile non presenti danni ed eseguire le riparazioni necessarie.

Rischi residui

L'utilizzo dell'elettrotensile può comportare rischi residui non necessariamente riportati nelle presenti avvertenze di sicurezza. Tali rischi possono insorgere a causa di un uso prolungato o improprio, ecc. Malgrado l'osservanza dei regolamenti di sicurezza e l'impiego dei dispositivi di sicurezza pertinenti, determinati rischi residui non possono essere evitati. Sono inclusi:

- ◆ lesioni causate dal contatto con parti in movimento;
- ◆ lesioni causate dal contatto con parti calde;
- ◆ lesioni causate durante la sostituzione di parti o accessori;
- ◆ lesioni causate dall'impiego prolungato dell'elettrotensile. Quando si usa l'elettrotensile per lunghi periodi, accertarsi di fare regolarmente delle pause.
- ◆ menomazioni uditive;
- ◆ rischi per la salute causati dall'aspirazione di polvere generata dall'utilizzo dell'elettrotensile (ad esempio quando si lavora con il legno, in modo particolare quello di quercia, faggio o l'MDF).
- ◆ Se l'uso del tosaerba in un luogo umido è inevitabile, utilizzare un interruttore differenziale (RCD) da non più di 30 mA. L'uso di un interruttore differenziale riduce il rischio di scossa elettrica.
- ◆ Non sollevare da terra né trasportare mai l'elettrotensile con il motore in funzione.

Simboli di avvertenza

Sull'elettrotensile sono presenti i seguenti simboli, insieme al codice data:



Avvertenza! Prima dell'uso leggere il manuale.



Non esporre l'elettrotensile alla pioggia o a un'umidità intensa.



Estrarre sempre la spina dalla presa di corrente prima di ispezionare un cavo di alimentazione danneggiato. Fare attenzione a non adoperare il tosaerba se il filo di alimentazione è danneggiato.



Prestare attenzione alle lame taglienti.



Fare attenzione agli oggetti lanciati in aria. Tenere le persone presenti lontane dalla zona di taglio.



Tenere il cavo sempre lontano dalle lame.



Le lame continuano a girare dopo lo spegnimento del tosaerba.



Livello di pressione acustica garantito ai sensi della Direttiva 2000/14/CE.

Sicurezza elettrica



Avvertenza! Il doppio isolamento di cui è provvisto l'elettrotensile rende superfluo

il filo di terra.

Assicurarsi che la tensione della rete di alimentazione corrisponda al valore indicato sulla targhetta dei valori nominali.

- ◆ In caso di danneggiamento del cavo di alimentazione, è necessario farlo riparare dal fabbricante o presso un centro assistenza BLACK+DECKER autorizzato in modo da evitare eventuali pericoli.
- ◆ La sicurezza elettrica può essere ulteriormente aumentata utilizzando un interruttore differenziale (RCD) ad alta sensibilità (da 30 mA).

Caratteristiche

Questo elettrotensile presenta alcune o tutte le seguenti caratteristiche.

1. Scatola dell'interruttore
2. Pulsante di accensione/spegnimento
3. Grilletto di azionamento
4. Parte superiore del manico
5. Parte inferiore del manico
6. Cesto raccoglierba
7. Coperchio motore
8. Impugnatura di trasporto

Assemblaggio

Avvertenza! Prima di montare l'elettrotensile, assicurarsi che sia spento e scollegato dalla presa di corrente.

Assemblaggio del cesto raccoglierba (Figg. A, B e C)
Il cesto raccoglierba deve essere assemblato prima dell'impiego ed è composto da 3 pezzi.

- ◆ Agganciare il manico (6a) nel coperchio (6b) del cesto raccoglierba (Fig. B). Il manico può essere inserito solo in un verso.
- ◆ Allineare il coperchio (6b) sulla base del cesto raccoglierba (6c). Verificare che le guide siano allineate (Fig. C)

Nota: Prestare la massima attenzione quando si allineano i 2 fermi sulla parte posteriore del cesto raccoglierba.

- ◆ Premere in giù il coperchio per fissare tutti i fermi. Iniziare dalla parte posteriore e verificare che tutti i fermi siano innestati in modo ben saldo.

Montaggio del cesto raccogliherba (Fig. D)

- ◆ Sollevare lo sportello di sicurezza posteriore (8) e posizionare il cesto raccogliherba (6) sulle linguette.

Montaggio della scatola dell'interruttore (Fig. E)

- ◆ Allineare i perni in plastica sulla scatola dell'interruttore (1) ai fori sul manico (1b), assicurandosi che la scatola dell'interruttore si trovi sul lato superiore del manico.
- ◆ Infilare completamente i perni in plastica sulla scatola dell'interruttore (1) attraverso i fori nel manico.
- ◆ Infilare il coperchio in plastica (1b) nelle guide sottili della scatola dell'interruttore (1).
- ◆ Fissare il coperchio in plastica (1b) con le 2 viti fornite in dotazione.

Montaggio della parte inferiore del manico (Fig. F)

- ◆ Infilare le estremità della parte inferiore del manico (5) nei corrispondenti fori sul tosaerba.
- ◆ Calzare completamente il manico.
- ◆ Fissare il manico con le viti (5a).

Assemblaggio della parte superiore del manico (Fig. G)

- ◆ Montare la parte superiore del manico (4) su quella inferiore (5) usando i pomelli (4a), le rondelle (4c) e le viti (4b), come illustrato in figura.

Nota: la parte superiore del manico può essere fissata in due posizioni a diversa altezza.

Accensione e spegnimento (Fig. H)

Accensione

- ◆ Premere il pulsante di accensione/spegnimento (2).
- ◆ Tirare il grilletto di azionamento (3) verso il manico.

Spegnimento

- ◆ Rilasciare il grilletto di azionamento (3).

Avvertenza! Non tentare mai di bloccare un interruttore nella posizione di accensione/avvio ("on").

Regolazione dell'altezza di taglio (Fig. I)

Avvertenza! Verificare che la lama si sia completamente arrestata e scollegare l'elettrotensile dalla presa di corrente. L'altezza di taglio viene regolata modificando l'altezza di tutte le ruote; sono disponibili 3 posizioni.

- ◆ Rimuovere il cesto raccogliherba (7).
- ◆ Capovolgere il tosaerba.
- ◆ Afferrare una ruota (24) e spingere/tirare l'asse per estrarlo dalla sede attuale.
- ◆ Spostare la ruota (24) in su/giù nella posizione successiva disponibile.

Nota: Regolare una ruota alla volta. Regolare una posizione dell'altezza alla volta.

Modalità di bordatura (Fig. J e K)

La funzionalità di taglio fino al bordo consente di tagliare l'erba fino al bordo di un muro o di una recinzione (Fig. J).

Grazie alla funzionalità di taglio fino al bordo è possibile tagliare con precisione l'erba fino al bordo del prato (Fig. K).

- ◆ Spingere il tosaerba lungo il bordo del prato, mantenendolo parallelo al bordo stesso. Assicurarsi che il bordo del tosaerba si trovi leggermente oltre il bordo del prato (Fig. K).

Sostituzione della lama (Fig. L)

Avvertenza! Verificare che la lama si sia completamente arrestata e scollegare l'elettrotensile dalla presa di corrente.

Avvertenza! Usare solo la lama di ricambio prescritta.

Avvertenza! Usare guanti da lavoro pesanti per afferrare la lama.

Rimozione della lama:

- ◆ Appoggiare l'elettrotensile di lato.
- ◆ Afferrare la lama usando dei guanti da lavoro pesanti.
- ◆ Usare una chiave da 13 mm per allentare e rimuovere il bullone della lama (10) ruotandolo in senso antiorario.
- ◆ Rimuovere la lama (9) e il bullone di fissaggio della lama (10).

Sostituzione della lama:

- ◆ Inserire la lama nell'alberino del bullone e avvitare il bullone di fissaggio della lama (10) nel relativo alberino.

Nota: Quando si monta la lama, il testo sulla lama deve essere rivolto verso l'utente.

- ◆ Serrare il bullone di fissaggio della lama (10) il più possibile a mano.
- ◆ Afferrare la lama usando dei guanti da lavoro pesanti.
- ◆ Usare una chiave da 13 mm per serrare saldamente il bullone di fissaggio della lama (10) ruotandolo in senso orario.

Taglio dell'erba (Fig. M1 e M2)

Raccomandiamo di usare il tosaerba come indicato in questo capitolo per ottenere i risultati ottimali e ridurre il rischio di tagliare il cavo di alimentazione.

- ◆ Appoggiare il grosso del cavo di alimentazione sul prato vicino al punto di partenza (posizione 1 nella Fig. M1).
- ◆ Accendere l'elettrotensile come descritto in precedenza.
- ◆ Procedere come indicato nella Fig. M1.
- ◆ Spostarsi dalla posizione 1 alla 2.
- ◆ Girare a destra e procedere verso la posizione 3.
- ◆ Girare a sinistra e spostarsi verso la posizione 4.
- ◆ Ripetere la stessa procedura se necessario.

Avvertenza! Non tosare l'erba procedendo nella direzione del cavo, come illustrato nella Fig. N2.

Affilatura della lama

Nota: il tosaerba BEMW451 utilizza una lama BLACK+DECKER (N. cat. A6305).

Mantenere affilata la lama per ottenere le migliori prestazioni del tosaerba. Una lama spuntata non taglia nettamente l'erba. Indossare occhiali di protezione idonei quando si smonta, si affila e si rimonta una lama. In circostanze normali, è di solito sufficiente affilare la lama due volte durante la stagione di taglio.

La sabbia spunta rapidamente la lama. Se il prato tagliato ha un terreno sabbioso, può essere necessaria un'affilatura più frequente.

Nota: Sostituire immediatamente la lama piegata o danneggiata.

Durante l'affilatura della lama:

- ◆ Verificare che la lama rimanga bilanciata.
- ◆ Affilare la lama in base all'angolo di taglio originale.
- ◆ Affilare i bordi su entrambe le estremità della lama, asportando quantitativi pari di materiale da entrambe le estremità.

Affilatura della lama in una morsa (Fig. N)

- ◆ Prima di rimuovere la lama, assicurarsi che la barra di sicurezza sia stata rilasciata, che la lama si sia arrestata e che il tosaerba sia scollegato dalla presa di corrente.
- ◆ Rimuovere la lama dal tosaerba (vedere le istruzioni per la rimozione e installazione della lama).
- ◆ Bloccare la lama (9) in una morsa (11).
- ◆ Indossare occhiali e guanti di protezione idonei e prestare attenzione a non tagliarsi. Limare con attenzione i fili della lama con una lima sottile (12) o con una pietra per affilare, conservando il filo originale. Verificare che la lama sia bilanciata. (vedere le istruzioni per il bilanciamento della lama).
- ◆ Sostituire la lama sul tosaerba e serrarla saldamente.

Bilanciamento della lama (Fig. O)

Controllare il bilanciamento della lama (9) infilando su un chiodo o su un cacciavite con gambo rotondo, serrati orizzontalmente in una morsa, il foro centrale della lama. Se una delle estremità della lama ruota cadendo verso il basso, affilare il bordo tagliente dell'estremità cadente. La lama è bilanciata se nessuna delle due estremità cade.

Lubrificazione

La lubrificazione non è necessaria. Non oliare le ruote, dato che sono dotate di superfici portanti in plastica che non richiedono lubrificazione.

Pulizia

Spegnere il tosaerba e attendere che la lama si sia arrestata completamente. Per pulire il tosaerba, utilizzare solamente sapone neutro e un panno umido. Pulire via l'eventuale sfalcio accumulatosi sulla parte inferiore della scocca del tosaerba. Dopo vari impieghi, controllare che tutti gli elementi di fissaggio in vista siano ben saldi.

Prevenzione della corrosione

I fertilizzanti e gli altri prodotti chimici usati in giardino contengono sostanze che velocizzano notevolmente la corrosione dei metalli. Se si taglia l'erba in zone dove sono stati usati fertilizzanti o prodotti chimici, il tosaerba deve essere pulito subito dopo l'impiego nel modo seguente: Spegnerlo il tosaerba e scollegarlo dalla presa di corrente. Strofinare tutte le parti esposte con un panno umido.

Manutenzione

Questo elettrodomestico/elettrotensile BLACK+DECKER, con o senza filo, è stato progettato per funzionare a lungo con una manutenzione minima. Per ottenere prestazioni sempre soddisfacenti occorre avere cura dell'elettrotensile e sottoporlo a pulizia periodica.

Avvertenza! Prima di eseguire interventi di manutenzione su elettrotensili con o senza filo procedere come descritto di seguito.

- ◆ Spegnerlo e scollegare l'elettrotensile dalla presa di corrente.
- ◆ Oppure scaricare completamente la batteria, se è di tipo integrale, quindi spegnerlo.
- ◆ Scollegare il caricabatterie prima di pulirlo. Il caricabatterie non richiede nessuna manutenzione, salvo una regolare pulitura.
- ◆ Pulire regolarmente le prese di ventilazione dell'elettrotensile e del caricabatterie con un pennello o con un panno morbido e asciutto.
- ◆ Il vano del motore deve essere pulito regolarmente con un panno umido. Non usare materiali abrasivi o detergenti a base di solventi.
- ◆ Usare regolarmente un raschietto non affilato per eliminare erba e sporcizia dalla parte inferiore della protezione.

Ricerca guasti

Se l'elettrotensile non dovesse funzionare correttamente, seguire le istruzioni riportate di seguito. Nel caso in cui non sia comunque possibile risolvere il problema, rivolgersi al tecnico BLACK+DECKER di zona.

Avvertenza! Prima di continuare, rilasciare la barra di sicurezza per spegnere il tosaerba e attendere che la lama si arresti.

Problema	Possibile causa	Possibile soluzione
Il tosaerba non funziona.	Il tosaerba è spento.	Accendere il tosaerba.
	Fusibile guasto/bruciato.	Sostituire il fusibile.
	Erba troppo alta.	Aumentare l'altezza di taglio e spostare il tosaerba dove l'erba è più bassa per iniziare.
	Interruttore a relè termico scattato.	Lasciare che il motore si raffreddi e aumentare l'altezza di taglio.

Problema	Possibile causa	Possibile soluzione
Il tosaerba funziona in maniera intermittente.	Interruttore a relè termico scattato.	Lasciare che il motore si raffreddi e aumentare l'altezza di taglio.
Il tosaerba non taglia con cura l'erba oppure il motore fa fatica.	Altezza di taglio troppo bassa.	Aumentare l'altezza di taglio.
	Lama di taglio non affilata.	Rimontare la lama.
	Parte inferiore del tosaerba intasata.	Controllare la parte inferiore del tosaerba e pulirla come richiesto (indossare sempre guanti da lavoro pesanti)
	Lama montata al contrario.	Rimontare correttamente la lama.

Protezione dell'ambiente



Raccolta differenziata. I prodotti e le batterie contrassegnati con questo simbolo non devono essere smaltiti con i rifiuti domestici normali.

I prodotti e le batterie contengono materiali che possono essere recuperati o riciclati, riducendo la richiesta di materie prime. Riciclare i prodotti elettrici e le batterie secondo le disposizioni locali. Ulteriori informazioni sono disponibili all'indirizzo www.2helpU.com.

Dati tecnici

		BEMW451
Tensione	V_{CA}	230
Potenza assorbita	W	1200
Regime a vuoto	min^{-1}	3500
Regolazione altezza	mm	23 - 63
Lunghezza lama	mm	320
Peso	Kg	8.33

Valore vibrazione misurata su braccio/mano:
 $= 2,5 \text{ m/s}^2$, incertezza (K) = $1,5 \text{ m/s}^2$.

Pressione sonora nella posizione dell'utilizzatore:
 L_{PA} : 78,5 dB(A); K= 4,0 dB(A)

Livello di potenza sonora L_{WA} : 93 dB(A); K= 3 dB(A)

Dichiarazione di conformità CE
DIRETTIVA MACCHINE
DIRETTIVA SULLA RUMOROSITÀ ESTERNA



Tosaerba BEMW451

Black&Decker dichiara che i prodotti descritti al paragrafo "Dati tecnici" sono conformi alle seguenti normative:
 2006/42/CE, EN 60335-1:2012 + A11:2014, EN 60335-2-77:2010

2000/14/CE, Tosaerba, $L < 50 \text{ cm}$, Allegato VI,

DEKRA Certification B.V., Utrechtseweg 1051 / P.O. Box 5185
 6825 MJ ARNHEM / 6802 ED ARNHEM Paesi Bassi.

Livello di potenza sonora in base alla Direttiva 2000/14/CE
 (Articolo 12, Allegato III, $L \leq 50 \text{ cm}$):

Livello di potenza sonora L_{WA} : 93 dB(A); K= 3 dB(A)

Livello di potenza sonora garantita L_{WA} : 96 dB(A).

Questi prodotti sono inoltre conformi alle direttive 2014/30/UE e 2011/65/UE. Per maggiori informazioni contattare Black&Decker al seguente indirizzo oppure consultare l'ultima di copertina del manuale.

Il sottoscritto è responsabile della redazione di questo documento tecnico e rilascia questa dichiarazione per conto di Black & Decker.

R. Laverick

Direttore tecnico

Black & Decker Europe, 210 Bath Road, Slough,
 Berkshire, SL1 3YD

Regno Unito

27/10/2017

Garanzia

Black&Decker è certa della qualità dei propri prodotti e offre ai consumatori una garanzia di 24 mesi dalla data di acquisto. Il presente certificato di garanzia è complementare ai diritti legali e non li pregiudica in alcun modo. La garanzia è valida sui territori degli Stati membri dell'Unione Europea o dell'EFTA (Associazione europea di libero scambio).

Per attivare la garanzia, la richiesta di intervento e riparazione in garanzia deve essere effettuata in accordo con i Termini e condizioni Black&Decker e sarà necessario presentare la prova di acquisto al venditore o all'agente di riparazione autorizzato. I Termini e condizioni della garanzia Black & Decker di 2 anni e la sede dell'agente di riparazione autorizzato più vicino sono consultabili su Internet all'indirizzo www.2helpU.com oppure è possibile contattare l'ufficio Black & Decker di zona all'indirizzo indicato in questo manuale.

Visitare il nostro sito www.blackanddecker.it per registrare il prodotto Black & Decker appena acquistato e ricevere gli aggiornamenti su nuovi prodotti e offerte speciali.

Bedoeld gebruik

De BLACK+DECKER gazonmaaier BEMW451 is ontworpen voor het maaien van gras. Dit apparaat is uitsluitend bedoeld voor consumentengebruik.

Veiligheidsinstructies

Waarschuwing! Bij apparaten voor gebruik op de netspanning moeten bepaalde elementaire voorzorgsmaatregelen, waaronder de navolgende, in acht worden genomen om het gevaar voor brand, elektrische schokken en persoonlijk letsel tot een minimum te beperken.

- ◆ Lees deze handleiding zorgvuldig door voordat u het apparaat in gebruik neemt.
- ◆ In deze handleiding wordt het bedoeld gebruik beschreven. Het gebruik van accessoires of hulpstukken of de uitvoering van handelingen anders dan in deze gebruikershandleiding worden aanbevolen, kan een risico van persoonlijk letsel geven.
- ◆ Bewaar deze handleiding zorgvuldig zodat u deze altijd nog eens kunt raadplegen.

Opleiding

- ◆ Lees de instructies zorgvuldig door. Zorg ervoor dat u vertrouwd bent met de bedieningsfuncties en met het juiste gebruik van het apparaat.
- ◆ Zorg dat het apparaat nooit wordt gebruikt door kinderen of personen die onbekend zijn met deze instructies voor het apparaat. Plaatselijke voorschriften kunnen eisen aan de leeftijd van de gebruiker stellen.

- ◆ Werk nooit met het apparaat terwijl er mensen, en vooral niet terwijl er kinderen of huisdieren dicht bij u in de buurt zijn.
- ◆ Onthoud dat de gebruiker van het apparaat verantwoordelijk is voor eventuele ongelukken of voor gevaren waaraan andere mensen of hun eigendommen worden blootgesteld.

Voorbereiding

- ◆ Draag altijd stevige schoenen en een lange broek als u de machine gebruikt. Gebruik de machine niet wanneer u open sandalen draagt of blootsvoets bent. Draag geen loshangende kleding of kleding met koordjes of bandjes.
- ◆ Inspecteer het gebied waar u met de machine aan het werk gaat grondig en verwijder alle voorwerpen die door de machine kunnen worden weggeslingerd.
- ◆ Controleer voor gebruik altijd dat het blad, de bladmoer en het maaigedeelte niet versleten of beschadigd zijn. Vervang versleten of beschadigde onderdelen tegelijkertijd zodat alles beter op elkaar afgestemd blijft. Vervang beschadigde of onleesbare etiketten.
- ◆ Controleer vóór gebruik het netsnoer en het verlengsnoer op tekenen van beschadiging of slijtage. Als het netsnoer tijdens gebruik wordt beschadigd, moet u onmiddellijk de stekker uit het stopcontact halen.

RAAK HET NETSNOER IN DAT GEVAL PAS AAN WANNEER DE STEKKER UIT HET STOPCONTACT IS.

Gebruik de machine niet als het netsnoer beschadigd of versleten is.

- ◆ Draag een veiligheidsbril of een stofbril wanneer u met dit gereedschap werkt. Gebruik een gezichts- of stofmasker als u in een stoffige omgeving werkt. Draag gehoorbeschermers als het geluidsniveau onaangenaam is.
- ◆ Bescherming tegen elektrische schok. Vermijd aanraking met geaarde oppervlakken (bijv. metalen relingen, lantaarnpalen, enz.).

Bediening

- ◆ Gebruik de machine nooit met defecte beschermingsplaten of -kappen of zonder dat veiligheidsvoorzieningen, zoals deflectors en/of grasvangers zijn aangebracht.
- ◆ Gebruik het apparaat alleen bij daglicht of goed kunstlicht.
- ◆ Stel de machine niet bloot aan regen. Gebruik het apparaat niet in vochtige of natte omstandigheden. Gebruik het apparaat bij voorkeur niet op nat gras.
- ◆ Zorg dat u stevig staat, met name op hellingen. Bedenk dat vers gemaaid gras vochtig en glad is. Werk niet op steile hellingen.
- ◆ Werk dwars over het vlak van een helling, nooit omhoog en omlaag. Ga zeer voorzichtig te werk wanneer u op een helling van richting verandert.
- ◆ Maai uitzonderlijk steile hellingen niet.

- ◆ Loop tijdens het gebruik van de machine, ren nooit. Trek het apparaat niet naar u toe en loop niet achteruit wanneer u het apparaat gebruikt.
- ◆ Zet de machine aan volgens de instructies en met uw voeten een stuk van het blad vandaan.
- ◆ Zorg dat u zich bij het starten van de machine niet voor de uitlaat bevindt.
- ◆ Kantel de machine niet terwijl u deze aanzet, behalve wanneer de machine moet worden gekanteld om deze te starten. Kantel het apparaat in dat geval niet meer dan absoluut noodzakelijk is en til alleen het gedeelte op dat uit de buurt van de gebruiker is. Zorg er altijd voor dat u het apparaat pas weer terugzet op de grond wanneer beide handen in de bedieningspositie zijn.
- ◆ Schakel de machine uit en wacht tot de rol met scherpe bladen niet meer draait als de machine voor transport moet worden gekanteld wanneer u andere oppervlakken dan gras oversteekt en als u de machine van en naar het te maaien gebied transporteert.
- ◆ Til of draag de machine niet voordat het blad helemaal tot stilstand is gekomen.
- ◆ Blijf met uw handen en voeten een stuk uit de buurt van het blad.
- ◆ Kom niet met uw handen of voeten in de buurt van of onder draaiende onderdelen.

- ◆ Blijf te allen tijde uit de buurt van uitwerpopeningen.
- ◆ Schakel de machine uit, verwijder de stekker uit het stopcontact en controleer of bewegende delen niet meer draaien voordat u de machine buiten uw toezicht achterlaat en voordat u wijzigingen, reinigingswerkzaamheden of inspecties aan het de machine uitvoert of een blokkade opheft. Nadat u een vreemd object hebt geraakt. Inspecteer de machine op beschadigingen en repareer deze voordat u de machine opnieuw start en gebruikt;
- ◆ Als de machine abnormaal begint te trillen of als u een vreemd voorwerp hebt geraakt, schakelt u de machine uit en verwijdert u de stekker uit het stopcontact. Controleer de machine op beschadigingen, vervang of repareer beschadigde onderdelen, controleer of er onderdelen loszitten en draai deze vast.
- ◆ Zorg ervoor dat het netsnoer uit de buurt van het blad blijft. Zorg ervoor dat u altijd weet waar het snoer zich bevindt.
- ◆ De motor blijft nog een paar seconden draaien nadat u de machine hebt uitgeschakeld. Probeer nooit zelf het blad tot stilstand te brengen.

Controleer of bewegende delen correct functioneren en niet vastklemmen, of onderdelen gebroken zijn, of beschermplaten en schakelaars zijn beschadigd en controleer of er andere omstandigheden zijn waardoor de werking van de machine nadelig wordt beïnvloed. Zorg ervoor dat de machine goed werkt en doet waarvoor deze is ontworpen. Gebruik de machine nooit als een beschermingsplaat of omhulsel is beschadigd of ontbreekt. Werk niet met het apparaat als een onderdeel beschadigd is of defect. Werk niet met het apparaat als de schakelaar defect is.

- Laat beschadigde of defecte onderdelen door een erkende reparateur repareren of vervangen.
- ◆ Controleer het snoer regelmatig op beschadiging. Als het snoer is beschadigd, moet het worden vervangen door een van onze servicecentra, zodat gevaarlijke situaties worden voorkomen. Controleer verlengsnoeren regelmatig. Vervang een beschadigd verlengsnoer onmiddellijk.
 - ◆ Zorg ervoor dat alle moeren, bouten en schroeven van de machine goed zijn aangedraaid zodat u veilig kunt werken.
 - ◆ Controleer de grasopvang op slijtage of beschadigingen en vervang onderdelen indien nodig. Gebruik de machine nooit zonder de grasopvang.

Onderhoud en opslag

- ◆ Controleer het apparaat vóór gebruik op beschadigingen en defecten.

- ◆ Zorg dat uw vingers bij het uitvoeren van aanpassingen aan de machine niet klem komen te zitten tussen bewegende en vaste delen.
- ◆ Onthoud dat bij het verrichten van onderhoud de bladen kunnen bewegen, ook al is de machine uitgeschakeld.
- ◆ Bewaar het apparaat na gebruik op een droge plaats. Berg apparaten op buiten bereik van kinderen.
- ◆ Laat de machine afkoelen voordat u deze opbergt.
- ◆ Zorg ervoor dat bij vervanging alleen snijmiddelen van het juiste type worden gebruikt.
- ◆ Gebruik uitsluitend door BLACK+DECKER aanbevolen reserveonderdelen en accessoires.

Aanvullende veiligheidsinstructies voor gazonmaaiers

- ◆ Gebruik altijd een goedgekeurd verlengsnoer dat geschikt is voor het ingangsvermogen van dit apparaat (zie de technische gegevens). Het verlengsnoer moet geschikt zijn voor gebruik buitenshuis en dat moet erop zijn vermeld. Er kan een HO5VV-F verlengsnoer van 1,5 mm² van maximaal 30 m lang worden gebruikt zonder dat de prestaties van het apparaat afnemen. Controleer het verlengsnoer vóór gebruik op tekenen van beschadiging, slijtage of veroudering. Vervang het verlengsnoer als het beschadigd of defect is.

Rol het snoer altijd volledig af, wanneer u een haspel gebruikt.

- ◆ Vervoer de machine niet terwijl de stroomvoorziening is ingeschakeld
 - ◆ Houd de handgreep stevig met beide handen vast wanneer u met de gazonmaaier werkt.
 - ◆ Als de gazonmaaier op enig moment moet worden gekanteld, zorg er dan voor dat tijdens het kantelen beide handen in de werkpositie blijven. Houd beide handen in de werkpositie tot de gazonmaaier weer goed op de grond staat.
 - ◆ Draag nooit een hoofdtelefoon voor radio of muziek wanneer u de gazonmaaier bedient.
 - ◆ Probeer nooit de wielhoogte aan te passen terwijl de motor draait of terwijl de veiligheidssleutel zich in de behuizing van de schakelaar bevindt.
 - ◆ Schakel de gazonmaaier als deze vastloopt, uit door de handgreep los te laten, wacht tot het maaiblad tot stilstand komt, en probeer vervolgens pas de blokkering van de uitwerpopening te verwijderen of iets van onder de maaier weg te halen.
 - ◆ Blijf met uw handen en voeten uit de buurt van het snijgebied.
 - ◆ Houd zaagbladen scherp.
- Draag altijd handschoenen bij het hanteren van het maimes van de gazonmaaier.
- ◆ Als u de grasopvang gebruikt, moet u deze regelmatig controleren op slijtage en beschadigingen.

Als de grasopvang ernstig is versleten, moet u deze voor uw eigen veiligheid vervangen.

- ◆ Ga zeer voorzichtig te werk wanneer u de gazonmaaier achteruit laat rijden of naar u toe trekt.
- ◆ Kom niet met uw handen of voeten bij of onder de gazonmaaier. Blijf altijd uit de buurt van uitwerpopening.
- ◆ Maak het gebied waar u de gazonmaaier gaat gebruiken vrij van voorwerpen zoals stenen, stokken, draad, speelgoed, botten, enz. Deze kunnen door het blad worden weggeslingerd. Voorwerpen die door het blad worden geraakt, kunnen ernstige verwondingen toebrengen aan personen. Blijf achter de handgreep wanneer de motor draait.
- ◆ Werk niet met de gazonmaaier op blote voeten en niet wanneer u sandalen draagt. Draag altijd stevig schoeisel.
- ◆ Trek de gazonmaaier alleen achteruit wanneer dat niet anders kan. Kijk altijd omlaag en achter u voordat en terwijl u achteruit loopt.
- ◆ Richt uitgeworpen materiaal niet op anderen. Zorg ervoor dat uitgeworpen materiaal niet tegen een muur of obstakel komt. Het materiaal kan terugkaatsen naar de gebruiker. Schakel, wanneer u op grindoppervlakken stuit, de gazonmaaier uit door de handgreep los te laten, en laat het blad tot stilstand komen.
- ◆ Gebruik de gazonmaaier niet zonder dat de volledige grasopvang, het uitwerpschild, de achterste beschermkap en andere veiligheidsvoorzieningen op hun plaats zitten en goed functioneren. Controleer regelmatig dat alle beschermkappen en veiligheidsvoorzieningen in goede staat zijn, dat ze de functie vervullen waarvoor ze zijn bedoeld. Vervang een beschadigde beschermkap of andere veiligheidsvoorziening voordat u de gazonmaaier weer gebruikt.
- ◆ Laat een ingeschakelde gazonmaaier nooit onbeheerd achter.
- ◆ Voordat u de gazonmaaier reinigt, de grasopvangzak verwijdert, het uitwerpschild vrijmaakt, de gazonmaaier onbeheerd achterlaat of aanpassingen, reparaties of inspecties uitvoert, moet u altijd de handgreep loslaten zodat de gazonmaaier wordt uitgeschakeld en moet u wachten tot het blad tot stilstand is gekomen.
- ◆ Gebruik de gazonmaaier alleen bij daglicht of goed kunstlicht, wanneer voorwerpen op de route van het maaiblad duidelijk zichtbaar zijn voor wie met de gazonmaaier werkt.
- ◆ Werk niet met de gazonmaaier wanneer u onder invloed bent van alcohol of drugs, of wanneer u moe bent of ziek. Blijf altijd goed opletten, kijk wat u doet en gebruik uw gezond verstand.
- ◆ Vermijd gevaarlijke omgevingen.

Gebruik de gazonmaaier nooit in vochtig of nat gras en nooit wanneer het regent. Zet altijd uw voeten goed neer, wandel en ren nooit.

- ◆ Laat, als de gazonmaaier ernstig gaat trillen, de handgreep los, wacht tot het blad tot stilstand is gekomen en onderzoek vervolgens onmiddellijk wat de oorzaak van het trillen is. Trillen is over het algemeen een waarschuwing voor problemen. Zie het hoofdstuk Problemen oplossen voor advies in het geval van abnormale trilling.
- ◆ Draag altijd goede bescherming voor uw ogen en luchtwegen wanneer u met de gazonmaaier werkt.
- ◆ Gebruikt u hulpstukken die niet worden aanbevolen voor deze gazonmaaier, dan kan dat leiden tot gevaarlijke situaties. Gebruik uitsluitend accessoires die zijn goedgekeurd door BLACK+DECKER.
- ◆ Reik nooit buiten uw macht tijdens het werken met de gazonmaaier. Zorg er altijd voor dat u stevig staat en dat u niet uw evenwicht verliest tijdens het werken met de gazonmaaier.
- ◆ Maai dwars over het vlak van een helling, nooit omhoog en omlaag. Ga zeer voorzichtig te werk wanneer u op een helling van richting verandert.
- ◆ Pas op voor gaten, geulen, hobbels, stenen of andere verborgen voorwerpen. Op oneffen terrein kunt u uitglijden en vallen. Hoog gras kan obstakels verbergen.
- ◆ Maai niet op nat gras of zeer steile hellingen.

Als u niet stevig staat, kunt u uitglijden en vallen.

- ◆ Maai niet in de buurt van steile hellingen, sloten of kades. U zou kunnen uitglijden of uw evenwicht verliezen.
- ◆ Laat de maaier afkoelen voordat u deze opbergt.

Trek de stekker uit het stopcontact en haal de accu uit de machine. Controleer dat alle bewegende onderdelen volledig tot stilstand zijn gekomen:

- ◆ Wanneer u maar de machine onbeheerd achterlaat;
- ◆ Voordat u een blokkade verwijdert;
- ◆ Voordat u het apparaat controleert, reinigt of eraan werkt.

Trillingen

De aangegeven waarden voor trillingsemissie in de technische gegevens en de conformiteitverklaring, zijn gemeten conform een standaardtestmethode die door EN50636 wordt verstrekt. Hiermee kan het ene gereedschap met het andere worden vergeleken. De aangegeven waarde voor trillingsemissie kan ook worden gebruikt bij een voorlopige beoordeling van blootstelling.

Waarschuwing! De waarde voor trillingsemissie tijdens het werkelijke gebruik van het elektrisch gereedschap kan verschillen van de aangegeven waarde afhankelijk van de manieren waarop het gereedschap wordt gebruikt. Het trillingsniveau kan toenemen tot boven het aangegeven niveau.

Bij beoordeling van de blootstelling aan trillingen met het doel vast te stellen welke veiligheidsmaatregelen 2002/44/EG vereist ter bescherming van personen die tijdens hun werk regelmatig elektrisch gereedschap gebruiken, moet bij een inschatting van de blootstelling aan trillingen rekening worden gehouden met de werkelijke gebruiksomstandigheden en de manier waarop het gereedschap wordt gebruikt. Daarbij moet ook rekening worden gehouden met alle onderdelen van de bedrijfscyclus, zoals wanneer het gereedschap wordt uitgeschakeld en wanneer het gereedschap stationair loopt en ook de aanlooptijd.

Werk niet met het gereedschap als het abnormaal trilt.

Veiligheid van anderen

- ◆ Het is niet de bedoeling dat het apparaat wordt gebruikt door personen (waaronder kinderen) met verminderde fysieke, sensorische of psychische vermogens, of door personen die het ontbreekt aan ervaring en kennis, tenzij onder toezicht en na instructie over het gebruik van het apparaat door iemand die verantwoordelijk is voor hun veiligheid.
- ◆ Er moet toezicht worden gehouden op kinderen zodat zij niet met het gereedschap kunnen spelen.
- ◆ Nadat u een vreemd object hebt geraakt. Inspecteer het apparaat op beschadigingen en voer reparaties uit als dat nodig is.

Overige risico's

Er kunnen zich bij het gebruik van dit gereedschap nog meer risico's voordoen, die mogelijk niet in de bijgesloten veiligheidswaarschuwingen worden beschreven. Deze

risico's kunnen zich voordoen bij verkeerd of langdurig gebruik, enz. Ook als de geldende veiligheidsvoorschriften worden gevolgd en de juiste veiligheidsvoorzieningen worden getroffen, kunnen bepaalde risico's niet worden uitgesloten. Dit zijn onder meer:

- ◆ Verwondingen die worden veroorzaakt door het aanraken van bewegende onderdelen.
- ◆ Verwondingen die worden veroorzaakt door het aanraken van warme onderdelen.
- ◆ Verwondingen die worden veroorzaakt bij het vervangen van onderdelen of accessoires.
- ◆ Verwondingen die worden veroorzaakt door langdurig gebruik van het apparaat. Wanneer u het apparaat gedurende langere perioden gebruikt, is het belangrijk dat u de werkzaamheden regelmatig onderbreekt.
- ◆ Gehoorbeschadiging.
- ◆ Gezondheidsrisico's als gevolg van het inademen van stof dat door gebruik van het gereedschap wordt veroorzaakt (bijvoorbeeld tijdens het werken met hout, met name eiken, beuken en MDF).

- ◆ Gebruik, als u met de gazonmaaier op een vochtige locatie moet werken, een aardlekschakelaar (Residual Current Device - RCD) met een uitschakelstroom van niet meer dan 30 mA. Het gebruik van een aardlekschakelaar vermindert het risico van een elektrische schok.
- ◆ Til nooit een apparaat op of draag nooit een apparaat terwijl de motor loopt.



Nadat u de machine hebt uitgeschakeld, blijven de bladen nog even draaien.



Richtlijn 2000/14/EG gegarandeerd geluidsvermogen.

Elektrische veiligheid



Waarschuwing! Dit gereedschap is dubbel geïsoleerd, daarom is een aardeaansluiting niet vereist. Controleer altijd of de stroomvoorziening overeenkomt met de voltage op het typeplaatje.

- ◆ Als het netsnoer is beschadigd, moet het worden vervangen door de fabrikant of een BLACK+DECKER-servicecentrum zodat gevaarlijke situaties worden voorkomen.
- ◆ Verhoog de elektrische veiligheid eventueel verder met behulp van een hooggevoelige 30 mA reststroomschakelaar (RCD).

Functies

Dit apparaat heeft enkele van de volgende functies of allemaal.

1. Schakeldoos
2. Aan/Uit-knop
3. Startschakelaar
4. Bovenste handgreep
5. Onderste handgreep
6. Grasopvangbak
7. Motorkap
8. Draaghandgreep

Waarschuwingssymbolen

Behalve de datumcode vindt u op de machine de volgende symbolen:



Waarschuwing! Lees de handleiding voordat u met de machine gaat werken.



Stel het apparaat niet bloot aan regen of een hoge luchtvochtigheid.



Trek altijd de stekker uit het stopcontact voordat u een beschadigd snoer inspecteert. Gebruik de machine niet als de kabel is beschadigd.



Pas op voor de scherpe messen.



Wees bedacht op voorwerpen die worden weggeslingerd. Houd omstanders uit de buurt van uw werkgebied.



Houd het snoer uit de buurt van de maaibladen.

Montage

Waarschuwing! Controleer voor aanvang van de montage dat het apparaat is uitgeschakeld en de netstekker uit het stopcontact is getrokken.

Montage van de grasopvangbak (afb. A, B en C)

De grasopvangbak wordt geleverd in 3 gedeelten en moet vóór gebruik in elkaar worden gezet.

- ◆ Haak de handgreep (6a) in de klep (6b) van de opvangbak (afb. B). De handgreep past maar op één manier.
- ◆ Plaats de klep (6b) op de grasopvangbak (6c). Let erop dat de geleiders naast elkaar liggen (afb. C)

Opmerking: Let extra goed op bij het uitlijnen van de 2 klemmen aan de achterzijde van de grasopvangbak.

- ◆ Druk op de klep zodat alle klemmen goed vast komen te zitten. Controleer, te beginnen aan de achterzijde, dat alle klemmen goed op hun plaats zitten.

De grasopvangbak plaatsen (afb. D)

- ◆ Til de grasflap (8) op en plaats de grasopvangbak (6) over de bevestigingsnokken.

De schakeldoos plaatsen (afb. E)

- ◆ Plaats de kunststof pennen van de schakeldoos (1) recht boven de openingen op de handgreep (1b) en let erop dat de schakeldoos aan de bovenkant van de handgreep zit.
- ◆ Schuif de kunststof pennen op de schakeldoos (1) zo ver mogelijk in de openingen op de handgreep.
- ◆ Schuif de kunststof kap (1b) in smalle runners in de schakeldoos (1).
- ◆ Bevestig de kunststof kap (1b) met de 2 meegeleverde schroeven

De onderste handgreep plaatsen (afb. F)

- ◆ Duw de uiteinden van de onderste handgreep (5) in de bijbehorende gaten in de maaier.
- ◆ Duw de handgreep zo ver mogelijk naar beneden.
- ◆ Bevestig de handgreep met de schroeven (5a).

De bovenste handgreep monteren (afb. G)

- ◆ Plaats met de knoppen (4a), ringen (4c) en schroeven (4b) de bovenste handgreep (4) op de onderste handgreep (5), als wordt getoond.

Opmerking: De bovenste handgreep kan op 2 verschillende posities worden gemonteerd.

In- en uitschakelen (Afb. H)

Inschakelen

- ◆ Duw op de aan/uit-knop (2).
- ◆ Trek de startschakelaar (3) naar de handgreep toe.

Uitschakelen

- ◆ Laat de startschakelaar (3) los.

Waarschuwing! Probeer nooit een schakelaar in de ingeschakelde stand te vergrendelen.

De maaihogte instellen (afb. I)

Waarschuwing! Let erop dat het blad volledig tot stilstand is gekomen en koppel de machine los van de stroomvoorziening. De maaihogte kan worden aangepast door de hoogte van de wielen te verstellen, u kunt kiezen uit 3 verschillende hoogtes.

- ◆ Verwijder de grasopvangbak (7).
- ◆ Leg de gazonmaaier ondersteboven.
- ◆ Pak een van de wielen (24) en duw/trek de as van zijn plaats.
- ◆ Verplaats het wiel (24) omhoog/omlaag naar de volgende beschikbare positie.

Opmerking: Pas de wielen een voor een aan. Verstel het wiel met een positie tegelijk.

Randafwerking (afb. J, K)

Met randafwerking kunt u het gras maaien tot aan de rand van een muur of schutting (afb. J). Met randafwerking kunt u ook de randen van uw gazon netjes maaien (afb. K).

- ◆ Duw de gazonmaaier parallel aan de rand langs de omtrek van het gazon. Zorg ervoor dat de rand van de gazonmaaier iets over de rand van uw gazon uitsteekt (afb. K).

Het blad vervangen (afb. L)

Waarschuwing! Let erop dat het blad volledig tot stilstand is gekomen en koppel het apparaat los van de stroomvoorziening.

Waarschuwing! Gebruik uitsluitend het opgegeven vervangingsblad.

Waarschuwing! Pak het blad vast met stevige handschoenen.

Het blad verwijderen:

- ◆ Leg de machine op de zijkant.
- ◆ Pak het blad vast en gebruik daarbij stevige handschoenen.
- ◆ Draai de bout (10) van het maaiblad met een steeksleutel van 13 mm naar links los en verwijder de bout.
- ◆ Neem het blad (9) en de bout (10) van het blad los.

Het blad vervangen:

- ◆ Plaats het blad over de boutas en plaats de moer (10) van het blad in de boutas.

Opmerking: Wanneer u een blad monteert, moet de tekst op het blad naar u toe gericht staan.

- ◆ Draai de bout (10) van het blad zo stevig mogelijk met de hand vast.
- ◆ Pak het blad vast en gebruik daarbij stevige handschoenen.
- ◆ Draai met een steeksleutel van 13 mm de bout (10) van het blad naar rechts vast.

Maaien (afb. M1 & M2)

We raden u aan uw maaier te gebruiken zoals beschreven in dit gedeelte, zodat u optimale resultaten behaalt en het risico op doorsnijden van het netsnoer wordt beperkt.

- ◆ Leg het grootste deel van het netsnoer op het gazon, dicht bij het beginpunt (positie 1 in afb. M1).
- ◆ Schakel de machine in zoals hierboven wordt beschreven.
- ◆ Ga door als wordt getoond in afb. M1
- ◆ Loop van positie 1 naar positie 2.
- ◆ Sla rechtsaf en loop naar positie 3.
- ◆ Sla linksaf en loop naar positie 4.
- ◆ Herhaal bovenstaande procedure waar nodig.

Waarschuwing! Werk niet in de richting van het snoer, als wordt getoond in afb. N2.

Maaimessen slijpen

Opmerking: De BEMW451 maakt gebruik van het BLACK+DECKER-blad (Cat nr. A6305). Houd het maimes scherp zodat de maaimachine optimaal kan presteren. Een bot maimes snijdt het gras niet goed af. Draag geschikte oogbescherming wanneer u een maimes verwijdert, slijpt en installeert. Onder normale omstandigheden is tweemaal slijpen tijdens een maaiseizoen wel voldoende. Zand zorgt ervoor dat het blad snel bot wordt. Als uw gazon zanderige aarde heeft, zult u het blad misschien vaker moeten slijpen.

Opmerking: Vervang een verbogen of beschadigd maaiblad direct.

Bij het slijpen van het maaiblad:

- ◆ Controleer dat het maaiblad in balans blijft.
- ◆ Slijp het maaiblad onder de oorspronkelijke maaioek.
- ◆ Slijp de snijkanten aan beide zijden van het maaiblad en verwijder gelijke hoeveelheden materiaal van beide zijden.

Blad slijpen in een bankschroef (afb. N)

- ◆ Verwijder pas het maaiblad, nadat u hebt gecontroleerd dat het maaiblad tot stilstand is gekomen en de stekker uit het stopcontact is gehaald.
- ◆ Verwijder het maaiblad van de maaimachine. Zie instructies voor het verwijderen en installeren van het maaiblad.
- ◆ Zet het maaiblad (9) vast in een bankschroef (11).
- ◆ Draag geschikte oogbescherming en handschoenen en wees voorzichtig dat u zich niet snijdt. Vijl de snijranden van het blad voorzichtig met een fijngetande vijl (12) of een slijpsteen, houd de hoek van de oorspronkelijke snijrand aan. Controleer de balans van het maaiblad. Zie de instructies voor het uitbalanceren van het maaiblad.
- ◆ Plaats het maaiblad weer op de maaimachine en zet het stevig vast.

Uitbalanceren van het maaiblad (afb. O)

Controleer de balans van het blad (9) door het middengat in het blad op een spijker of de ronde steel van een schroevendraaier te plaatsen die horizontaal in een bankschroef is geklemd. Als een uiteinde van het zaagblad omlaag draait, vijl dan langs de scherpe rand van dat omlaag draaiende gedeelte. Het maaiblad is goed uitbalanceerd wanneer geen van de uiteinden omlaag draait.

Smering

Smeren is niet nodig. Olie de wielen niet. Ze hebben kunststof lageroppervlakken waar geen smering voor nodig is.

Reiniging

Schakel de maaimachine uit en laat het blad tot stilstand komen. Reinig de maaimachine met alleen een milde zeepoplossing en een vochtige doek. Verwijder grasresten die zich aan de onderzijde van de maaier hebben verzameld. Controleer na meerdere malen gebruiken dat alle blootstelde bevestigingen nog wel vast zitten.

Roest voorkomen

Meststoffen en andere tuinchemicaliën bevatten stoffen die de roestvorming van metalen sterk versnellen. Als u op plaatsen maait waar meststoffen of andere chemicaliën zijn gebruikt, moet de maaier daarna onmiddellijk als volgt worden gereinigd:

Schakel de maaimachine uit en trek de stekker uit het stopcontact. Neem alle blootgestelde onderdelen af met een vochtige doek.

Onderhoud

Uw BLACK+DECKER-machine/-gereedschap (met netsnoer/snoerloos) is ontworpen om gedurende langere tijd te functioneren met een minimum aan onderhoud. U kunt de maaimachine naar volle tevredenheid blijven gebruiken als u voor correct onderhoud zorgt en de machine regelmatig schoonmaakt.

Waarschuwing! Ga altijd als volgt te werk voor u onderhoud aan het elektrisch gereedschap (met snoer/snoerloos) uitvoert:

- ◆ Schakel de machine/het apparaat uit en neem de veiligheidssleutel en de accu uit.
- ◆ Maak de accu helemaal leeg, als de accu is ingebouwd en schakel de machine uit.
- ◆ Trek de stekker van de lader uit het stopcontact voordat u de lader schoonmaakt. Behalve regelmatige reiniging vraagt de lader geen onderhoud.
- ◆ Reinig regelmatig de ventilatieopeningen van het gereedschap/de machine en de lader met een zachte borstel of droge doek.
- ◆ Reinig de behuizing van de motor regelmatig met een vochtige doek.

Gebruik niet een schurend schoonmaakmiddel of een schoonmaakmiddel op basis van een oplosmiddel.

- ◆ Schraap regelmatig met een botte krabber gras en vuil van onder de beschermkap.

Problemen oplossen

Ga te werk volgens onderstaande instructies, als de machine niet goed lijkt te functioneren. Neem contact op met het BLACK+DECKER-servicecentrum bij u in de buurt, als u het probleem niet kunt verhelpen.

Waarschuwing! Laat voordat u verder gaat, de handgreep voor in-/uitschakelen los, wacht tot het maaiblad tot stilstand is gekomen.

Probleem	Mogelijke oorzaak	Mogelijke oplossing
Machine werkt niet goed.	Machine is uitgeschakeld.	Schakel de machine in.
	Zekering kapot/gesprongen.	Vervang de zekering.
	Gras is te lang.	Pas de maaihogte naar boven aan en ga eerst naar een deel van het gazon waar het gras korter is.
	Thermische beveiliging geactiveerd.	Laat de motor afkoelen en pas de maaihogte naar boven aan.
De machine hapert.	Thermische beveiliging geactiveerd.	Laat de motor afkoelen en pas de maaihogte naar boven aan.
Machine maait onregelmatig of motor wordt zwaar belast.	Maaihogte te laag ingesteld.	Stel de maaihogte hoger af.
	Maaiblad is bot.	Vervang het blad.
	Machine aan onderzijde aangekoekt.	Controleer de onderzijde van de machine en reinig deze, indien nodig (draag altijd stevige handschoenen)
	Blad is ondersteboven gemonteerd.	Monteer het blad op de juiste wijze.

Het milieu beschermen



Gescheiden afvalinzameling. Producten en accu's waarop dit symbool is aangebracht, mogen niet bij het normale huishoudafval worden weggegooid.

Producten en accu's bevatten materialen die kunnen worden teruggewonnen of gerecycled, wat de vraag naar grondstoffen doet afnemen. Recycle elektrische producten en accu's volgens de ter plaatse geldende bepalingen. Nadere informatie is beschikbaar op www.2helpU.com

Technische gegevens

		BEMW451
Spanning	V _{AC}	230
Vermogen	W	1200
Onbelaste snelheid	min ⁻¹	3500
Hoogteafstelling	mm	23 - 63
Bladlengte	mm	320
Gewicht	Kg	8.33

Waarde gewogen trilling hand/arm:
= 2,5m/s², onzekerheid (K) = 1,5m/s².

Geluidsdruk niveau bij het oor van de gebruiker:
L_{PA}: 78,5dB(A); K= 4,0dB(A)

Niveau geluidsvermogen L_{WA}: 93dB(A); K= 3dB(A)

EG conformiteitsverklaring RICHTLIJN VOOR MACHINES RICHTLIJN VOOR GELUID BUITENSHUIS



BEMW451 gazonmaaier

Black & Decker verklaart dat de producten die worden beschreven onder 'Technische gegevens', voldoen aan:
2006/42/EC, EN 60335-1:2012 + A11:2014,
EN 60335-2-77:2010
2000/14/EC, Gazonmaaier, L < 50cm, Bijlage VI,

DEKRA Certification B.V. Meander 1051 / Postbus. 5185
6825 MJ ARNHEM / 6802 ED ARNHEM Nederland.
Niveau van akoestisch vermogen volgens 2000/14/EG (Artikel 12, bijlage III, L ≤ 50cm):
gemeten niveau geluidsvermogen L_{WA}: 93dB(A); K= 3dB(A).
gegarandeerd niveau geluidsvermogen L_{WA}: 96dB(A).

Deze producten voldoen tevens aan richtlijn 2014/30/EU en 2011/65/EU. Neem voor meer informatie contact op met Black & Decker op het volgende adres of raadpleeg de achterzijde van de handleiding.

Ondergetekende is verantwoordelijk voor de samenstelling van het technische bestand en legt deze verklaring af namens Black & Decker.



R. Laverick
Director of Engineering
Black & Decker Europe, 210 Bath Road, Slough,
Berkshire, SL1 3YD
Verenigd Koninkrijk
27-10-2017

Garantie

Black & Decker heeft vertrouwen in zijn producten en biedt consumenten een garantie van 24 maanden vanaf de aankoopdatum. Deze garantie vormt een aanvulling op uw wettelijke rechten en beperken deze niet. De garantie is geldig op het grondgebied van de Lidstaten van de Europese Unie en de Europese Vrijhandelszone.

Voor een garantie-aanspraak moet uw aanspraak in overeenstemming zijn met de Voorwaarden en Condities van Black & Decker en moet u een bewijs van aankoop overleggen aan de verkoper of aan een geautoriseerde reparatiemonteur. Voorwaarden en condities van de 2-jarige garantie van Black & Decker en het adres van de vestiging van het geautoriseerde reparatiecentrum bij u in de buurt, kunt u vinden op internet op www.2helpU.com, of door contact op te nemen met het Black & Decker-kantoor ter plaatse, op het adres dat in deze handleiding wordt vermeld.

Bezoek onze website www.blackanddecker.nl, waar u uw nieuwe Black & Decker-product kunt registreren en informatie kunt verkrijgen over nieuwe producten en speciale aanbiedingen.

Uso previsto

El cortacésped BLACK+DECKER BEMW451 ha sido diseñado para cortar hierba. Este aparato ha sido diseñado únicamente para uso doméstico.

Instrucciones de seguridad

Advertencia. Al utilizar aparatos eléctricos, es necesario seguir las precauciones de seguridad básicas, incluidas las que se indican a continuación, para reducir el riesgo de incendios, electrocución y lesiones.

- ◆ Lea todo el manual detenidamente antes de utilizar el aparato.
- ◆ En este manual se describe el uso para el que se ha diseñado el aparato. La utilización de accesorios o la realización de operaciones distintas a las recomendadas en este manual de instrucciones puede conllevar un riesgo de lesiones.
- ◆ Conserve este manual para futuras consultas.

Consejos

- ◆ Lea detenidamente estas instrucciones. Familiarícese con los controles y el uso correcto del aparato.
- ◆ Nunca permita que los niños ni las personas no familiarizadas con estas instrucciones utilicen el aparato. Las normativas locales pueden restringir la edad del usuario.
- ◆ Nunca utilice la máquina si otras personas, especialmente niños o mascotas, se encuentran cerca.

- ◆ Recuerde que el operador o el usuario serán responsables de los accidentes y las situaciones peligrosas que puedan sufrir las personas que se encuentren alrededor o sus propiedades.

Preparación

- ◆ Cuando utilice el aparato lleve siempre calzado y pantalones largos resistentes. No utilice el aparato si va descalzo o con sandalias. Evite llevar ropa holgada o que tenga cordones o lazos colgantes.
- ◆ Examine a fondo el área donde vaya a utilizar el aparato y retire todos los objetos que el aparato podría expulsar.
- ◆ Antes de utilizar este aparato, compruebe siempre que la hoja, el perno de la hoja y el montaje de la hoja no están desgastados o dañados. Sustituya las piezas desgastadas o dañadas por conjuntos para mantener el equilibrio. Sustituya las etiquetas dañadas o ilegibles.
- ◆ Antes de utilizar el aparato, compruebe que el cable de alimentación y el cable de extensión no estén dañados o gastados. Si se daña el cable mientras utiliza el producto, desconecte el cable de la red eléctrica inmediatamente. **NO TOQUE EL CABLE SIN HABERLO DESCONECTADO PREVIAMENTE DE LA RED ELÉCTRICA.** No utilice el aparato si el cable está dañado o desgastado.

- ◆ Cuando utilice la herramienta, lleve siempre gafas protectoras. Utilice una mascarilla protectora cuando trabaje en lugares de mucho polvo. Se debería proteger el oído siempre que el nivel de ruido resulte molesto.
- ◆ Protéjase contra la electrocución. Evite el contacto del cuerpo con superficies conectadas a masa o tierra (por ejemplo verjas metálicas, farolas, etc.).

Funcionamiento

- ◆ No utilice el aparato con protecciones defectuosas o sin dispositivos de seguridad como, por ejemplo, deflectores o recogedores de césped.
- ◆ Utilice el aparato únicamente a la luz del día o con iluminación artificial adecuada.
- ◆ No exponga el aparato a la lluvia. No utilice el aparato en condiciones de humedad y evite que penetren líquidos en su interior. Se recomienda no utilizar el aparato sobre césped mojado.
- ◆ Manténgase en todo momento firmemente apoyado al suelo, especialmente cuando esté en pendiente. Tenga en cuenta que el césped recién cortado está húmedo y resbaladizo. No trabaje en pendientes pronunciadas.
- ◆ Trabaje en sentido transversal a la pendiente, nunca hacia arriba o abajo. Tenga sumo cuidado al cambiar de sentido en las pendientes.
- ◆ No corte el césped en cuestas demasiado pronunciadas.

- ◆ Camine, nunca corra mientras usa el aparato. No dirija el aparato hacia usted ni camine hacia atrás cuando utilice el aparato.
- ◆ Siga las instrucciones para encender el aparato y mantenga los pies alejados de la hoja.
- ◆ No encienda el aparato cuando se encuentra delante de la abertura de expulsión de residuos.
- ◆ No levante el aparato cuando lo encienda, excepto si es necesario levantar el aparato para arrancarlo. En ese caso, no levante el aparato más de lo imprescindible necesario y levante sólo la parte que esté lejos del usuario. Asegúrese de mantener ambas manos en posición de trabajo antes de volver a dejar el aparato en el suelo.
- ◆ Si debe levantar el aparato y transportarlo para atravesar superficies que no sean de césped o para dirigirse al área de trabajo, apague el aparato y espere a que las cuchillas se detengan por completo.
- ◆ No levante ni transporte el aparato hasta que la hoja se detenga por completo.
- ◆ Mantenga las manos y los pies apartados de la hoja.
- ◆ No coloque las manos ni los pies cerca o debajo de piezas giratorias.
- ◆ Manténgase alejado en todo momento de las aberturas de expulsión de residuos.
- ◆ Antes de dejar el aparato sin vigilancia o de eliminar una obstrucción, o cuando se disponga a cambiar, limpiar o revisar alguna de sus piezas, apáguelo, desenchufe el cable de la toma de corriente y asegúrese de que las piezas móviles se han detenido por completo. Después de golpear un objeto extraño. Compruebe que la máquina no tenga daños, si lo tiene repárelos antes de volver a ponerla en marcha y utilizarla.
- ◆ Si el aparato empieza a vibrar de forma inusual o si choca con un objeto extraño, apague el aparato y desenchufe el cable de la toma de corriente. Compruebe los daños del aparato, sustituya o repare las piezas dañadas y fije las piezas sueltas.
- ◆ Tenga sumo cuidado en mantener el cable de alimentación lejos de la hoja. Tenga cuidado con la posición del cable en todo momento.
- ◆ Después de apagar el aparato, el motor continuará en marcha durante unos segundos. No intente forzar la hoja para que se pare.

Mantenimiento y almacenamiento

- ◆ Antes de utilizar el aparato, compruebe que no tenga piezas dañadas ni defectuosas.

Compruebe que las piezas móviles se encuentran correctamente alineadas y en buenas condiciones, que no hay piezas rotas, y que los dispositivos de protección e interruptores están en buenas condiciones, así como cualquier otro elemento que pudiera afectar al funcionamiento de la herramienta. Asegúrese de que el aparato funciona correctamente y realiza las funciones para las que ha sido diseñado. No utilice el aparato con protecciones o cierres dañados ni mal colocados. No utilice el aparato si presenta alguna pieza dañada o defectuosa. No utilice el aparato si no es posible encenderlo y apagarlo con el interruptor.

Solicite al servicio técnico autorizado la reparación o sustitución de las piezas dañadas o defectuosas.

- ◆ Compruebe con regularidad que el cable no ha sufrido daños. Si se llegase a dañar el cable, deberá ser sustituido por un agente autorizado para evitar cualquier situación de riesgo. Inspeccione los cables de extensión periódicamente. Si el cable de extensión está dañado o es defectuoso, sustitúyalo inmediatamente.
- ◆ Mantenga todas las tuercas, pernos y tornillos del aparato apretados para asegurar unas condiciones de trabajo seguras.
- ◆ Compruebe que el recolector de hierba no está dañado o desgastado y sustitúyalo si es necesario.

No utilice nunca el aparato sin este recolector.

- ◆ Tenga cuidado durante el ajuste del aparato para evitar que se le enganchen los dedos entre las hojas en movimiento y las piezas fijas del aparato.
- ◆ Cuando revise las cuchillas tenga cuidado porque, aunque la fuente de alimentación esté desconectada, aún se pueden mover.
- ◆ Cuando no lo utilice, guarde el aparato en un lugar seco. Los niños no deben tener acceso a los aparatos guardados.
- ◆ Deje enfriar siempre el aparato antes de guardarlo.
- ◆ Asegúrese de que sólo se utilizan los repuestos de corte del tipo correcto.
- ◆ Utilice únicamente piezas de repuesto y accesorios recomendados por BLACK+DECKER.

Instrucciones de seguridad adicionales para cortacéspedes

- ◆ Utilice siempre un cable de prolongación aprobado que sea adecuado para la entrada de corriente de esta herramienta (consulte los datos técnicos). El cable de prolongación debe ser adecuado para su uso en exteriores y presentar las indicaciones oportunas. Se puede utilizar un cable de prolongación HO5VV-F de 1.5 mm² y de hasta 30 m sin pérdida de rendimiento del producto.

- Antes de utilizar el cable de prolongación, compruebe que no esté dañado, gastado o deteriorado. Si está dañado o defectuoso, sustitúyalo. Si utiliza un carrete de cable, desenrolle siempre el cable completamente.
- ◆ No transporte la máquina si la fuente de alimentación está en funcionamiento.
 - ◆ Cuando utilice el cortacésped, agarre firmemente el manillar con ambas manos.
 - ◆ Si en algún momento resulta necesario inclinar el cortacésped, asegúrese de mantener ambas manos en la posición de trabajo mientras el cortacésped se encuentre inclinado. Mantenga ambas manos en la posición de trabajo hasta que el cortacésped vuelva a quedar correctamente colocado en el suelo.
 - ◆ No utilice nunca el cortacésped si lleva puestos los auriculares de un dispositivo de radio o de música.
 - ◆ No intente nunca ajustar la altura de una rueda con el motor en marcha o con la llave de seguridad dentro del interruptor.
 - ◆ Si el cortacésped se detiene, apáguelo y espere a que la cuchilla se detenga antes de intentar desatascar el conducto de descarga o retirar algún objeto de debajo de la plataforma.
 - ◆ Mantenga las manos y los pies alejados de la zona de corte.
 - ◆ Mantenga las cuchillas afiladas. Utilice guantes protectores cuando manipule la cuchilla del cortacésped.
 - ◆ Si utiliza el recolector de hierba, compruebe su estado de manera periódica para evitar que se desgaste y se deteriore. Si está muy desgastado, por razones de seguridad, deberá sustituirlo con un nuevo colector de hierba.
 - ◆ Extreme las precauciones cuando gire el cortacésped o cuando lo tire en dirección hacia usted.
 - ◆ No coloque las manos ni los pies cerca o debajo del cortacésped. Manténgase alejado de la apertura del mecanismo de descarga en todo momento.
 - ◆ Limpie el área donde va a utilizar el cortacésped de objetos tales como piedras, bastones, cables, juguetes, huesos, etc., que podrían salir despedidos cuando la cuchilla pase por encima de ellos. Los objetos golpeados por la cuchilla pueden causar graves lesiones personales. Manténgase detrás del manillar cuando el motor está en marcha.
 - ◆ No utilice el cortacésped si está descalzo o con sandalias. Lleve siempre un calzado adecuado.
 - ◆ No tire del cortacésped hacia atrás si no es absolutamente necesario. En ese caso, mire siempre abajo y detrás antes y cuando retroceda.
 - ◆ Evite que el material descargado vaya a parar encima de ninguna persona. No descargue el material contra una pared o una obstrucción, ya que podría rebotar hacia usted.

Suelte la maneta para parar el cortacésped y la cuchilla cuando pase por encima de superficies con grava.

- ◆ No utilice la herramienta sin el colector de hierba, el protector de descarga, el protector trasero u otros dispositivos de seguridad colocados y en funcionamiento. Revise periódicamente todos los protectores y dispositivos de seguridad para comprobar que se encuentren en buen estado, funcionen correctamente y cumplan la función prevista. Sustituya los protectores o dispositivos de seguridad dañados antes de seguir usando la herramienta.
- ◆ No deje nunca desatendido el cortacésped en funcionamiento.
- ◆ Suelte siempre la maneta para parar el motor y espere a que la cuchilla se detenga por completo antes de limpiar el cortacésped, retirar la bolsa colectora, desatascar el protector de descarga, dejar de utilizar el cortacésped o realizar algún ajuste, reparación o revisión.
- ◆ Utilice el cortacésped únicamente a la luz del día o con iluminación artificial adecuada y cuando los objetos que están en la ruta de la cuchilla sean claramente visibles desde la zona de operación del cortacésped.
- ◆ No utilice el cortacésped si está bajo el efecto de alcohol o drogas o cuando esté cansado o enfermo. Esté siempre alerta, mire lo que hace y use el sentido común.
- ◆ Evite las situaciones peligrosas. No utilice nunca el cortacésped sobre hierba mojada o húmeda, ni bajo la lluvia. Manténgase en todo momento firmemente apoyado en el suelo y no corra.
- ◆ Si el cortacésped empieza a vibrar de forma anormal, suelte el interruptor de encendido/apagado, espere a que la cuchilla se detenga y controle la causa inmediatamente. La vibración suele indicar la presencia de un problema. Consulte la guía de solución de problemas para obtener indicaciones en caso de que se produzca una vibración anómala.
- ◆ Lleve siempre protección ocular y respiratoria cuando utilice el cortacésped.
- ◆ El uso con cualquier accesorio o acoplamiento no recomendado para este cortacésped puede resultar peligroso. Utilice solamente accesorios aprobados por BLACK+DECKER.
- ◆ Sea precavido cuando utilice el cortacésped. Mantenga un apoyo firme sobre el suelo y conserve el equilibrio en todo momento cuando utilice el cortacésped.
- ◆ Trabaje en sentido transversal a la pendiente, nunca hacia arriba o abajo. Tenga sumo cuidado al cambiar de sentido en las pendientes.
- ◆ Permanezca atento a los agujeros, los surcos, los baches, las rocas y otros objetos ocultos. Las superficies irregulares pueden provocar resbalones y caídas.

El césped alto puede ocultar obstáculos.

- ◆ No utilice el cortacésped con hierba húmeda ni en pendientes muy pronunciadas. El uso de calzado poco adecuado puede provocar resbalones y caídas.
- ◆ No utilice el cortacésped cerca de pendientes pronunciadas, acequias o terraplenes. Podría perder el equilibrio o caerse.
- ◆ Deje enfriar siempre el cortacésped antes de guardarlo. Saque el enchufe de la toma de corriente y saque la batería de la máquina. Compruebe que las piezas móviles se hayan detenido:
- ◆ Cuando deje la máquina.
- ◆ Antes de limpiar una obstrucción.
- ◆ Antes de comprobar, limpiar o realizar trabajos en el aparato.

Vibración

Los valores de emisión de vibraciones declarados en el apartado de características técnicas y en la declaración de conformidad se han calculado según un método de prueba estándar proporcionado por la norma EN50636 y pueden utilizarse para comparar una herramienta con otra. El valor de emisión de vibraciones especificado también puede utilizarse en una evaluación preliminar a la exposición.

Advertencia. El valor de emisión de vibraciones durante el funcionamiento real de la herramienta eléctrica puede

diferir del valor declarado en función de cómo se utilice dicha herramienta. El nivel de las vibraciones puede aumentar por encima del nivel declarado. Al evaluar la exposición a las vibraciones con el fin de determinar las medidas de seguridad que exige la directiva 2002/44/CE para proteger a las personas que utilizan periódicamente herramientas eléctricas en el entorno laboral, deberá tenerse en cuenta una estimación de la exposición a las vibraciones, las condiciones de uso reales y el modo de empleo de la herramienta, así como los pasos del ciclo operativo como, por ejemplo, el número de veces que la herramienta se apaga, el tiempo que está parada y el tiempo de activación. No utilice la herramienta si no que produce una vibración anormal.

Seguridad de otras personas

- ◆ Este aparato no se destina al uso por parte de personas (incluyendo los niños) con capacidades físicas, sensoriales o mentales reducidas, o que carezcan de experiencia o del conocimiento necesario, a menos que estén supervisadas o reciban las instrucciones relativas al uso del aparato por una persona encargada de su seguridad.
- ◆ Los niños deben vigilarse en todo momento para garantizar que el aparato no se toma como elemento de juego.
- ◆ Después de golpear un objeto extraño.

Controle que el aparato no presente daños y haga las reparaciones necesarias.

Riesgos residuales

El uso de esta herramienta puede producir riesgos residuales adicionales no incluidos en las advertencias de seguridad adjuntas. Tales riesgos se pueden generar por un uso incorrecto, demasiado prolongado, etc. El cumplimiento de las normas de seguridad correspondientes y el uso de dispositivos de seguridad no evitan ciertos riesgos residuales. Dichos riesgos incluyen:

- ◆ Lesiones producidas por el contacto con piezas móviles.
- ◆ Lesiones producidas por el contacto con piezas calientes.
- ◆ Lesiones producidas al cambiar cualquier pieza o accesorio.
- ◆ Lesiones producidas al usar el aparato por un tiempo demasiado prolongado. Si utiliza un aparato durante períodos de tiempo demasiado prolongados, asegúrese de realizar pausas con frecuencia.
- ◆ Deterioro auditivo.
- ◆ Riesgos para la salud producidos al respirar el polvo que se genera al usar la herramienta (por ejemplo: en los trabajos con madera, especialmente de roble, haya y tableros de densidad mediana).

- ◆ Si no se puede evitar usar el cortacésped en un lugar húmedo, use un dispositivo diferencial residual (DDR) con una corriente de desconexión no superior a 30 mA. El uso de un dispositivo diferencial residual reduce el riesgo de descarga eléctrica.
- ◆ Nunca levante o transporte el aparato mientras el motor está en funcionamiento.

Símbolos de advertencia

Junto con el código de la fecha, en la herramienta aparecen los siguientes símbolos:



Advertencia. Lea el manual antes de utilizar el aparato.



No exponga el aparato a la lluvia ni a una humedad elevada.



Antes de revisar un cable dañado, retire siempre la clavija del enchufe de corriente. Tenga cuidado de no utilizar el aparato si el cable está estropeado.



Tenga cuidado con las cuchillas afiladas.



Tenga cuidado con los objetos que salen volando. Mantenga a otras personas alejadas de la zona de corte.



Mantenga el cable alejado de las hojas de corte.



Una vez apagada la máquina, las cuchillas continuarán girando.



Directiva 2000/14/CE sobre la potencia acústica garantizada.

Seguridad eléctrica



Advertencia. Esta herramienta lleva un doble aislamiento; por lo tanto, no requiere una toma de tierra. Compruebe siempre que el voltaje suministrado corresponda al indicado en la placa de características.

- ◆ Si se daña el cable de alimentación, el fabricante o un centro de servicio técnico autorizado de BLACK+DECKER deberán sustituirlo para evitar riesgos.
- ◆ Se puede incrementar la seguridad eléctrica mediante la utilización de un dispositivo de diferencial residual (DDR) de alta sensibilidad de 30 mA.

Características

Este aparato incluye una o más de las siguientes características.

1. Caja de interruptor
2. Botón de encendido/apagado
3. Gatillo de arranque
4. Manillar superior
5. Manillar inferior
6. Caja colectora de césped
7. Cubierta del motor
8. Asa de traslado

Montaje

Advertencia. Antes del montaje, compruebe que la herramienta esté apagada y desenchufada.

Montaje de la caja colectora de hierba (Figs. A, B y C)

Para poder utilizar la caja colectora, primero hay que montarla. Esta se compone de 3 piezas.

- ◆ Sujete la empuñadura (6a) con la tapa (6b) del cajón para la hierba (Fig. B). La empuñadura solo se ajusta hacia una dirección.
- ◆ Alinee la tapa (6b) con la base del cajón de recolección de hierba (6c). Asegúrese de que las guías estén alineadas (Fig. C)

Nota: Tenga mucho cuidado al alinear las 2 sujeciones en la parte posterior de la caja colectora de césped.

- ◆ Presione la tapa para asegurar todas las sujeciones. Empiece por la parte posterior y asegúrese de que todas las sujeciones están bien ubicadas.

Montaje de la caja colectora de césped (Fig. D)

- ◆ Levante la aleta (8) y coloque la caja colectora de césped (6) sobre los salientes.

Colocación de la caja del interruptor (Fig. E)

- ◆ Alinee las clavijas de plástico de la caja del interruptor (1) con los agujeros en la empuñadura (1b) y asegúrese de que la caja del interruptor se encuentra en el borde superior de la empuñadura.
- ◆ Deslice las clavijas de plástico de la caja del interruptor (1) por los agujeros en la empuñadura.
- ◆ Deslice la cubierta de plástico (1b) por las guías finas de la caja del interruptor (1).
- ◆ Fije la cubierta de plástico (1b) con los 2 tornillos suministrados.

Colocación del manillar inferior (Fig. F)

- ◆ Inserte las terminaciones de la parte inferior de la empuñadura (5) en los agujeros correspondientes del cortacésped.
- ◆ Presione la empuñadura lo máximo posible hacia abajo.
- ◆ Fije la empuñadura con los tornillos (5a).

Colocación del manillar superior (Fig. G)

- ◆ Coloque el manillar superior (4) en el manillar inferior (5) usando los botones (4a), las arandelas (4c) y los tornillos (4b), como se muestra.

Nota: El manillar superior se puede fijar en 2 posiciones de altura diferente.

Encendido y apagado (Fig. H)

Encendido

- ◆ Pulse el botón de encendido y apagado (2).
- ◆ Tire el gatillo de encendido (3) hacia el manillar.

Apagado

- ◆ Suelte el gatillo de arranque (3).

Advertencia. No intente nunca trabar un interruptor en la posición de encendido.

Ajuste de la altura del corte (Fig. I)

Advertencia. Asegúrese de que la cuchilla se haya detenido completamente y desenchufe el aparato de la toma de corriente.

La altura del corte se ajusta modificando la altura de todas las ruedas. Existen 3 posiciones entre las que escoger.

- ◆ Extraiga la caja colectora de césped (7).
- ◆ Coloque el cortacésped boca abajo.
- ◆ Agarre una rueda (24) y empuje y tire del eje desde su ubicación actual.
- ◆ Mueva la rueda (24) hacia arriba y hacia abajo para colocarla en la siguiente posición disponible.

Nota: Ajuste una rueda por vez. Ajuste una posición de altura por vez.

Corte hasta los bordes (Fig. J, K)

El corte hasta los bordes le permite cortar el césped directamente hasta el borde de una pared o una valla (Fig. J). El corte hasta los bordes le permite cortar el césped con exactitud hasta el borde del césped (Fig. K).

- ◆ Con el cortacésped paralelo al borde del césped, empuje el cortacésped a lo largo del borde del césped. Asegúrese de que el borde del cortacésped esté ligeramente por encima del borde del césped (Fig. K).

Sustitución de la cuchilla (Fig. L)

Advertencia. Asegúrese de que la cuchilla se haya detenido completamente y desenchufe el aparato de la toma de corriente.

Advertencia. Utilice solo la cuchilla de repuesto especificada.

Advertencia. Utilice guantes para servicio pesado para coger la cuchilla.

Para extraer la cuchilla:

- ◆ Ponga el aparato de lado.
- ◆ Coja la cuchilla usando guantes de trabajo resistentes.
- ◆ Utilice una llave de 13 mm para aflojar y extraer el perno de la cuchilla (10) girando la llave en el sentido contrario a las agujas del reloj.
- ◆ Extraiga la cuchilla (9) y el perno de la cuchilla (10).

Para sustituir la cuchilla:

- ◆ Coloque la cuchilla hacia arriba en el extremo del perno y sitúe el perno de la cuchilla (10) en el extremo del perno.

Nota: Cuando coloque la cuchilla, el texto impreso en la misma debe estar mirando al usuario.

- ◆ Apriete el perno de la cuchilla (10) tan fuerte como pueda con la mano.
- ◆ Coja la cuchilla usando guantes de trabajo resistentes.

- ◆ Utilice una llave de 13 mm apretar el perno de la cuchilla (10) girando la llave en el sentido de las agujas del reloj.

Cortar (Fig. M1 y M2)

Es recomendable utilizar el cortacésped tal y como se describe en esta sección con el fin de obtener unos resultados óptimos y reducir el riesgo de que se produzca un corte en el cable de alimentación.

- ◆ Coloque el resto del cable de alimentación en el césped, cerca del lugar por donde vaya a empezar a trabajar (posición 1 de la Fig. M1).
- ◆ Encienda el aparato según las instrucciones anteriores.
- ◆ Realice el procedimiento que se muestra en la Fig. M1.
- ◆ Muévase desde la posición 1 a la posición 2.
- ◆ Gire a la derecha y continúe hacia la posición 3.
- ◆ Gire a la izquierda y continúe hacia la posición 4.
- ◆ Repita el procedimiento anterior según sea necesario.

Advertencia. No trabaje en dirección al cable como se muestra en la Fig. N2.

Cómo afilar la cuchilla

Nota: El BEMW451 usa la cuchilla BLACK+DECKER (Cat. n.º A6305). Para optimizar el rendimiento del cortacésped, mantenga la cuchilla afilada. Una cuchilla desafilada no corta en modo bien definido el césped. Utilice protección ocular apropiada para extraer, afilar e instalar la cuchilla. En situaciones normales, por lo general, es suficiente afilar la cuchilla dos veces durante la temporada de corte.

La arena provoca que la cuchilla se desafilé rápidamente. Si su terreno es de suelo arenoso, es probable sea necesario afilarla con más frecuencia.

Nota: Si la cuchilla está curvada o dañada, reemplácela de inmediato.

Para afilar la cuchilla:

- ◆ Asegúrese de que la cuchilla esté equilibrada.
- ◆ Afíle la cuchilla en el ángulo de corte original.
- ◆ Afíle los bordes de corte de ambos extremos de la cuchilla sacando la misma cantidad de material de ambos extremos.

Afilar la cuchilla en un tornillo de banco (Fig. N)

- ◆ Asegúrese de que la cuchilla se haya detenido y que el cortacésped esté desenchufado antes de extraer la cuchilla.
- ◆ Saque la cuchilla del cortacésped. Consulte las instrucciones de montaje y desmontaje de la cuchilla.
- ◆ Sujete la cuchilla (9) en un tornillo de banco (11).
- ◆ Utilice protección ocular adecuada y guantes y tenga cuidado de no cortarse. Lime con cuidado los filos de la cuchilla con una lima fina (12) o una piedra de afilar, conservando siempre el ángulo original del filo. Compruebe el equilibrio de la cuchilla. Compruebe las instrucciones de equilibrado de la cuchilla.

- ◆ Vuelva a colocar la cuchilla en el cortacésped y apriétela bien.

Equilibrio de la cuchilla (Fig. O)

Compruebe el equilibrio de la cuchilla (9) colocando el orificio central de la cuchilla en un clavo o en un destornillador de vástago redondo, fijado horizontalmente en un tornillo de banco. Si alguno de los extremos de la cuchilla gira hacia abajo, lime el filo del extremo que cae. La cuchilla está correctamente balanceada cuando no cae ninguno de los extremos.

Lubricación

No es necesario realizar ningún tipo de lubricación. No engrase las ruedas, ya que tienen una superficie de rodamiento plástico que no necesita lubricación.

Limpieza

Apague el cortacésped y deje que la cuchilla se pare. Para limpiar el cortacésped, utilice únicamente jabón suave y un paño húmedo. Saque los recortes de césped que se hayan acumulado en la parte inferior de la plataforma. Después de haber utilizado la unidad varias veces, revise las sujeciones externas para verificar que estén firmemente ajustadas.

Cómo evitar la corrosión

Los fertilizantes y otros productos químicos de jardinería contienen agentes que aceleran considerablemente la corrosión de los metales. Si utiliza el cortacésped en áreas donde se hayan aplicado fertilizantes u otros productos químicos, límpielo inmediatamente después de finalizar el trabajo como se indica a continuación: Apague el cortacésped y desenchúfelo. Limpie todas las piezas expuestas con un paño húmedo.

Mantenimiento

Su aparato o herramienta con o sin cable de BLACK+DECKER ha sido diseñada para funcionar durante un largo período de tiempo con un mantenimiento mínimo. El funcionamiento satisfactorio continuado depende de un cuidado apropiado y una limpieza periódica de la herramienta o aparato.

Advertencia. Antes de realizar el mantenimiento de herramientas eléctricas con o sin cables:

- ◆ Apague y desenchúfe el aparato o herramienta.
- ◆ O, en caso de batería integrada, agótelas por completo y, a continuación, apague la herramienta.
- ◆ Desenchufe el cargador antes de limpiarlo. El cargador no requiere ningún mantenimiento especial excepto la limpieza periódica.
- ◆ Limpie periódicamente las ranuras de ventilación de la herramienta, aparato y cargador con un cepillo suave o un paño seco.

- ◆ Limpie periódicamente la carcasa del motor con un paño húmedo. No utilice limpiadores abrasivos o a base de disolventes.
- ◆ Utilice periódicamente un raspador sin filo para eliminar los restos de hierba y la suciedad acumulada debajo del protector.

Resolución de problemas

Si nota que el aparato no funciona bien, siga las instrucciones que se indican a continuación. Si no se resuelve el problema, póngase en contacto con un técnico autorizado de BLACK+DECKER.

Advertencia. Antes de empezar, suelte la maneta para apagar el cortacésped y espere a que la cuchilla se detenga.

Problema	Causa posible	Posible solución
La máquina no funciona.	La alimentación está apagada.	Active la alimentación.
	Fusible defectuoso o fundido.	Sustituya el fusible.
	Césped demasiado alto.	Aumente la altura del corte y mueva la máquina hacia el césped más corto para empezar.
	Interruptor térmico activado.	Deje que se enfríe el motor y aumente la altura del corte.
El aparato funciona de forma intermitente.	Interruptor térmico activado.	Deje que se enfríe el motor y aumente la altura del corte.
El aparato deja un acabado irregular o el motor trabaja con dificultad.	Altura del corte demasiado baja.	Aumente la altura del corte.
	La cuchilla de corte no está afilada.	Sustituya la hoja.
	La parte inferior del aparato está atascada.	Compruebe debajo del aparato y límpielo como sea necesario (utilice siempre guantes de para trabajo pesado)
	La cuchilla está del revés.	Coloque la cuchilla correctamente.

Protección del medioambiente



Recogida selectiva. Los productos y las baterías marcadas con este símbolo no se deben eliminar con los residuos domésticos normales.

Los productos y las baterías que contienen materiales que se puedan recuperar o reciclar reducen la demanda de materias primas. Recicle los productos eléctricos y las baterías de conformidad con la normativa local.

Puede obtener más información en www.2helpU.com

Datos técnicos

		BEMW451
Tensión	V _{CA}	230
Potencia de entrada	W	1200
Velocidad sin carga	min ⁻¹	3500
Ajuste de la altura	mm	23 - 63
Longitud de la cuchilla	mm	320
Peso	Kg	8.33

Vibraciones soportadas en mano/brazo:
= < 2,5 m/s², incertidumbre (K) = 1,5 m/s².

Nivel de presión acústica en la oreja del operador:
L_{PA}: 78.5 dB(A); K= 4.0 dB(A)

Nivel de potencia acústica L_{WA}: 93 dB(A); K= 3 dB(A)

**Declaración de conformidad CE
DIRECTIVA DE MÁQUINAS
DIRECTIVA SOBRE EL RUIDO EXTERIOR**



BEMW451 Cortacésped

Black & Decker declara que los productos descritos en "datos técnicos" cumplen las siguientes normas:
2006/42/CE, EN 60335-1:2012 + A11:2014, EN 60335-2-77:2010
2000/14/CE, cortacésped, L < 50 cm, Anexo VI,

DEKRA Certification B.V. Meander 1051 / P.O. Box 5185
6825 MJ ARNHEM / 6802 ED ARNHEM Netherlands.
Nivel de intensidad acústica de acuerdo con la directiva 2000/14/CE (artículo 12, anexo III, L < 50cm):
nivel de potencia acústica medida L_{WA}: 93 dB(A); K=3 dB(A).
nivel de potencia acústica garantizada L_{WA}: 96 dB(A).

Estos productos también cumplen con las directivas 2014/30/UE y 2011/65/UE. Para más información, póngase en contacto con Black & Decker en la siguiente dirección o consulte la parte posterior del manual.

El abajo firmante es el responsable de la compilación del archivo técnico y realiza esta declaración en representación de Black & Decker.

R. Laverick
Director de Ingeniería
Black & Decker Europa, 210 Bath Road, Slough,
Berkshire, SL1 3YD
Reino Unido
27/10/2017

Garantía

Black & Decker confía en la calidad de sus productos y ofrece a los consumidores una garantía de 24 meses a partir de la fecha de compra. Esta garantía es adicional a sus derechos legales y no los menoscaba en modo alguno. La garantía es válida dentro de los territorios de los Estados Miembros de la Unión Europea y del Área de Libre Comercio Europea.

Para reclamar la garantía, la reclamación se debe presentar de conformidad con las condiciones de Black & Decker. Tendrá que adjuntar un justificante de compra al vendedor o al agente técnico autorizado. Las condiciones de la garantía de 2 años de Black & Decker y la ubicación de su agente técnico autorizado más cercano se pueden obtener en Internet en www.2helpU.com o poniéndose en contacto con su oficina local de Black & Decker en la dirección que se indica en este manual.

Visite nuestro sitio web www.blackanddecker.co.uk para registrar su nuevo producto Black & Decker y recibir noticias sobre nuevos productos y ofertas especiales.

Utilização pretendida

O cortador de relva BLACK+DECKER BEMW451 foi concebido para cortar relva. Este aparelho destina-se apenas a utilização doméstica.

Instruções de segurança

Atenção! Quando utilizar aparelhos eléctricos, deve sempre cumprir medidas de segurança básicas, incluindo as seguintes, de modo a reduzir os riscos de incêndio, choque eléctrico e ferimentos pessoais.

- ◆ Leia cuidadosamente o manual completo antes de utilizar este aparelho.
 - ◆ A utilização prevista para este aparelho está descrita no manual.
- A utilização de qualquer acessório ou a execução de qualquer operação com este aparelho que não esteja incluída no presente manual de instruções poderá representar um risco de ferimentos pessoais.
- ◆ Conserve este manual para referência futura.

Preparação

- ◆ Leias as instruções com atenção: Familiarize-se com os controlos e a utilização adequada da máquina.
- ◆ Nunca deixe que crianças ou pessoas que não estejam familiarizadas com estas instruções utilizem a máquina. As normas locais podem restringir a idade do operador.
- ◆ Nunca utilize a máquina enquanto estiverem pessoas, em especial crianças, ou animais nas proximidades.

- ◆ Lembre-se de que o operador ou o utilizador é responsável por acidentes ou perigos que possam ocorrer a outras pessoas ou bens.

Preparação

- ◆ Durante a utilização da máquina, utilize sempre calçado resistente e calças compridas. Não trabalhe com a máquina descalço ou com sandálias. Evite utilizar roupas largas ou com cordões ou laços pendurados.
- ◆ Inspeccione rigorosamente a área em que a máquina será utilizada e retire todos os objectos que possam ser projectados pela máquina.
- ◆ Antes de usar, proceda sempre a uma inspecção visual para ver se a lâmina, o parafuso da lâmina e o conjunto da lâmina não estão desgastados ou danificados. Substitua componentes desgastados ou danificados em conjuntos para manter o equilíbrio. Substitua etiquetas danificadas ou ilegíveis.
- ◆ Antes da utilização, verifique se o cabo de alimentação e a extensão eléctrica apresentam sinais de danos ou desgaste. Se o cabo se danificar durante a utilização, desligue de imediato o aparelho da fonte de alimentação eléctrica. **NÃO TOQUE NO CABO DE ALIMENTAÇÃO ANTES DE DESLIGAR A FONTE DE ALIMENTAÇÃO ELÉCTRICA.** Não utilize a máquina se o cabo estiver danificado ou desgastado.

- ◆ Utilize óculos ou viseiras de protecção quando utilizar esta ferramenta. Use uma máscara de protecção de poeiras sempre que trabalhar em locais com muito pó. A protecção auricular deve ser usada sempre que o nível de som for desconfortável.
- ◆ Tenha cuidado com os choques eléctricos. Evite o contacto com superfícies com ligação à terra, tais como trilhos de metal, postes de iluminação, etc.

Funcionamento

- ◆ Nunca trabalhe com a máquina com protecções deficientes, ou sem os dispositivos de segurança montados (deflectores e/ou caixa de aparas).
- ◆ Utilize apenas o aparelho à luz do dia ou com uma boa luz artificial.
- ◆ Não exponha a máquina à água. Não utilize a máquina na lama em condições húmidas. De preferência, não utilize a máquina em relva molhada.
- ◆ Tenha cuidado ao deslocar-se, especialmente em terrenos inclinados. A relva acabada de cortar está molhada e escorregadia. Não trabalhe em declives.
- ◆ Trabalhe ao longo dos socalcos e nunca em sentido ascendente e descendente. Tenha muito cuidado quando mudar de direcção em declives.
- ◆ Não corte excessivamente em declives acentuados.
- ◆ Não corra quando utilizar a máquina.

Não puxe a máquina na sua direcção nem ande para trás quando utilizar a máquina.

- ◆ Ligue a máquina de acordo com as instruções e com os seus pés bem afastados da lâmina.
- ◆ Não ligue o aparelho quando estiver à frente da abertura de descarga.
- ◆ Não incline a máquina quando a liga, excepto se tiver de ser inclinada para colocá-la em funcionamento. Nesse caso, não incline a máquina mais do que o absolutamente necessário e apenas quando a peça estiver distante do operador. Ambas as mãos devem estar devidamente posicionadas para manejar a máquina antes de a colocar no chão.
- ◆ Desligue a máquina e aguarde que o conjunto de lâminas pare de funcionar se o aparelho tiver de ser inclinado para transporte em terrenos que não sejam relvados e quando transportar a máquina para e a partir da área a ser cortada.
- ◆ Não eleve ou transporte a máquina até a lâmina parar completamente.
- ◆ Mantenha as mãos e os pés afastados da lâmina.
- ◆ Não coloque as mãos ou pés perto ou sob as peças rotativas.
- ◆ Mantenha-se sempre afastado das aberturas de descarga.
- ◆ Desligue, retire a ficha da tomada e certifique-se de que as peças móveis pararam de rodar antes de deixar o aparelho sem vigilância e antes de mudar, limpar ou inspeccionar

quaisquer peças do aparelho ou de retirar um obstáculo. Após bater num objecto estranho. Inspeccione a máquina para identificar danos e proceda às reparações antes de recomeçar a trabalhar com a máquina;

- ◆ Se a máquina começar a vibrar anormalmente ou se bater num objecto estranho, desligue-a e remova a ficha da tomada. Verifique se existem danos no aparelho, substitua ou repare peças danificadas, procure e aperte peças soltas.
- ◆ Certifique-se sempre de que o cabo de alimentação está afastado da lâmina. Tenha sempre presente a posição do cabo.
- ◆ O motor irá continuar a funcionar por alguns segundos depois de desligar a máquina. Nunca force a imobilização da lâmina.

Manutenção e armazenamento

- ◆ Antes da utilização, verifique a existência de peças danificadas ou avariadas no aparelho. Verifique se as partes móveis estão desalinhasadas ou bloqueadas, se existem peças partidas, se as protecções e os botões estão danificados ou qualquer outra situação que possa afectar o funcionamento das ferramentas eléctricas. Certifique-se de que a máquina irá funcionar correctamente e executar a respectiva função prevista.

Nunca utilize o aparelho se as protecções ou caixas estiverem danificadas ou não estiverem na devida posição. Não utilize o aparelho se alguma das peças se encontrar danificada ou avariada. Não utilize a máquina se o interruptor não puder ser ligado nem desligado.

Mande reparar ou substituir quaisquer peças danificadas ou avariadas por um agente de reparação autorizado.

- ◆ Verifique regularmente se o cabo apresenta danos. Se o cabo for danificado, terá de ser substituído por um agente de reparação autorizado para evitar acidentes. Verifique periodicamente os cabos de extensão. Substitua, de imediato, um cabo de extensão caso esteja danificado.
- ◆ Mantenha todas as porcas, parafusos e pernos da máquina apertados para assegurar um bom funcionamento.
- ◆ Verifique se o colector de relva apresenta danos ou desgaste e substitua-o se necessário. Nunca utilize o aparelho sem o colector de relva.
- ◆ Cuidado durante o ajuste da máquina para evitar ficar com os dedos presos entre lâminas em movimento e peças fixas da máquina.
- ◆ Quando proceder a reparações das lâminas, tenha em atenção que, apesar da fonte de alimentação estar desligada, as lâminas podem deslocar-se.

- ◆ Quando não estiver em utilização, o aparelho deve ser guardado num local seco. As crianças não devem ter acesso a aparelhos armazenados.
- ◆ Deixe sempre a máquina arrefecer antes de a guardar.
- ◆ Certifique-se de que são utilizados os instrumentos de corte de substituição adequados.
- ◆ Utilize apenas as peças de substituição e acessórios recomendados pela BLACK+DECKER.
- ◆ Segure bem o manípulo com ambas as mãos quando estiver a manobrar o cortador de relva.
- ◆ Se, a qualquer altura, for necessário inclinar o cortador de relva, certifique-se de que ambas as mãos permanecem na posição de funcionamento do aparelho enquanto o cortador se encontra inclinado. Mantenha ambas as mãos na posição de funcionamento do aparelho até o cortador de relva voltar a estar correctamente posicionado no chão.

Instruções de segurança adicionais para cortadores de relva

- ◆ Utilize sempre um cabo de extensão aprovado, adequado à entrada de alimentação da ferramenta (consulte os dados técnicos). O cabo de extensão tem de ser adequado para utilização exterior, possuindo a respectiva marcação. Poderá utilizar um cabo de extensão HO5VV-F de 1.5 mm² com uma extensão máxima 30 m, sem redução do desempenho do aparelho. Antes da utilização, verifique se o cabo de extensão apresenta sinais de envelhecimento, danos ou desgaste. Substitua o cabo de extensão se este se encontrar danificado ou avariado. Ao utilizar uma bobina de cabo, desenrole sempre o cabo na íntegra.
 - ◆ Não transporte a máquina enquanto a fonte de alimentação estiver a funcionar.
 - ◆ Nunca use auscultadores para ouvir rádio ou música enquanto estiver a manobrar o cortador de relva.
 - ◆ Nunca tente fazer um ajuste da altura da roda enquanto o motor estiver em funcionamento ou se a chave de segurança estiver no caixa do comutador.
 - ◆ Se o cortador de relva encravar, aguarde que a lâmina pare antes de tentar desobstruir o cano ou remover o que estiver abaixo da estrutura.
 - ◆ Mantenha as mãos e os pés afastados da área de corte.
 - ◆ Mantenha as lâminas afiadas.
- Utilize sempre luvas de protecção durante o manuseamento da lâmina do cortador de relva.
- ◆ Se estiver a utilizar o colector de relva, verifique-o regularmente quanto a indícios de desgaste e deterioração. Se estiver excessivamente usado, substitua-o por um novo colector de relva para sua segurança.

- ◆ Tenha muita atenção quando estiver a inverter ou a puxar o cortador de relva na sua direcção.
- ◆ Não coloque as mãos ou pés perto ou sob o cortador de relva. Mantenha-se sempre afastado da abertura de descarga.
- ◆ Limpe a área onde o cortador de relva vai ser usado retirando objectos como pedras, paus, cabos, brinquedos, ossos, etc., que poderão ser atirados pela lâmina. Os objectos atirados pela lâmina podem causar ferimentos graves. Mantenha-se atrás do manípulo quando o motor estiver ligado.
- ◆ Não trabalhe com o cortador de relva descalço ou com sandálias. Utilize sempre calçado de segurança.
- ◆ Não faça andar para trás o cortador de relva, excepto se for absolutamente necessário. Olhe sempre para baixo e para trás antes e quando estiver a deslocar-se para trás.
- ◆ Nunca direcione os materiais descarregados para pessoas. Evite descarregar os materiais junto a uma parede ou outro elemento de obstrução. Os materiais poderão fazer ricochete contra o operador. Liberte a pega de arranque para desligar o cortador de relva e pare a lâmina quando estiver a passar por superfícies com gravilha.
- ◆ Não trabalhe com o cortador de relva sem o colector de relva completo, protecção de descarga, protecção traseira ou outros dispositivos de segurança montados e a funcionar. Verifique periodicamente todas as protecções e dispositivos de segurança para se certificar de que estão em bom funcionamento e de que irão funcionar correctamente e executar a respectiva função prevista. Substitua uma protecção danificada ou outro dispositivo de segurança antes da utilização do aparelho.
- ◆ Nunca deixe um cortador de relva em funcionamento sem vigilância.
- ◆ Liberte sempre a barra dos fardos para parar o motor e aguarde até a lâmina parar por completo antes de limpar o cortador de relva, remover o saco de relva, desobstruir a protecção de descarga, quando deixar o cortador de relva ou antes de efectuar quaisquer ajustes, reparações ou inspecções.
- ◆ Utilize o cortador de relva apenas à luz do dia ou com uma boa luz artificial desde que os objectos no percurso da lâmina fiquem claramente visíveis na área de funcionamento do cortador de relva.
- ◆ Não utilize o cortador de relva sob o efeito do álcool ou drogas, ou quando estiver cansado ou doente. Esteja sempre atento, preste atenção ao que está a fazer e use o bom senso.
- ◆ Evite ambientes perigosos.

Nunca utilize o cortador de relva se a relva estiver húmida ou molhada, nunca utilize o cortador de relva à chuva. Tenha sempre cuidado ao deslocar-se, ande normalmente e nunca corra.

- ◆ Se o cortador de relva começar a vibrar anormalmente, liberte o interruptor de ligar/desligar, aguarde que a lâmina pare e, em seguida, verifique de imediato qual é a causa. A vibração é, geralmente, um sinal de problemas; consulte o guia de resolução de problemas para obter conselhos no caso de ocorrência de vibrações anormais.
- ◆ Utilize sempre óculos de protecção e uma protecção respiratória adequada quando utilizar o cortador de relva.
- ◆ A utilização de qualquer acessório não recomendado para a utilização com este cortador de relva poderá ser perigosa. Utilize apenas acessórios aprovados pela BLACK+DECKER.
- ◆ Nunca tente chegar a pontos fora do alcance enquanto estiver a manobrar o cortador de relva. Mantenha-se sempre bem posicionado e equilibrado enquanto estiver a manobrar o cortador de relva.
- ◆ Corte ao longo dos socacos e nunca em sentido ascendente e descendente. Tenha muito cuidado quando mudar de direcção em declives.
- ◆ Preste atenção aos buracos, sulcos, solavancos, pedras ou outros objectos escondidos.

O terreno irregular pode causar uma derrapagem e uma queda accidental. A relva grande pode ocultar obstáculos.

- ◆ Não corte relva molhada ou em escarpas acentuadas. O andamento irregular pode causar uma derrapagem e uma queda accidental.
- ◆ Não corte perto de descidas, valas ou represas. Poderá perder o equilíbrio.
- ◆ Deixe sempre o cortador arrefecer antes de o guardar.

Retire a ficha da tomada e remova a bateria da máquina. Certifique-se de que todas as peças móveis param por completo:

- ◆ Quando não utilizar a máquina;
- ◆ Antes de limpar um bloqueio;
- ◆ Antes de verificar, limpar ou utilizar o aparelho.

Vibração

Os valores de emissão de vibração declarados na secção de dados técnicos e na declaração de conformidade foram medidos de acordo com o método de teste padrão fornecido pela EN EN50636 e podem ser utilizados para comparar ferramentas. O valor de emissão de vibração declarado pode ainda ser utilizado numa avaliação preliminar de exposição.

Atenção! O valor de emissão de vibração durante a utilização real da ferramenta elétrica pode ser diferente do valor declarado, dependendo da forma como a ferramenta é utilizada. O nível de vibração pode aumentar acima do nível indicado.

Quando avaliar a exposição da vibração para determinar as medidas de segurança exigidas pela Diretiva 2002/44/CE para proteger pessoas que utilizem regularmente ferramentas eléctricas na sua atividade profissional, deve ser considerada uma estimativa de exposição de vibração, as condições reais de utilização e o modo de utilização da ferramenta, incluindo ainda todas as partes do ciclo de funcionamento, como os períodos de inatividade e espera da ferramenta, além do tempo de funcionamento. Não utilize a ferramenta se a vibração emitida não for normal.

Segurança de terceiros

- ◆ Este aparelho não deve ser utilizado por pessoas (incluindo crianças) com capacidades físicas, sensoriais ou mentais reduzidas ou com falta de experiência e conhecimentos, a menos que sejam acompanhadas ou tenham recebido formação sobre a utilização deste equipamento por uma pessoa responsável pela sua segurança.
- ◆ Esteja atento às crianças para que não brinquem com o aparelho.
- ◆ Após bater num objecto estranho. Inspeccione se o aparelho apresenta danos e faça as reparações conforme necessário.

Riscos residuais

Podem surgir riscos residuais adicionais durante a utilização da ferramenta, que poderão não constar nos avisos de segurança incluídos.

Estes riscos podem resultar de má utilização, uso prolongado, etc. Mesmo com a aplicação das regulamentações de segurança relevantes e implementação de dispositivos de segurança, existem alguns riscos residuais que não podem ser evitados. Estes incluem:

- ◆ Ferimentos causados pelo contacto com peças em movimento.
- ◆ Ferimentos causados pelo contacto com peças quentes.
- ◆ Ferimentos causados durante a troca de peças ou acessórios.
- ◆ Ferimentos causados pela utilização prolongada do aparelho.

Quando utilizar um aparelho durante um período prolongado, faça intervalos regulares.

- ◆ Danos auditivos.
- ◆ Problemas de saúde causados pela inalação de poeiras resultantes da utilização da ferramenta (exemplo: trabalhos em madeira, especialmente carvalho, faia e MDF).
- ◆ Se não for possível evitar trabalhar com o cortador de relva num local húmido, utilize um dispositivo de corrente residual (RCD) com uma corrente de corte não superior a 30 mA. A utilização de um RCD reduz o risco de choque eléctrico.
- ◆ Nunca levante ou transporte um aparelho quando o motor estiver em funcionamento.

Símbolos de aviso

Os seguintes símbolos de aviso apresentam os seguintes símbolos de aviso juntamente com o código de data:



Atenção! Antes de utilizar o aparelho, leia o manual.



Não exponha o equipamento à chuva ou à humidade elevada.



Remova sempre a ficha da tomada antes de inspeccionar o cabo danificado. Tenha o cuidado de não utilizar o aparelho se o cabo estiver danificado.



Esteja atento a lâminas afiadas.



Esteja atento à projecção de objectos. Mantenha as pessoas afastadas da área de corte.



Mantenha o cabo afastado das lâminas de corte.



As lâminas continuarão a rodar após a máquina ter sido desligada.



A potência sonora está em conformidade com a Directiva 2000/14/CE.

Segurança eléctrica



Atenção! Esta ferramenta tem isolamento duplo. Por esse motivo, não precisa de ligação à terra.

Verifique sempre se a tensão da tomada de electricidade corresponde à voltagem indicada na placa com os requisitos de alimentação da ferramenta.

- ◆ Se o cabo de alimentação estiver danificado, terá de ser substituído pelo fabricante ou por um Centro de Assistência autorizado BLACK+DECKER, de modo a evitar lesões.
- ◆ A segurança eléctrica pode ser melhorada mediante o uso de um Dispositivo de Corrente Residual (RCD) de alta sensibilidade de 30 mA.

Componentes

Este aparelho inclui algumas ou todas as seguintes características.

1. Caixa de comutação
2. Botão para ligar/desligar
3. Interruptor para ligar/desligar
4. Manípulo superior
5. Manípulo inferior
6. Caixa de recolha de relva
7. Cobertura do motor
8. Pega de transporte

Montagem

Atenção! Antes da montagem, certifique-se de que o equipamento está desligada e que não está ligada à corrente eléctrica.

Montar a caixa de recolha de relva (Fig. A, B e C)

A caixa de aparas deve ser montada antes de ser utilizada e é composta por 3 peças.

- ◆ Prenda o manípulo (6a) na tampa (6b) da caixa de aparas (Fig. B). O manípulo só pode ser encaixado de uma forma.
- ◆ Alinhe a tampa (6b) com a base da caixa de recolha de relva (6c). Certifique-se de que as guias estão alinhadas (Fig. C)

Nota: Tenha muito cuidado quando alinhar os 2 cliques na parte de trás da caixa de recolha de relva.

- ◆ Pressione a tampa para fixar todos os cliques. Comece por trás e certifique-se de que todos os cliques estão bem fixados.

Encaixar a caixa de recolha de relva (Fig. D)

- ◆ Levante a aba (8) e coloque a caixa de recolha de relva (6) sobre os apoios.

Encaixar a caixa de controlo (Fig. E)

- ◆ Alinhe os pinos de plástico da caixa de controlo (1) com os orifícios do manípulo (1b), garantindo que a caixa de controlo se encontra na extremidade superior do manípulo.
- ◆ Deslize os pinos de plástico da caixa de controlo (1) até aos orifícios do manípulo.
- ◆ Deslize a cobertura de plástico (1b) pelas calhas finas da caixa de controlo (1).
- ◆ Fixe a cobertura de plástico (1b) com os 2 parafusos fornecidos

Encaixar o manípulo inferior (Fig. F)

- ◆ Insira as extremidades dos manípulos inferiores (5) nos orifícios correspondentes no cortador.
- ◆ Pressione o manípulo para baixo, tanto quanto possível.
- ◆ Fixe o manípulo utilizando os parafusos (5a).

Montar o manípulo superior (Fig. G)

- ◆ Encaixe o manípulo superior (4) no manípulo inferior (5) utilizando os botões (4a), as anilhas (4c) e os parafusos (4b), conforme indicado.

Nota: O manípulo superior pode ser fixado em duas alturas diferentes.

Ligar e desligar (fig. H)**Ligar**

- ◆ Prima o botão para ligar/desligar (2).
- ◆ Puxe o interruptor para ligar/desligar (3) no sentido do manípulo.

Desligar

- ◆ Liberte o interruptor para ligar/desligar (3).

Atenção! Nunca tente bloquear um interruptor de ligação na posição de ligado.

Ajustar a altura de corte (Fig. I)

Atenção! Certifique-se de que a lâmina parou completamente e desligue o aparelho da tomada.

A altura de corte é ajustada alterando a altura de todas as rodas, existindo 3 posições à escolha.

- ◆ Retire a caixa de recolha de relva (7).
- ◆ Vire o cortador ao contrário.
- ◆ Segure uma roda (24) e empurre/puxe o eixo da posição actual.
- ◆ Desloque a roda (24) para cima/baixo para a próxima posição disponível.

Nota: Ajuste uma roda de cada vez. Ajuste uma posição de altura de cada vez.

Corte até ao contorno (Fig. J, K)

O corte até ao contorno permite cortar relva até ao contorno de uma parede ou vedação (Fig. J).

O corte até ao contorno permite cortar relva com precisão até ao contorno do seu relvado (Fig. K).

- ◆ Com o cortador de relva paralelo com o contorno do relvado, empurre o cortador ao longo do contorno do relvado. Certifique-se de que o contorno do cortador está ligeiramente acima do contorno do relvado (Fig. K).

Substituição da lâmina (Fig. L)

Atenção! Certifique-se de que a lâmina parou completamente e desligue o aparelho da tomada.

Atenção! Utilize apenas a lâmina de substituição especificada.

Atenção! Utilize luvas para trabalhos pesados para segurar na lâmina.

Para retirar a lâmina:

- ◆ Coloque o equipamento de lado.
- ◆ Utilizando luvas para trabalhos pesados, segure na lâmina.
- ◆ Utilize uma chave-inglesa de 13 mm para desapertar e retirar o parafuso da lâmina (10), rodando a chave no sentido inverso ao dos ponteiros do relógio.
- ◆ Retire a lâmina (9) e o parafuso da lâmina (10).

Para substituir a lâmina.

- ◆ Alinhe a lâmina com o veio do parafuso e coloque o parafuso da lâmina (10) no veio do parafuso.

Nota: Ao colocar uma lâmina, o texto da lâmina deverá estar virado para o utilizado.

- ◆ Aperte o parafuso da lâmina (10) o mais possível com a mão.
- ◆ Utilizando luvas para trabalhos pesados, segure na lâmina.
- ◆ Utilize uma chave-inglesa de 13 mm para apertar o parafuso da lâmina (10), rodando a chave no sentido dos ponteiros do relógio.

Cortar (Fig. M1 e M2)

Recomendamos que utilize o cortador como indicado nesta secção para conseguir os melhores resultados e para reduzir o risco de corte do cabo de alimentação.

- ◆ Coloque a maior parte do cabo de alimentação no relvado, perto do ponto de partida (posição 1 na Fig. M1).
- ◆ Ligue o aparelho, tal como descrito anteriormente.
- ◆ Proceda como indicado na Fig. M1
- ◆ Mova da posição 1 para a posição 2.
- ◆ Vire para a direita e continue até à posição 3.
- ◆ Vire para a esquerda e continue para a posição 4.
- ◆ Repita o procedimento indicado em cima, conforme necessário.

Atenção! Não trabalhe em direcção ao cabo como exibido na Fig. N2.

Afiar a lâmina

Nota: A unidade BEMW451 utiliza a lâmina BLACK+DECKER (Cat. n.º A6305). Mantenha a lâmina afiada para obter o melhor desempenho do cortador de relva. Uma lâmina embotada não corta relva de forma limpa. Utilize protecção adequada para os olhos durante a remoção, afiação e instalação da lâmina. Afiar a lâmina duas vezes durante a época de corte é normalmente suficiente, sob circunstâncias normais. A areia leva a que a lâmina fique embotada rapidamente. Se o relvado possuir um solo arenoso poderá ser necessária afiação mais frequente.

Nota: Substitua, de imediato, lâminas dobradas ou danificadas.

Durante a afiação da lâmina:

- ◆ Certifique-se de que a lâmina permanece equilibrada.
- ◆ Afie a lâmina no ângulo de corte original.
- ◆ Afie os gumes de corte em ambas as extremidades da lâmina, removendo quantidades de material iguais em ambas as extremidades.

Afiar a lâmina num torno (Fig. N)

- ◆ Antes de retirar a lâmina, certifique-se de que a lâmina pára e que desliga o cortador de relva.
- ◆ Remova a lâmina do cortador de relva. Consulte as instruções sobre como remover e instalar a lâmina.
- ◆ Fixe a lâmina (9) num torno (11).
- ◆ Use protecção para olhos e luvas adequadas e tenha cuidado para não se cortar. Lime, cuidadosamente, as extremidades de corte da lâmina com uma lima fina (12) ou uma pedra de amolar, mantendo o ângulo da extremidade de corte original. Verifique o equilíbrio da lâmina. Consulte as instruções sobre como equilibrar a lâmina.
- ◆ Volte a instalar a lâmina no cortador e aperte-a com firmeza.

Equilibrar a lâmina (Fig. O)

Verifique o equilíbrio da lâmina (9) colocando o orifício central da lâmina sobre um prego ou numa aparafusadora redonda, fixada horizontalmente num torno. Se alguma das extremidades da lâmina rodar para baixo, lime a aresta afiada do lado que estiver inclinado para baixo. A lâmina está equilibrada correctamente quando nenhuma das extremidades pender.

Lubrificação

Não é necessária qualquer lubrificação. Não coloque óleo nas rodas. Estas possuem superfícies de plástico que não requerem lubrificação.

Limpeza

Desligue o cortador de relva e aguarde até a lâmina parar.

Utilize apenas sabão neutro e um pano húmido para limpar o cortador. Limpe quaisquer aparas que possam ter ficado acumuladas na parte inferior da estrutura. Após várias utilizações, verifique todos os fixadores expostos relativamente ao aperto.

Prevenir a corrosão

Os fertilizantes e outros químicos de jardinagem contêm agentes que aceleram bastante a corrosão de metais. Se cortar em áreas nas quais tenham sido utilizados fertilizantes ou químicos, o cortador deve ser limpo imediatamente a seguir, da forma que se segue:

Desligue o cortador de relva e desligue-o. Limpe todas as partes expostas com um pano húmido.

Manutenção

O seu aparelho/ferramenta com/sem fios BLACK+DECKER foi concebido para funcionar durante muito tempo, com um mínimo de manutenção. O funcionamento contínuo e satisfatório depende de uma manutenção adequada e limpeza regular da ferramenta/aparelho.

Atenção! Antes de proceder a qualquer ação de manutenção em ferramentas eléctricas com cabo/sem fios:

- ◆ Desligue o aparelho/ferramenta e retire a respetiva ficha da tomada.
- ◆ Ou deixe a bateria descarregar completamente se estiver incorporada e, em seguida, desligue-a.
- ◆ Desligue o carregador antes de o limpar. O seu carregador não necessita de manutenção para além da limpeza regular.
- ◆ Limpe regularmente as ranhuras de ventilação da ferramenta/aparelho e do carregador com uma escova suave ou um pano seco.
- ◆ Limpe regularmente o compartimento do motor com um pano húmido. Não utilize produtos de limpeza abrasivos ou à base de solventes.
- ◆ Utilize regularmente uma raspadeira para remover relva e sujidade da parte inferior da protecção.

Resolução de problemas

Se achar que o aparelho não está a funcionar correctamente, respeite as instruções apresentadas em seguida. Se não conseguir resolver o problema, contacte o agente local de reparação BLACK+DECKER.

Atenção! Antes de prosseguir, liberte a barra dos fardos para desligar o cortador de relva, aguarde até a lâmina parar.

Problema	Causa possível	Possível solução
A máquina não funciona.	Alimentação desligada.	Ligue a alimentação.
	Fusível avariado/queimado.	Substitua o fusível.
	Relva muito comprida.	Aumente a altura de corte e coloque o cortador num local onde a relva seja mais curta.
	Corta-circuito térmico activado.	Deixe o motor arrefecer e aumente a altura de corte.
O cortador funciona de forma intermitente.	Corta-circuito térmico activado.	Deixe o motor arrefecer e aumente a altura de corte.
O cortador deixa acabamentos grosseiros ou o motor está em esforço.	Altura de corte demasiado baixa.	Aumente a altura de corte.
	A lâmina de corte está romba.	Substituir a lâmina.
	A parte de baixo do aparelho está obstruída.	Verificar a parte de baixo do aparelho e desobstruir conforme necessário (utilize sempre luvas para trabalhos pesados)
	A lâmina foi colocada ao contrário.	Volte a colocar a lâmina correctamente.

Vibração medida da mão/do braço:
= 2,5m/s², imprecisão (K) = 1,5m/s².

Nível de pressão sonora no ouvido do operador:
L_{PA}: 78,5 dB(A); K= 4,0 dB(A)

Nível de potência sonora L_{WA}: 93 dB(A); K= 3 dB(A)

Declaração de conformidade CE
DIRETIVA "MÁQUINAS"
DIRETIVA SOBRE RUIDO EXTERIOR



Cortador de relva BEMW451

A Black & Decker declara que os produtos descritos nos "dados técnicos" estão em conformidade com:
2006/42/CE, EN 60335-1:2012 + A11:2014, EN 60335-2-77:2010

2000/14/CE, Cortador de Relva, L < 50cm, Anexo VI, Certificação da DEKRA Certification B.V. Meander 1051/P.O. Box 5185

6825 MJ ARNHEM/6802 ED ARNHEM, Holanda.

Nível de potência acústica de acordo com a norma 2000/14/E (Artigo 12, Anexo III, L < 50 cm):

nível de potência sonora medido L_{WA}: 93 dB(A); K=3 dB(A).
nível de potência sonora garantido L_{WA}: 96 dB(A).

Proteção do ambiente



Faça uma recolha de lixo seletiva. Os produtos e as baterias assinaladas com este símbolo não devem ser eliminados juntamente com o lixo doméstico normal.

Os produtos e baterias contêm materiais que podem ser recuperados ou reciclados, reduzindo a necessidade de matérias-primas. Recicle os produtos elétricos e as baterias de acordo com as disposições locais. Estão disponíveis mais informações em www.2helpU.com

Dados técnicos

		BEMW451
Tensão	V _{CA}	230
Alimentação	W	1200
Velocidade sem carga	mín. ⁻¹	3500
Ajuste de altura	mm	23 - 63
Comprimento da lâmina	mm	320
Peso	Kg	8.33

Estes produtos respeitam também as directivas 2014/30/UE, 2011/65/UE. Para obter mais informações, contacte a Black & Decker através do endereço seguinte ou consulte o verso do manual.

O signatário é responsável pela compilação do ficheiro técnico e efetua esta declaração em nome da Black & Decker.

R. Laverick
Director de Engenharia
Black & Decker Europe, 210 Bath Road, Slough,
Berkshire, SL1 3YD
Reino Unido
27/10/2017

Garantia

A Black & Decker confia na qualidade dos seus produtos e oferece aos clientes uma garantia de 24 meses a partir da data de compra. Esta garantia é um complemento dos seus direitos estabelecidos por lei, não os prejudicando de forma alguma. A garantia é válida nos Estados-membros da União Europeia e nos países-membros da Zona Europeia de Comércio Livre.

Para acionar a garantia, esta deve estar em conformidade com os termos e condições da Black & Decker e terá de apresentar comprovativos de compra ao vendedor ou a um agente de reparação autorizado. Os termos e condições da garantia de 2 anos da Black & Decker e a localização do agente de reparação autorizado mais próximo podem ser obtidos na Internet em www.2helpU.com ou contactando uma filial da Black & Decker, cuja morada está indicada neste manual.

Visite o nosso Website www.blackanddecker.co.uk para registar o novo produto Black & Decker e manter-se atualizado relativamente a novos produtos e ofertas especiais.

Avsedd användning

Din BLACK+DECKER BEMW451 gräsklippare har designats för gräsklippning. Denna apparat är endast avsedd för konsumentbruk.

Säkerhetsinstruktioner

Varning! Grundläggande säkerhetsföreskrifter, inklusive nedanstående, ska alltid följas vid användning av nätdrivna redskap så att brand, elektriska stötar och personskador förhindras.

- ◆ Läs hela den här bruksanvisningen noggrant innan du använder apparaten.
- ◆ Avsedd användning beskrivs i den här bruksanvisningen.

Använd inte apparaten med andra tillbehör eller tillsatser än de som rekommenderas i den här bruksanvisningen eftersom detta kan leda till personskador.

- ◆ Spara den här bruksanvisningen för framtida bruk.

Utbildning

- ◆ Läs de här anvisningarna noggrant. Bekanta dig med reglagen och ta reda på hur redskapet ska användas.
- ◆ Låt aldrig barn eller personer som inte har läst de här instruktionerna använda maskinen. Det kan finnas lokala bestämmelser om åldersgräns för användaren.
- ◆ Använd inte maskinen i närheten av andra människor, främst barn eller husdjur.
- ◆ Kom ihåg att det är användaren som ansvarar för olyckor och risker som andra människor eller deras egendom utsätts för.

Förberedelse

- ◆ Bär alltid kraftiga skor och långbyxor när du använder maskinen.
- Var inte barfota och bär inte sandaler med öppen tå när du använder maskinen. Undvik kläder som är löst sittande eller med hängande snören eller band.
- ◆ Inspektera alltid området noggrant där maskinen ska användas och rensa bort alla föremål som kan kastas iväg av maskinen.

- ◆ Innan användning ska du alltid kontrollera om bladet, bladmuttern eller bladenheten är slitna eller skadade. Byt ut slitna eller skadade komponenter i set för att bevara balansen. Byt ut skadade eller oläsliga etiketter.
- ◆ Innan användning kontrollerar du om el- och förlängningssladden visar tecken på skador eller åldrande. Om sladden skadas när du använder redskapet kopplar du omedelbart bort sladden från elnätet. RÖR INTE VID SLADDEN INNAN DEN KOPPLATS IFRÅN UTTAGET. Använd inte maskinen om sladden är skadad eller sliten.
- ◆ Bär alltid skydds- eller korgglasögon när du använder verktyget. Använd ansikts- eller munskydd när du arbetar i dammiga miljöer. Om ljudnivån upplevs som störande ska hörselskydd användas.
- ◆ Förebygg risk för elektriska stötar. Undvik kroppskontakt med jordade ytor (t.ex. metallräcken, lyktstolpar m.m.).

Drift

- ◆ Använd inte redskapet om skyddsplåtar eller sköldar är trasiga eller om säkerhetsanordningarna, t.ex. avvisare och/eller gräsuppsamlare, inte är monterade.
- ◆ Använd endast apparaten i dagsljus eller i tillräcklig artificiell belysning.
- ◆ Utsätt inte redskapet för regn.

Använd inte redskapet när det är fuktigt eller vått. Redskapet ska inte användas i vått gräs.

- ◆ Se till att alltid ha bra fotfäste och var särskilt försiktig när marken sluttar. Tänk på att nyklippt gräs är fuktigt och halt. Använd inte redskapet på branta sluttningar.
- ◆ Arbeta tvärs över sluttningar, inte upp och ner. Var mycket försiktig när du byter riktning vid arbete på sluttningar.
- ◆ Använd inte gräsklipparen i branta sluttningar.
- ◆ Spring inte när du använder redskapet. Dra inte apparaten mot dig och gå inte baklänges med det.
- ◆ Följ anvisningarna när du startar redskapet och se till att inte ha fötterna i närheten av bladet.
- ◆ Starta inte maskinen när du står framför utkastaröppningen.
- ◆ Tippa inte redskapet när du ska starta det om det inte är ett redskap som måste tippas för att kunna startas. Om så är fallet ska du inte tippa redskapet mer än nödvändigt och bara lyfta den del som pekar bort från användaren. Se till så att båda händerna är i rätt läge för användning innan du sätter tillbaka apparaten på marken.
- ◆ Om du måste tippa apparaten för att kunna föra det över ytor som inte består av gräs, eller transportera det till eller från området som ska klippas, ska du först stänga av apparaten och vänta tills bladet har slutat rotera.
- ◆ Lyft eller bär inte redskapet förrän bladet har slutat rotera helt.

- ◆ Håll händer och fötter borta från bladet.
- ◆ Håll inte händer eller fötter i närheten av eller under roterande delar.
- ◆ Stå aldrig framför utmatningsöppningarna.
- ◆ Stäng av redskapet, dra ur nätsladden och försäkra dig om att inga delar roterar om du ska lämna redskapet oövervakat samt när du byter, rengör eller inspekterar det eller tar bort föremål som ligger i vägen. När apparaten kört på ett främmande föremål. Kontrollera om maskinen har skadats och reparera den innan du startar och använder maskinen igen;
- ◆ Stäng av apparaten och dra ut nätsladden om apparaten börjar vibrera ovanligt mycket eller om du stöter på ett främmande föremål. Kontrollera om apparaten har skadats, byt ut eller reparera skadade delar, kontrollera och dra åt eventuella lösa delar.
- ◆ Var noga med att hålla nätsladden borta från bladet. Håll hela tiden reda på var sladden befinner sig.
- ◆ Motorn fortsätter att gå några sekunder efter att redskapet har stängts av. Försök aldrig tvinga bladet att stanna.

Underhåll och förvaring

- ◆ Kontrollera att apparaten inte är skadad eller har defekta delar.

Kontrollera att rörliga komponenter fungerar felfritt och inte kärvar, att inga komponenter är trasiga, att skydd och reglage inte har skadats och att inget annat föreligger som kan påverka redskapets funktioner. Försäkra dig om att redskapet fungerar som det ska och kan användas som avsett. Använd inte redskapet om något skydd eller någon del av höljet är skadat eller inte sitter på plats. Använd inte apparaten om någon del har skadats eller gått sönder. Använd inte apparaten om det inte kan startas och stängas av med strömbrytaren.

Låt en auktoriserad verkstad reparera eller byta ut skadade eller trasiga delar.

- ◆ Kontrollera ofta om sladden har några skador. Om sladden är skadad måste den bytas ut av en auktoriserad verkstad så att ingen fara uppstår. Kontrollera förlängningssladdarna med jämna mellanrum. Byt ut skadade förlängningssladdar omedelbart.
- ◆ För säker användning av redskapet ska du se till att alla muttrar, bultar och skruvar är ordentligt åtdragna.
- ◆ Se efter om gräsuppsamlaren är slitna eller skadade och byt ut den vid behov. Använd aldrig apparaten utan gräsuppsamlaren.
- ◆ Var försiktig vid justering av maskinen för att förhindra att fingrarna fastnar mellan blad som rör sig och maskinens fasta delar.

- ◆ När du reparerar bladet ska du tänka på att bladet kan roteras även om strömmen är avstängd.
- ◆ När apparaten inte används ska den förvaras på en torr plats. Placera apparaten på ett ställe där barn inte kan komma åt den.
- ◆ Låt alltid maskinen svalna innan du ställer undan den.
- ◆ När du byter ut bladet ska du vara noga med att rätt sort används.
- ◆ Använd endast reservdelar och tillbehör som rekommenderas av BLACK+DECKER.
- ◆ Om du någon gång behöver luta gräsklipparen ska du ha båda händerna i rätt läge för användning när gräsklipparen lutas. Håll båda händerna i rätt läge för användning tills gräsklipparen åter står på marken.
- ◆ Lyssna aldrig på radio eller musik i hörlurar när du använder gräsklipparen.
- ◆ Försök aldrig justera hjulhöjden medan motorn är igång eller när säkerhetsnyckeln sitter på sin plats.
- ◆ Om gräsklipparen kör fast ska du stänga av den och vänta tills bladet stannat innan du försäker att ta bort det som fastnat eller tar bort något från klipparens undersida.

Ytterligare säkerhetsanvisningar för gräsklippare

- ◆ Använd alltid en godkänd förlängningssladd som klarar verktygets ineffekt (se Tekniska data). Förlängningssladden måste vara lämplig för utomhusbruk och märkt därefter. Det går att använda en 1,5 mm² HO5VV-F-förlängningssladd som är upp till 30 m lång utan spänningsförlust. Innan du använder sladden, kontrollera att den inte är skadad, sliten eller nött. Byt ut förlängningssladden om den är skadad eller defekt. Om du använder en sladdvinda, vira alltid av sladden fullständigt.
- ◆ Transportera inte maskinen medan strömkällan är påslagen
- ◆ Håll gräsklipparen i ett stadigt grepp med båda händerna vid användning.
- ◆ Håll händerna och fötterna borta från bladområdet.
- ◆ Håll bladen vassa. Använd alltid skyddshandskar när du hanterar gräsklipparens blad.
- ◆ Om du använder gräsuppsamlaren bör du regelbundet kontrollera att den inte är utsliten eller har skadats. Om den är alltför sliten bör du för din egen säkerhet byta ut gräsuppsamlaren mot en ny.
- ◆ Var extra försiktig när du backar eller drar gräsklipparen mot dig.
- ◆ Ha inte händer eller fötter i närheten av eller under gräsklipparen. Stå aldrig framför utmatningsöppningarna.
- ◆ Rensa området där gräsklipparen ska användas från stenar, grenar, ledningar, leksaker, ben osv. eftersom de kan kastas iväg av bladet.

Föremål som träffas av bladet kan orsaka allvarliga personskador. Stanna bakom handtaget när motorn är igång.

- ◆ Var inte barfota och bär inte sandaler när du använder gräsklipparen. Bär alltid kraftiga skor.
- ◆ Dra inte gräsklipparen baklänges om det inte är absolut nödvändigt. Titta alltid nedåt och bakåt innan och medan du drar gräsklipparen baklänges.
- ◆ Rikta aldrig utmatningen mot någon annan. Undvik utmatning mot en vägg eller ett hinder. Material kan studsas tillbaka mot användaren. Släpp starthandtaget för att stänga av gräsklipparen och låt bladet stanna innan du korsar grusområden.
- ◆ Använd inte gräsklipparen om inte gräsuppsamlare, utkastarskydd, bakre skydd och andra säkerhetsanordningarna är monterade och fungerar. Kontrollera alla skydd och säkerhetsanordningarna regelbundet för att säkerställa att de är hela och fungerar som de ska. Byt ut skadade skydd och säkerhetsanordningar innan fortsatt användning.
- ◆ Lämna aldrig gräsklipparen obebaktad när den är igång.
- ◆ Släpp alltid säkerhetsbygeln för att stoppa motorn och vänta tills bladet har stannat helt innan gräsklipparen rengörs, gräsbehållaren tas bort, utkastarskyddet rensas, gräsklipparen lämnas obebaktad eller justeringar, reparationer eller kontroller utförs.

- ◆ Använd bara gräsklipparen i dagsljus eller i bra artificiell belysning när föremål inom arbetsområdet är väl synliga från gräsklipparen arbetsområde.
- ◆ Använd inte gräsklipparen när du är påverkad av alkohol eller droger eller när du är trött eller sjuk. Var alltid uppmärksam, titta på vad du gör och använd vanligt sunt förnuft.
- ◆ Undvik farliga miljöer. Använd aldrig gräsklipparen i fuktigt eller vått gräs och använd den aldrig när det regnar. Se alltid att alltid ha bra fotfäste. Gå alltid, spring aldrig.
- ◆ Om gräsklipparen börjar vibrera på ett onormalt sätt ska du släppa strömbrytaren och vänta tills bladet har stannat och sedan genast orsaken till problemet. Vibrationer innebär oftast problem. Titta i felsökningsguiden för råd vid onormala vibrationer.
- ◆ Bär alltid skyddsglasögon och munskydd när du använder gräsklipparen.
- ◆ Det kan vara farligt att använda tillbehör som inte är rekommenderade för användning med den här gräsklipparen. Använd enbart tillbehör godkända av BLACK+DECKER.
- ◆ Sträck dig inte för långt när du använder gräsklipparen. Se till att du alltid har säkert fotfäste och god balans när du använder gräsklipparen.
- ◆ Arbeta tvärs över slutningar, inte upp och ner. Var mycket försiktig när du byter riktning vid arbete på slutningar.

- ◆ Se upp för hål, hjulspår, gupp, stenar eller andra dolda föremål. Ojämn terräng kan orsaka halk- och fallskador. Långt gräs kan dölja hinder.
- ◆ Klipp inte i vått gräs eller mycket branta sluttningar. Dåligt fotfäste kan orsaka halk- och fallskador.
- ◆ Klipp inte i närheten av branter, diken eller sluttningar. Du kan tappa fotfästet eller balansen.
- ◆ Låt alltid gräsklipparen svalna innan du ställer undan den. Dra ur kontakten från uttaget och ta bort batteripaketet från maskinen. Se till att alla rörliga delar har stannat helt:
 - ◆ Varje gång du lämnar maskinen;
 - ◆ Innan du tar bort en blockering;
 - ◆ Innan du kontrollerar, rengör eller arbetar med apparaten.

Vibrationer

De vibrationsvärden som anges i avsnitten Tekniska data och deklARATIONEN om överensstämmelse har uppmätts i enlighet med en standardtestmetod föreskriven i EN50636 och kan användas för jämförelse med andra verktyg. Det angivna vibrationsvärdet kan även användas för en preliminär utvärdering av exponering. **Varning!** Vibrationsvärdet under faktisk användning av elverktyget kan skilja sig från det uppgivna värdet beroende på hur verktyget används. Vibrationsnivån kan överstiga den uppgivna nivån.

Vid uppskattningar av exponering för vibrationer i syfte att bedöma vilka säkerhetsåtgärder som är nödvändiga enligt 2002/44/EG för att skydda personer som regelbundet använder elverktyg i arbetet ska man utgå från de faktiska omständigheter under vilka elverktyget används och sättet på vilket det används. Bedömningen ska även ta hänsyn till alla moment i arbetscykeln, t.ex. när verktyget är avstängt och när det går på tomgång såväl som när det faktiskt används. Använd inte verktyget om vibrationerna som registreras är onormala.

Andras säkerhet

- ◆ Denna apparat är inte avsedd att användas av personer (inklusive barn) med reducerad fysisk, sensorisk eller mental förmåga eller med begränsad erfarenhet eller kunskap såvida inte de är under uppsikt eller fått instruktioner om användning av apparaten av en person som är ansvarig för deras säkerhet.
- ◆ Barn måste hållas under uppsikt så att de inte leker med apparaten.
- ◆ När apparaten kört på ett främmande föremål. Inspektera apparaten efter skador och reparera om så behövs.

Återstående risker

Ytterligare risker som inte finns med i de bifogade säkerhetsanvisningarna kan uppstå när verktyget används.

Dessa risker kan uppstå vid felaktig användning, långvarig användning, osv. Även om relevanta säkerhetsföreskrifter följs och säkerhetsanordningar monteras kan vissa risker inte undvikas. Dessa omfattar:

- ◆ Skador orsakade av att rörliga delar vidrörs.
- ◆ Skador orsakade av att varma delar vidrörs.
- ◆ Skador som uppstår vid byte av delar eller tillbehör.
- ◆ Skador som orsakas av långvarig användning av apparaten.
Se till att ta regelbundna pauser när du använder en apparat under en längre period.
- ◆ Hörselnedsättning.
- ◆ Hälsorisker orsakade av inandning av damm när redskapet används (exempel: arbete med trä, särskilt ek, bok och MDF)
- ◆ Om användning av gräsklipparen i en fuktig miljö inte kan undvikas bör en jordfelsbrytare användas med en frånsagningsström på inte mer än 30 mA användas. Användning av en jordfelsbrytare minskar risken för elektrisk stöt.
- ◆ Lyft aldrig upp eller bär en apparat medan motorn körs.

Varningssymboler

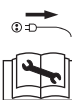
Följande varningssymboler finns på apparaten tillsammans med datumkoden:



Varning! Läs bruksanvisningen innan användning.



Utsätt inte apparaten för regn eller hög luftfuktighet.



Dra alltid ur kontakten ur eluttaget innan du undersöker en skadad sladd. Använd aldrig redskapet om sladden är skadad.



Tänk på att bladet är vasst.



Se upp för flygande föremål. Håll andra personer borta från arbetsområdet.



Håll sladden borta från skärbladen.



Bladet fortsätter att rotera en kort stund efter att du har stängt av maskinen.



Garanterad ljudnivå enligt direktiv 2000/14/EG.

Elsäkerhet



Varning! Eftersom verktyget är dubbelisolerat behövs ingen jordledare. Kontrollera alltid att spänningen på nätet motsvarar den spänning som finns angiven på märkplåten.

- ◆ Om nätsladden är skadad måste den bytas ut av tillverkaren eller ett auktoriserat BLACK+DECKER servicecenter för att undvika fara.

- ◆ Elsäkerheten kan förbättras ytterligare genom att man använder en jordfelsbrytare med hög känslighet (30 mA).

Funktioner

Denna apparat har några eller samtliga av följande funktioner.

1. Kopplingsdosa
2. Strömbrytare
3. Startavtryckare
4. Övre handtag
5. Nedre handtag
6. Gräsupsamlare
7. Motorkåpa
8. Bärhandtag

Montering

Varning! Innan montering, se till att apparaten är avstängd och urkopplad.

Montera gräsupsamlaren (bild A, B och C)

Gräsupsamlaren måste monteras ihop innan användning och består av tre delar.

- ◆ Sätt fast handtaget (6a) på locket (6b) till gräsupsamlaren (bild B). Handtaget passar bara på ett sätt.
- ◆ Passa in locket (6b) på gräsupsamlarens bas (6c). Se till att de fyra markeringarna är inpassade (bild C)

Notera: Var extra noggrann när du passar in de 2 klämmorna på gräsupsamlarens bakre del.

- ◆ Tryck ned locket för att säkerställa att alla klämmor sitter fast. Börja längst bak och säkerställ att alla klämmor är rätt inpassade.

Montera gräsupsamlaren (bild D)

- ◆ Lyft upp luckan (8) och placera gräsbehållaren (6) över flänsarna.

Montera kontaktlådan (bild E)

- ◆ Passa in plaststiften på kontaktlådan (1) med hålen på handtaget (1b) och se till att kontaktlådan sitter längst upp på handtaget.
- ◆ Skjut plaststiften på kontaktlådan (1) hela vägen genom hålen på handtaget.
- ◆ Skjut plastkåpan (1b) i de tunna skenorna på kontaktlådan (1).
- ◆ Fäst plastkåpan (1b) med de två medföljande skruvarna

Montera det nedre handtaget (bild F)

- ◆ Sätt i ändarna på den nedre delen av handtaget (5) i motsvarande öppningar i gräsklipparen.
- ◆ Tryck ner handtaget så långt det går.

- ◆ Fäst handtaget med skruvarna (5a).

Sätta ihop det övre handtaget (bild G)

- ◆ Sätt ihop den övre handtaget (4) med det nedre handtaget (5) med hjälp av rattarna (4a), brickorna (4c) och skruvarna (4b) på det sätt som visas.

Notera: Det övre handtaget kan fästas i 2 olika höjdlägen.

Slå på och av (fig. H)

Slå på

- ◆ Tryck på strömbrytaren till/från (2).
- ◆ Dra startavtryckaren (3) mot handtaget.

Stänga av

- ◆ Släpp startavtryckaren (3).

Varning! Försök aldrig låsa eller fixera strömbrytaren i påslaget läge.

Justera klipphöjden (bild I)

Varning! Se till att bladet har slutat rotera och dra ut nätsladden ur eluttaget.

Klipphöjden justeras genom att ändra höjden på alla hjulen. Det finns tre lägen att välja från.

- ◆ Ta bort gräsupsamlaren (7).
- ◆ Lägg gräsklipparen upp och ned.
- ◆ Håll i ett hjul (24) och tryck/dra axeln från dess nuvarande läge.
- ◆ Flytta hjulet (24) upp/ned till nästa läge.

Notera: Ställ in ett hjul i taget. Ställ in ett höjdläge i taget.

Ändra till kantningsläge (bild J, K)

Ändring av kantningsläget gör att du kan klippa gräs ända fram till en vägg eller ett staket (bild J).

Ändring av kantningsläget gör att du kan noggrant kan klippa gräs ända fram till kanten av gräsmattan (bild K).

- ◆ Med gräsklipparen parallellt med kanten på gräsmattan skjuter du gräsklipparen längs med gräsmattans kant. Se till att kanten på gräsklipparen är något över kanten av gräsmattan (bild K).

Byta ut bladet (bild L)

Varning! Se till att bladet har slutat rotera och dra ut nätsladden ur eluttaget.

Varning! Använd bara det angivna ersättningsbladet.

Varning! Använd kraftiga handskar när du tar i bladet.

Så här tar du bort bladet:

- ◆ Lägg apparaten på sidan.
- ◆ Använd kraftiga handskar och ta tag i bladet.
- ◆ Använd en 13 mm skruvnyckel för att lossa och ta bort bladbulen (10) genom att vrida nyckeln moturs.
- ◆ Ta bort bladet (9) och bladbulen (10).

Byt ut bladet så här:

- ◆ För upp bladet till bultskafvet och placera bladbulnen (10) på bultskafvet.

Notera: När du monterar ett blad ska texten på bladet vara vänd mot dig.

- ◆ Dra åt bladbulnen (10) så hårt du kan för hand.
- ◆ Använd kraftiga handskar och ta tag i bladet.
- ◆ Använd en 13 mm skruvnyckel för att dra åt bladbulnen (10) ordentligt genom att vrida nyckeln medurs.

Klippning (bild M1 och M2)

Vi rekommenderar att du använder gräsklipparen enligt anvisningarna i det här avsnittet, så att du får ett så bra resultat som möjligt och löper mindre risk att klippa av nåt-sladden.

- ◆ Lägga den hoprullade delen av nåt-sladden på gräsmattan nära utgångsläget (läge 1 i bild M1).
- ◆ Slå på redskapet enligt beskrivningen ovan.
- ◆ Utför klippningen såsom visas i bild M1
- ◆ Gå från position 1 till position 2.
- ◆ Sväng åt höger och gå mot läge 3.
- ◆ Sväng åt vänster och gå mot läge 4.
- ◆ Upprepa ovanstående procedurer såsom krävs.

Varning! Arbeta inte i riktning mot nåt-sladden som i bild N2.

Slipa bladet

Notera: BEMW451 använder BLACK+DECKER blad (kat # A6305). För bästa prestanda bör du se till att bladet alltid är vasst. En slött blad varken klipper eller finfördelar gräset ordentligt. Se till att skydda ögonen ordentligt när du tar bort, slipar eller monterar ett blad. Under normala förhållanden räcker det att slipa bladet två gånger under en klippsäsong. Sand gör att bladet snabbt blir slött. Om din gräsmatta växer i sandjord kan du behöva slipa bladet oftare.

Notera: Byt ut böjda eller skadade blad omedelbart.

Vid slipning av bladet:

- ◆ Kontrollera att bladet förblir balanserad.
- ◆ Slipa bladet med den ursprungliga klippningsvinkeln.
- ◆ Slipa skärkanterna i båda ändarna av bladet och avlägsna lika mycket material från båda ändarna.

Slipa ett blad i ett skruvstöd (bild V)

- ◆ Se till att säkerhetsbygeln är släppt, bladet har stannat och att säkerhetsnyckeln och batteripaketet tagits bort innan bladet tas bort.
- ◆ Ta bort bladet från gräsklipparen. Se instruktionen för borttagning och installation av bladet.
- ◆ Fäst bladet (9) i ett skruvstöd (11).
- ◆ Använd ordentliga ögonskydd och handskar och var försiktig så att du inte skär dig. Fila bladets skärkanter försiktigt med en fintandad fil (12) eller ett bryne för att återskapa den ursprungliga skärkanten. Kontrollera bladbalansen. Se instruktioner för bladbalansering.
- ◆ Sätt tillbaka bladet på gräsklipparen och dra åt ordentligt.

Bladbalansering (bild O)

Du kontrollerar bladets (9) balans genom att placera bladets centrumhål runt en spik eller en skruvmejsel med runt skaft som fästs horisontellt i ett skruvstöd. Om någon ände hos bladet roterar nedåt, fila längs den vassa kanten på änden som roterar nedåt. Bladet är korrekt balanserat när ingen ände droppar ned.

Smörjning

Ingen smörjning behövs. Häll inte olja på hjulen. Hjulens lagerytor är av plast och behöver inte smörjas.

Rengöring

Stäng av gräsklipparen och låt bladet stanna helt. Använd bara mild tvål och en fuktig trasa för att rengöra gräsklipparen. Ta bort eventuella gräsrester som kan ha samlats under gräsklipparen. Efter flera användningar bör du kontrollera alla utsatta fästelement är ordentligt åtdragna.

Förebygga korrosion

Gödningssmedel och andra trädgårdskemikalier innehåller ämnen som i hög grad påskyndar korrosion av metaller. Om du klipper i områden där gödningssmedel eller kemikalier har använts bör gräsklipparen rengöras så här efteråt:

Stäng av gräsklipparen och koppla ifrån gräsklipparen. Torka av alla åtkomliga delar med en fuktig trasa.

Underhåll

Din kabelanslutna/sladdlösa BLACK+DECKER-apparat/verktyg är konstruerad för att fungera en lång tid med minsta möjliga underhåll. Med rätt underhåll och regelbunden rengöring behåller verktyget/apparaten sin funktion.

Varning! Innan något underhåll utförs på sladdanslutna/sladdlösa elverktyg:

- ◆ Stäng av apparaten/verktyget och dra ur nätkontakten.
- ◆ Om batteriet är inbyggt låter du det laddas ur helt innan avstängningen.
- ◆ Dra ur sladden till laddaren innan du rengör den. Laddaren behöver inget annat underhåll än regelbunden rengöring.
- ◆ Rengör regelbundet verktyget/apparaten luftintag med en mjuk borste eller torr trasa.
- ◆ Rengör motorhöljet regelbundet med en fuktig trasa. Använd aldrig något slipande eller lösningsmedelsbaserat rengöringsmedel.
- ◆ Ta med jämna mellanrum bort gräs och smuts från skyddets undersida med en slö skrapa.

Felsökning

Om apparaten inte fungerar som den ska följer du instruktionerna nedan. Om problemet kvarstår kontaktar du närmaste BLACK+DECKER-verkstad.

Varning! Innan du fortsätter, släpp säkerhetsbygeln för att stänga av gräsklipparen, väntar tills bladet stannat.

Problem	Möjlig orsak	Möjlig lösning
Maskinen fungerar inte.	Strömmen är frånslagen.	Slå på strömmen.
	Säkring trasig/ utlöst.	Byt säkring.
	Gräset är för långt.	Öka klipphöjden och flytta maskinen till kortare gräs för att starta.
	Överhettningsskyddet är aktiverat.	Låt motorn svalna och öka klipphöjden.
Maskinen fungerar bara ibland.	Överhettningsskyddet är aktiverat.	Låt motorn svalna och öka klipphöjden.
Maskinen klipper ojämnt eller motorn arbetar hårt.	Klipphöjden är för låg.	Öka klipphöjden.
	Skärbladet är slött.	Sätt tillbaka bladet.
	Maskinens undersida har täppts igen.	Titta under maskinen och rensa bort så mycket som möjligt (ha alltid kraftiga handskar)
	Skärbladet sitter upp och ned.	Montera om skärbladet korrekt.

Skydda miljön



Separat insamling. Produkter och batterier som är markerade med denna symbol får inte kastas i de vanliga hushållsoporna.

Produkterna och batterierna innehåller material som kan återvinnas eller återanvändas, vilket sänker behovet av råmaterial. Återvinn elektriska produkter och batterier enligt lokala bestämmelser. Närmare information finns tillgänglig på www.2helpU.com

Tekniska data

		BEMW451
Spänning	V_{AC}	230
Energiinmatning	W	1200
Tomgångshastighet	min^{-1}	3500
Höjjustering	mm	23 - 63
Bladlängd	mm	320
Vikt	Kg	8,33

Vibrationspåverkan på hand/arm:

= $2,5\text{m/s}^2$, osäkerhet (K) = $1,5\text{m/s}^2$.

Ljudtrycksnivå vid operatörens öra:

L_{PA} : 78,5dB(A); K= 4,0dB(A)

Ljudtrycksnivå L_{WA} : 93dB(A); K= 3dB(A)

EG-försäkringen om överensstämmelse MASKINDIREKTIVET BULLERFÖRESKRIFTER, UTMOMHUS



BEMW451 gräsklippare

Black & Decker försäkrar att dessa produkter, beskrivna under "tekniska data" uppfyller:

2006/42/EG, EN 60335-1:2012 + A11:2014, EN 60335-2-77:2010

2000/14/EG, Gräsklippare, L < 50 cm, Annex VI,

DEKRA Certification B.V. Meander 1051 / P.O. Box 5185
6825 MJ ARNHEM / 6802 ED ARNHEM Nederländerna.

Den akustiska effekten enligt 2000/14/EG (Artikel 12, Annex III, $L \leq 50\text{cm}$):

Ljudtrycksnivå L_{WA} : 93dB(A); K= 3dB(A).
garanterad ljudtrycksnivå L_{WA} : 96dB(A).

De här produkterna överensstämmer även med direktiven 2014/30/EU och 2011/65/EU. För ytterligare information kontakta Black & Decker på följande adress, eller se handbokens baksida.

Undertecknad är ansvarig för sammanställningen av tekniska data och gör denna försäkringen för Black & Decker.

R. Laverick
Director of Engineering
Black & Decker Europe, 210 Bath Road, Slough,
Berkshire, SL1 3YD
Storbritannien
2017-10-27

Garanti

Black & Decker är säker på kvaliteten hos denna produkt och erbjuder kunder 24 månaders garanti från inköpsdatumet. Garantin gäller utöver konsumentens rättigheter enligt lag och påverkar inte dessa. Garantin är giltig i de områden som tillhör medlemsstaterna i Europeiska unionen och det europeiska frihandelsområdet.

SVENSKA

(Översättning av originalanvisningarna)

För yrkande under garantin måste yrkandet vara in enlighet med Black & Deckers villkor och du kommer att behöva skicka in bevis på köpet till försäljaren eller en auktoriserad reparatör. Villkoren för Black & Deckers tvååriga garanti och var du hittar din närmaste auktoriserade reparatör kan erhållas på internet på www.2helpU.com, eller genom att kontakta ditt lokala Black & Decker kontor på adressen som angetts i denna bruksanvisning.

Besök vår webbplats www.blackanddecker.se för att registrera din nya Black & Decker-produkt samt för att få information om nya produkter och specialerbjudanden.

NORSK

(Oversettelse av de opprinnelige instruksjonene)

Tiltent bruk

Denne BLACK+DECKER BEMW451 gressklipperen er konstruert for å klippe gress. Apparatet er kun beregnet for privat bruk.

Sikkerhetsinstruksjoner

Advarsel! Når du bruker produkter som drives med strøm fra nettet, må du alltid ta grunnleggende sikkerhetsforholdsregler, blant annet punktene som er beskrevet nedenfor, så du reduserer risikoen for brann, elektrisk støt og personskade.

- ◆ Les hele denne håndboken nøye før du bruker produktet.
- ◆ Beregnet bruk er beskrevet i denne håndboken. Hvis du bruker annet tilbehør, kobler til annet utstyr eller bruker dette apparatet til andre oppgaver enn det som er anbefalt i denne håndboken, kan det føre til fare for personskade.
- ◆ Ta vare på denne håndboken for fremtidig bruk.

Opplæring

- ◆ Les disse instruksjonene grundig.

(Oversettelse av de opprinnelige instruksjonene)

NORSK

Gjør deg kjent med hvordan man betjener og bruker apparatet på riktig måte.

- ◆ La aldri barn eller personer som ikke kjenner disse instruksjonene, bruke maskinen. Lokale bestemmelser kan legge begrensninger på brukerens alder.
- ◆ Ikke bruk maskinen hvis det er personer, spesielt barn, eller dyr i nærheten.
- ◆ Husk at operatøren eller brukeren vil bli gjort ansvarlig for ulykker eller farer andre personer eller deres eiendom blir utsatt for.

Forberedelse

- ◆ Bruk alltid kraftig fottøy og lange bukser mens du bruker maskinen. Ikke bruk maskinen når du er barbert, eller bruker åpne sandaler. Unngå klær som sitter løst, eller har snorer eller bånd som henger.
- ◆ Kontroller nøye området der maskinen skal brukes, og fjern alle gjenstander som maskinen kan kaste.
- ◆ Før bruk må du alltid se etter at bladet, bladskruen og bladenheten ikke er slitt eller skadet. Bytt ut slitte eller skadde komponenter i sett for å opprettholde balansen. Erstatt skadet eller uleselig merking.
- ◆ Før bruk må du kontrollere strømledning og skjøteledning for tegn på skade eller aldring. Hvis ledningen blir skadet under bruk, må du øyeblikkelig koble produktet fra strømtilførselen.

IKKE TA PÅ STRØMLEDNINGEN FØR DEN ER KOBLET FRA STIKKONTAKTEN. Ikke bruk maskinen hvis ledningen er skadet eller slitt.

- ◆ Benytt vernebriller når du bruker dette produktet. Bruk ansiktsmaske eller støvmaske når det er støv i området der du arbeider. Bruk hørselvern når lydnivået er ubehagelig.
- ◆ Vern mot elektrisk støt. Unngå å komme i kontakt med jordede overflater (for eksempel metallrekkverk, lyktestolper osv.).

Bruk

- ◆ Ikke bruk produktet med defekte vern eller skjold eller uten at sikkerhetsutstyr, for eksempel deflektorer og/eller gressamlere, er på plass.
- ◆ Bruk apparatet bare i dagslys eller god kunstig belysning.
- ◆ Ikke utsett produktet for regn. Ikke bruk produktet hvis det er fuktig eller vått. Produktet skal helst ikke brukes i vått gress.
- ◆ Pass på at du har godt fotfeste, særlig i skråninger. Husk at nylig kuttet gress er fuktig og glatt. Ikke arbeid i bratte skråninger.
- ◆ Arbeid på langs av skråninger, aldri opp og ned. Vær svært forsiktig når du endrer retning i skråninger.
- ◆ Ikke klipp gresset i svært bratte skråninger.
- ◆ Gå, og løp aldri, når du bruker produktet.

Ikke trekk produktet mot deg, og gå ikke baklengs når du bruker det.

- ◆ Skru på produktet i samsvar med instruksjonene, og ha føttene godt unna bladet.
- ◆ Ikke start maskinen når du står foran utmatingsåpningen.
- ◆ Ikke vipp produktet når du slår det på, hvis det ikke må vippes for starting. I så fall, vipper du ikke produktet mer enn absolutt nødvendig og løfter bare den delen som er lengst fra brukeren. Pass alltid på at begge hender er i betjeningsposisjon før du setter produktet ned på bakken igjen.
- ◆ Slå av produktet, og vent til bladenheten stanser hvis produktet må vippes for flytting når du krysser andre overflater enn gress, og når du flytter produktet til og fra området som skal klippes.
- ◆ Ikke løft eller bær produktet før bladet har stanset helt.
- ◆ Hold hendene og føttene godt unna bladet.
- ◆ Ikke ha hendene eller føttene i nærheten av eller under roterende deler.
- ◆ Hold deg alltid unna utmatingsåpninger.
- ◆ Slå av produktet, trekk støpselet ut av stikkontakten, og forsikre deg om at bevegelige deler har sluttet å rotere før du lar produktet stå uten tilsyn, og før du skifter, rengjør eller kontrollerer noen deler av produktet eller fjerner en blokkering. Etter at du har truffet en fremmed gjenstand.

Undersøk om maskinen er skadet, og utfør reparasjoner før du starter og bruker maskinen på nytt;

- ◆ Hvis produktet begynner å vibrere unormalt, eller hvis du treffer en fremmed gjenstand, slår du av produktet og trekker støpselet ut av stikkontakten. Undersøk om maskinen er skadet, bytt eller reparer skadete deler, undersøk om deler er løse, og stram om nødvendig.
- ◆ Pass på å holde strømledningen unna bladet. Vær alltid oppmerksom på hvor ledningen er.
- ◆ Motoren fortsetter å gå noen sekunder etter at du har slått av produktet. Prøv aldri å stanse bladet med makt.

Vedlikehold og oppbevaring

- ◆ Kontroller at apparatet ikke er skadet eller har defekte deler før du bruker det. Kontroller at bevegelige deler ikke er ute av posisjon og ikke klemmes fast, at deler, inkludert vern eller brytere, ikke er skadet, og at det ikke er andre forhold som kan virke inn på funksjonen. Forsikre deg om at produktet fungerer riktig og utfører funksjonen det er beregnet for. Bruk aldri produktet hvis vern eller deksler er skadet eller ute av posisjon. Ikke bruk apparatet hvis en del er skadet eller defekt. Ikke bruk apparatet hvis det ikke kan slås på og av med bryteren.

Overlat reparasjon eller utskifting av skadde eller defekte deler til et autorisert serviceverksted.

- ◆ Kontroller ofte at kabelen ikke er skadet. Hvis kabelen er skadet, må den skiftes hos et autorisert serviceverksted så man unngår fare. Undersøk skjøteledninger regelmessig. Skift ut skjøteledningen straks hvis den er skadet.
- ◆ Pass på at alle muttere og skruer på produktet er godt tilskrudd, så du sikrer trygge arbeidsforhold.
- ◆ Kontroller om gressoppsamleren er slitt eller skadet, og bytt den hvis det trengs. Bruk aldri produktet uten gressoppsamleren.
- ◆ Vær forsiktig når du justerer maskinen så du unngår å klemme fingrene mellom bevegelige og faste deler på maskinen.
- ◆ Når du vedlikeholder bladene, må du være klar over at selv om strømmen er av, kan bladene fremdeles bevege seg.
- ◆ Når det ikke er i bruk, skal apparatet oppbevares på et tørt sted. Barn skal ikke ha tilgang til apparater som oppbevares.
- ◆ La alltid maskinen bli avkjølt før den oppbevares.
- ◆ Pass på at det bare brukes reserveskjæperedskaper av riktig type.
- ◆ Bruk bare reservedeler og tilbehør som anbefales av BLACK+DECKER.

Ytterligere sikkerhetsinstruksjoner for gressklippere

- ◆ Bruk alltid en godkjent skjøteledning som passer til inngangseffekten for

- dette verktøyet (se tekniske data). Skjøteledningen må passe for utendørs bruk og skal være merket i samsvar med dette. Opptil 30 m 1.5 mm² HO5VV V-F-skjøteledning kan brukes uten tap av ytelse for produktet. Før bruk må du undersøke skjøteledningen for tegn på skade, slitasje og aldring. Bytt skjøteledningen hvis den er skadet eller defekt. Vikle alltid ut kabelen fullstendig når du bruker en kabeltrommel.
- ◆ Ikke transporter maskinen mens strømkilden er aktiv
 - ◆ Hold godt fast i håndtaket med begge hender når du bruker gressklipperen.
 - ◆ Hvis det på noe tidspunkt er nødvendig å vippe gressklipperen til én side, sørg for at begge hender forblir i denne betjeningsposisjonen mens gressklipperen vippes. Hold begge hender i betjeningsposisjonen helt til gressklipperen er satt riktig tilbake på bakken igjen.
 - ◆ Du må aldri bruke hodetelefoner for radio eller musikk når du bruker gressklipperen.
 - ◆ Forsøk aldri å justere høyden på hjulene mens motoren går, eller mens sikkerhetsnøkkelen er i bryterhuset.
 - ◆ Hvis gressklipperen kjører seg fast, slipper du sikkerhetshåndtaket for å slå gressklipperen av, venter til bladet har stoppet før du prøver å fjerne tilstoppingen av utmatingen eller fjerne noe under dekkelet.
 - ◆ Hold hendene og føttene borte fra skjæreområdet.
 - ◆ Hold bladene skarpe. Bruk alltid vernehansker når du håndterer bladet på gressklipperen.
 - ◆ Hvis du bruker gressoppsamleren, må du jevnlig kontrollere om den er slitt eller skadet. Hvis den er svært slitt, må du bytte den ut med en ny gressoppsamler for din egen sikkerhets skyld.
 - ◆ Vær svært forsiktig når du kjører gressklipperen bakover eller trekker den mot deg.
 - ◆ Ikke ha hendene eller føttene i nærheten av eller under gressklipperen. Hold deg alltid unna utmatingsåpningen.
 - ◆ Rydd området der gressklipperen skal brukes, for gjenstander som steiner, pinner, tråder, leker, bein osv. som bladet kan kaste. Gjenstander som treffes av bladet, kan påføre personer alvorlige skader. Hold deg bak håndtaket når motoren er i gang.
 - ◆ Ikke bruk gressklipperen barbert eller når du har på sandaler. Bruk alltid solid fottøy.
 - ◆ Ikke trekk gressklipperen bakover med mindre det er absolutt nødvendig. Se alltid nedover og bak før og mens du beveger deg bakover.
 - ◆ Du må aldri rette materiale som kastes ut, mot noen. Unngå at materiale blir kastet ut mot en vegg eller hindring. Materiale kan bli kastet tilbake mot brukeren. Slipp sikkerhetshåndtaket for å slå gressklipperen av og stoppe bladet når du krysser gruslagte flater.

- ◆ Ikke bruk gressklipperen med mindre hele gressoppsamleren, utmatingsvernet, det bakre vernet eller annet sikkerhetsutstyr er på plass og fungerer. Kontroller alle verneinnretninger og alt sikkerhetsutstyr regelmessig for å sikre at dette er i god stand, fungerer riktig og utfører den funksjonen det er beregnet for. Hvis et vern eller annet sikkerhetsutstyr er skadet, bytter du det ut før videre bruk.
- ◆ Du må aldri la en gressklipper være uten tilsyn når den går.
- ◆ Slipp alltid sikkerhetshåndtaket for å stoppe motoren, vent til bladet stopper helt før du rengjør gressklipperen, tar av gressoppsamleren eller fjerner tilstopping ved utmatingsvernet, når du forlater gressklipperen, eller før du utfører noen justeringer, reparasjoner eller kontroller.
- ◆ Bruk gressklipperen bare i dagslys eller godt kunstig lys når gjenstander i banen til bladet er godt synlige fra betjeningsområdet for gressklipperen.
- ◆ Ikke bruk gressklipperen dersom du er påvirket av alkohol eller rusmidler, eller dersom du er trøtt eller syk. Vær alltid oppmerksom, se hva du gjør og bruk sunn fornuft.
- ◆ Unngå farlige omgivelser. Du må aldri bruke gressklipperen i fuktig eller vått gress, og aldri når det regner. Pass på at du alltid har godt fotfeste. Gå, aldri løp.
- ◆ Hvis gressklipperen begynner å vibrere unormalt, slipper du sikkerhetshåndtaket og venter til bladet stopper. Undersøk deretter straks årsaken. Unormal vibrasjon er vanligvis en advarsel om at noe er galt. Du kan se etter råd i problemløsningsveiledningen i slike tilfeller.
- ◆ Bruk alltid tilfredsstillende øye- og åndedrettsbeskyttelse når du bruker gressklipperen.
- ◆ Det kan være farlig å bruke tilbehør eller tilkoblet utstyr som ikke er anbefalt for bruk sammen med denne gressklipperen. Bruk bare tilbehør som er godkjent av BLACK+DECKER.
- ◆ Du må aldri strekke deg for langt når du bruker gressklipperen. Pass på at du alltid har sikkert fotfeste og god balanse mens du bruker gressklipperen.
- ◆ Slå gresset på langs av skråninger, aldri opp og ned. Vær svært forsiktig når du endrer retning i skråninger.
- ◆ Se opp for hull, spor, humper, steiner eller andre skjulte ting. Ujevnt terreng kan føre til uhell der man sklir og faller. Høyt gress kan skjule hindringer.
- ◆ Ikke bruk gressklipperen på vått gress eller i svært bratte skråninger. Dårlig fotfeste kan føre til uhell der man sklir og faller.
- ◆ Ikke bruk gressklipperen i nærheten av skråninger, grøfter eller skrenter. Du kan miste fotfestet eller balansen.
- ◆ La alltid gressklipperen bli avkjølt før den settes til oppbevaring.

Dra ut støpselet fra stikkontakten og dra batteripakken ut av maskinen. Sørg for at alle bevegelige deler står fullstendig i ro:

- ◆ Når du forlater maskinen;
- ◆ Før du fjerner en tilstopping;
- ◆ Før du kontrollerer, rengjør eller arbeider på maskinen.

Vibrasjon

Vibrasjonsemissjonsverdien som er angitt under tekniske data og samsvarserklæring, er blitt målt i henhold til en standard testmetode som er angitt i EN50636, og kan brukes til å sammenligne et verktøy med et annet. Den oppgitte vibrasjonsemissjonsverdien kan også brukes til en foreløpig vurderinger av eksponering.

Advarsel! Vibrasjonsemissjonsverdien under faktisk bruk av elektroverktøyet kan avvike fra den oppgitte verdien avhengig av måten verktøyet blir brukt på. Vibrasjonsnivået kan øke over nivået som er oppgitt. Når det vurderes vibrasjonseksponering for å avgjøre hvilke sikkerhetstiltak som kreves ifølge 2002/44/EF, for å beskytte personer som bruker elektroverktøy regelmessig til arbeidsformål, skal det, når vibrasjonseksponeringen anslås, tas hensyn til de faktiske bruksforholdene og måten verktøyet blir brukt på. Dette inkluderer å ta hensyn til alle deler av brukssyklusen, for eksempel når verktøyet er avslått, når det går på tomgang og når utløseren er trykket inn. Ikke bruk verktøyet dersom du merker unormal vibrasjon.

Andre personers sikkerhet

- ◆ Apparatet er ikke ment for bruk av personer (inkludert barn) med redusert fysiske, sensoriske eller mentale evner, eller mangel på erfaring og kunnskap, med mindre de får tilsyn eller har blitt opplært i bruk av apparatet av en person ansvarlig for deres sikkerhet.
- ◆ Hold barn under oppsyn for å passe på at de ikke leker med apparatet.
- ◆ Etter at du har truffet en fremmed gjenstand. Inspiserer apparatet for skade og utfør reparasjoner hvis nødvendig.

Restrisikoer

Når verktøyet brukes, kan det oppstå ytterligere risikoer som kanskje ikke er beskrevet i de medfølgende sikkerhetsadvarslene. Disse risikoene kan bli forårsaket av feil bruk, langvarig bruk osv. Selv når du følger relevante sikkerhetsforskrifter og bruker sikkerhetsutstyr, er det visse gjenværende risikoer som ikke kan unngås. Disse inkluderer:

- ◆ Personskader som forårsakes av berøring av en bevegelig del.
- ◆ Personskader som forårsakes av berøring av en varm del.
- ◆ Personskader som forårsakes av at en del eller tilbehør byttes.
- ◆ Personskader som forårsakes av langvarig bruk av produktet. Når du bruker et produkt i lange perioder, må du sørge for å ta regelmessige pauser.

- ◆ Hørselskader.
- ◆ Helsefarer som skyldes innånding av støv som dannes når du bruker verktøyet (for eksempel under arbeid med tre, spesielt eik, bøk og MDF.)
- ◆ Hvis bruk av gressklipperen i fuktige omgivelser er uunngåelig, må du bruke en jordfeilbryter (RCD) med utløsningsstrøm på maksimalt 30 mA. Bruk av jordfeilbryter (RCD) reduserer risikoen for elektrisk støt.
- ◆ Aldri plukk opp eller bær et apparat mens motoren er i gang.

Advarselssymboler

Følgende advarselssymboler vises på verktøyet sammen med datokoden:



Advarsel! Les håndboken før bruk.



Ikke utsett maskinen for regn eller høy fuktighet.



Trekk alltid støpselet ut av kontakten før du inspiserer en ødelagt ledning. Ikke bruk maskinen hvis ledningen er skadet.



Se opp for skarpe blader.



Se opp for gjenstander som kastes rundt. Hold personer i nærheten borte fra klippeområdet.



Hold kabelen borte fra skjæreblader.



Bladene vil fortsette å rotere etter at maskinen er slått av.



Garantert lydeffekt i henhold til direktiv 2000/14/EU.

Elektrisk sikkerhet



Advarsel! Dette verktøyet er dobbeltisolert. Jording er derfor ikke nødvendig. Kontroller alltid at strømforsyningen samsvarer med spenningen på merkeskiltet.

- ◆ Hvis strømledningen blir skadet, må den byttes av produsenten eller et autorisert BLACK+DECKER-servicesenter for å unngå fare.
- ◆ Elektrisk sikkerhet kan forbedres ytterligere ved bruk av jordfeilbryter på 30 mA med høy følsomhet (RCD).

Funksjoner

Dette apparatet har noen av eller alle funksjonene nedenfor.

1. Koblingsboks
2. Av/på-knapp
3. Startavtrekker
4. Håndtak, øvre del
5. Håndtak, nedre del
6. Gressoppsamler
7. Motordeksel
8. Bærehåndtak

Montering

Advarsel! Før monteringen må du passe på at verktøyet er slått av, og at støpselet er trukket ut.

Montere gressoppsamleren (figur A, B og C)

Gressoppsamleren må monteres før bruk, den leveres i 3 deler.

- ◆ Fest håndtaket (6a) i lokket (6b) på gressamleren (fig. B). Håndtaket passer bare på én måte.

- ◆ Sett lokket (6b) på underdelen av gressoppsamlingsboksen (6c). Pass på at styretappene er i riktig posisjon (figur C)

Merk: Vær ekstra omhyggelig når du plasserer de 2 klemmene bak på gressoppsamlingsboksen.

- ◆ Trykk lokket ned for å feste alle klemmene. Begynn bak, og pass på at alle klemmene er festet godt.

Sette på gressoppsamlingsboksen (Fig. D)

- ◆ Løft klaffen (8) og sett gressoppsamlingsboksen (6) over tappene.

Montere bryterhuset (figur E)

- ◆ Plasser plasttappene på bryterhuset (1) mot hullene på håndtaket (1b), og pass på at bryterhuset er på den øvre kanten av håndtaket.
- ◆ Trykk plasttappene på bryterhuset (1) helt gjennom hullene i håndtaket.
- ◆ Skyv plastdekselet (1b) inn i de tynne føringene i bryterhuset (1).
- ◆ Fest plastdekselet (1b) med de 2 skruene som følger med

Montere det nedre håndtaket (figur F)

- ◆ Sett endene av den nedre delen (5) av håndtaket i de tilsvarende hullene i maskinen.
- ◆ Trykk håndtaket så langt ned som det går.
- ◆ Fest håndtaket med skruene (5a).

Montere øvre del av håndtaket (figur G)

- ◆ Fest øvre håndtak (4) på nedre håndtak (5) med knottene (4a), skiver (4c) og skruer (4b) som vist.

Merk: Den øvre delen av håndtaket kan festes i 2 ulike høydeposisjoner.

Slå på og av (figur H)

Slå på

- ◆ Trykk på AV/PÅ-knappen (2).
- ◆ Trekk på/av-bryteren (3) mot håndtaket.

Slå av

- ◆ Slipp startavtrekkeren (3).

Advarsel! Ikke prøv å låse en bryter i stillingen "på".

Justere skjærehøyden (Fig. I)

Advarsel! Pass på at bladet har stoppet helt, og koble maskinen fra strømmen.

Du justerer skjærehøyden ved å endre høyden på alle hjulene, og du kan velge mellom 3 posisjoner.

- ◆ Ta av gressoppsamlingsboksen (7).
- ◆ Snu gressklipperen opp-ned.
- ◆ Ta tak i et hjul (24), og skyv/trekk akselen bort fra sin nåværende plassering.
- ◆ Flytt hjulet (24) opp/ned til neste tilgjengelige plassering.

Merk: Juster ett hjul om gangen. Juster én høydeposisjon om gangen.

Kantklippingsmodus (figur J, K)

Med kantklipping kan du klippe gress helt ut til kanten ved en vegg eller et gjerde (figur J).

Med kantklipping kan du klippe gress nøyaktig helt ut til kanten av plenen (figur K).

- ◆ Med gressklipperen parallell med kanten av plenen, skyv gressklipperen langs kanten av plenen. Sørg for at kanten av klipperen er litt utenfor kanten av plenen (figur K).

Bytte blad (figur L)

Advarsel! Pass på at bladet har stoppet helt, og koble maskinen fra strømmen.

Advarsel! Bruk bare det angitte reservebladet.

Advarsel! Bruk arbeidshansker når du tar i bladet.

Fjerne bladet:

- ◆ Legg maskinen på siden.
- ◆ Bruk arbeidshansker, og ta tak i bladet.
- ◆ Bruk en fastnøkkel på 13 mm til å løsne og ta ut bladbolten (10) ved å dreie nøkkelen mot klokken.
- ◆ Fjern bladet (9) og bladbolten (10).

Slik bytter du bladet:

- ◆ Plasser bladet på akselen, og sett bladbolten (10) inn i akselen.

Merk: Når du setter på et blad, skal teksten på bladet vende mot deg.

- ◆ Skru til bladbolten (10) så fast som mulig for hånd.
- ◆ Bruk arbeidshansker, og ta tak i bladet.
- ◆ Bruk en fastnøkkel på 13 mm til å skru til bladbolten (10) godt ved å dreie nøkkelen med klokken .

Klippe (Fig. M1 og M2)

Vi anbefaler at du bruker gressklipperen som vist i denne delen for å oppnå best mulig resultat og redusere risikoen for å kutte strømledningen.

- ◆ Legg det meste av strømledningen på plenen i nærheten av startpunktet (posisjon 1 i figur M1).
- ◆ Slå maskinen på som beskrevet ovenfor.
- ◆ Gå frem som vist i figur M1
- ◆ Beveg deg fra posisjon 1 til posisjon 2.
- ◆ Snu mot høyre, og fortsett mot posisjon 3.
- ◆ Snu mot venstre, og fortsett mot posisjon 4.
- ◆ Gjenta fremgangsmåten ovenfor etter behov.

Advarsel! Ikke arbeid mot kabelen som vist i figur N2.

Slipe bladet

Merk: BEMW451 bruker BLACK+DECKER blad kat.nr.

A6305). Hold bladet skarpt for å oppnå best mulig resultat.

Et sløvt blad klipper ikke gresset rent. Bruk tilfredsstillende øyebeskyttelse når du demonterer, sliper og monterer et blad.

I normale forhold er det vanligvis tilstrekkelig å slipe bladet to ganger i løpet av en klippeseson.

Sand gjør at bladet blir raskt sløvt. Hvis plenen har sandete jordbunn, kan det være nødvendig å slipe oftere.

Merk: Skift straks ut bøyde eller skadde blad.

Når du sliper bladet:

- ◆ Sørg for at bladet holder seg balansert.
- ◆ Slip bladet i den opprinnelige klippevinkelen.
- ◆ Slip klippeskantene på begge endene av bladet, og ta vekk like mye materiale på begge ender.

Slik sliper du blad i en skrustikke (figur N)

- ◆ Pass på at sikkerhetskåp er løsnet, at bladet har stoppet og at gressklipperen er frakoblet før du tar av bladet.
- ◆ Ta bladet av gressklipperen. Se anvisningene om montering og demontering av bladet.
- ◆ Sikre bladet (9) i en skrustikke (11).
- ◆ Bruk vernebriller og hansker, vær forsiktig så du ikke skjærer deg. Fil forsiktig på bladets egger med en fintannet fil (12) eller et bryne, oppretthold den opprinnelige eggen. Kontroller at bladet er i balanse. Se anvisningene om bladbalansering.
- ◆ Sett bladet på gressklipperen igjen og trekk godt til.

Balansere bladet (figur O)

Du kan kontrollere bladets (9) balanse ved å sette en spiker eller en skrutebrett med rund klinge som er spent fast horisontalt i en skrustikke, gjennom midthullet på bladet. Hvis noen av endene på bladene roterer nedover, fil langs den skarpe kanten på det hengende bladet. Bladet er korrekt balansert når ingen ende svinger ned.

Smøring

Det er ikke nødvendig med smøring. Du må ikke olje hjulene. De har hjullagre med overflater i plast som ikke trenger smøring.

Rengjøring

Slå av gressklipperen og la bladet stoppe helt. Bare bruk mild såpe og en fuktig klut til å rengjøre gressklipperen. Rengjør gressklipperen for avklipp som kan ha samlet seg på undersiden. Etter flere gangers bruk, kontroller at alle utsatte fester er stramme.

Forhindre rust

Kunstgjødsel og andre hagekjemikalier inneholder stoffer som fører til at metaller ruster fortere. Hvis du klipper i områder hvor det er blitt brukt kunstgjødsel eller kjemikalier, bør gressklipperen straks rengjøres på følgende måte: Slå av gressklipperen og trekk ut støpset. Tørk alle utsatte deler med en fuktig klut.

Vedlikehold

BLACK+DECKER-apparatet/verktøyet med ledning/batteri er laget for å brukes over lang tid med et minimum av vedlikehold. Verktøyet/apparatet er avhengig av riktig stell og regelmessig rengjøring for å fungere som det skal til enhver tid.

Advarsel! Før du utfører vedlikehold på elektriskdrevet/batteridrevet elektroverktøy:

- ◆ Slå av apparatet/verktøyet og trekk ut støpset.
- ◆ Eller la batteriet gå helt tomt hvis det er innebygd, og slå deretter av.
- ◆ Fjern laderen fra stikkkontakten før du rengjør den. Laderen krever ikke annet vedlikehold enn regelmessig rengjøring.
- ◆ Rengjør ventilasjonsåpningene i verktøy/apparat og lader jevnlig med en myk børste eller tørr klut.
- ◆ Rengjør motorhuset regelmessig med en fuktig klut. Ikke bruk slipende eller løsemiddelbaserte rengjøringsmidler.
- ◆ Bruk et butt skraperedskap regelmessig for å fjerne gress og jord fra undersiden av vernet.

Feilsøking

Hvis apparatet ikke fungerer som det skal, følger du instruksjonene nedenfor. Hvis problemet ikke løses, kontakter du ditt lokale BLACK+DECKER-serviceverksted.

Advarsel! Før du fortsetter, slipper du sikkerhetskåp for å slå gressklipperen av, og venter til bladet stopper.

Problem	Mulig årsak	Mulig løsning
Maskinen virker ikke.	Strømmen er slått av.	Slå strømmen på.
	Sikring har feil / er gått.	Bytt sikring.
	Gresset er for langt.	Øk skjærehøyden, og flytt maskinen til kortere gress for å starte.
	Varmesikring aktivert.	La motoren kjøle, og øk skjærehøyden.
Maskinen fungerer av og til.	Varmesikring aktivert.	La motoren kjøle, og øk skjærehøyden.
Maskinen kutter ujevnt, eller motoren arbeider tungt.	Skjærehøyden er for lav.	Øk skjærehøyden.
	Skjæreblandet er sløvt.	Sett på bladet igjen.
	Undersiden av maskinen er tettet til.	Kontroller undersiden av maskinen, og fjern gress etter behov (bruk alltid arbeidshansker)
	Bladet er montert opp-ned.	Monter bladet riktig.

Miljøvern

Separat avfallshåndtering. Produkter og batterier merket med dette symbolet skal ikke kastes i vanlig husholdningsavfall.

Produkter og batterier inneholder materialer som kan gjenbrukes eller gjenvinnes for å redusere behovet for nye råmaterialer. Vennligst lever elektrisk utstyr og batterier til gjenbruk i henhold til lokale regler. Mer informasjon finner du på www.2helpU.com

Tekniske data

		BEMW451
Spenning	V_{AC}	230
Inngangseffekt	W	1200
Hastighet ubelastet	min^{-1}	3500
Høydejustering	mm	23 - 63
Bladlengde	mm	320
Vekt	kg	8.33

Vektet vibrasjonsverdi for hånd/arm:
= $2,5\text{m/s}^2$, usikkerhet (K) = $1,5\text{m/s}^2$.

Lydtrykknivå ved brukerens øre:
 L_{PA} : 78,5 dB (A); K= 4,0 dB (A)

Lyd effekt L_{WA} : 93 dB(A); K= 3 dB(A)

EU-samsvarerklæring
MASKINDIREKTIVET
DIREKTIV FOR UTENDØRSSTØY



BEMW451 gressklipper

Black & Decker erklærer at disse produktene, som er beskrevet under "Tekniske data", er i samsvar med: 2006/42/EC, EN 60335-1:2012 + A11:2014, EN 60335-2-77:2010
2000/14/EF, gressklipper, L < 50 cm, vedlegg VI,

DEKRA Certification B.V. Meander 1051 / P.O. Box 5185
6825 MJ ARNHEM / 6802 ED ARNHEM Nederland.
Nivå for akustisk effekt i henhold til 2000/14/EU (artikkel 12, vedlegg III, L < 50 cm):

Målt lydeffektnivå L_{WA} : 93 dB(A); K= 3 dB(A).
Garantert lydeffektnivå L_{WA} : 96 dB (A).

Disse produktene er også i samsvar med direktiv 2014/30/EU og 2011/65/EU. Hvis du ønsker mer informasjon, kan du kontakte Black & Decker på adressen under eller se baksiden av bruksanvisningen.

Undertegnede er ansvarlig for utarbeidelsen av den tekniske dokumentasjonen og gir denne erklæringen på vegne av Black & Decker.

R. Laverick
Director of Engineering
Black & Decker Europe, 210 Bath Road, Slough,
Berkshire, SL1 3YD
Storbritannia
27.10.2017

Garanti

Black & Decker er trygg på kvaliteten av produktene sine og tilbyr en 24 måneders garanti fra kjøpsdato. Denne garantierklæringen kommer i tillegg til dine lovbestemte rettigheter og er ikke i konflikt med disse. Garantien er gyldig innen områdene tilhørende medlemslandene i den Europeiske Union (EU) og det Europeiske Frihandelsrådet (EFTA).

For å ta garantien i bruk må kravet være i samsvar med kjøpsbetingelsene fra Black&Decker og du må vise kjøpskvittering til forhandleren eller til et autorisert serviceverksted. Betingelsene for Black & Deckers 2 års garanti og adressen til din nærmeste autoriserte serviceverksted kan du finne på internett under www.2helpU.com, eller ved å kontakte ditt lokale Black & Decker kontor, adressen er angitt i denne bruksanvisningen.

Besøk våre nettsider på www.blackanddecker.no for å registrere ditt nye Black & Decker-produkt og for å få informasjon om nye produkter og spesialtilbud.

Tilsigtet brug

Din BLACK+DECKER BEMW451-plæneklipper er designet til græsslåning. Dette apparat er kun beregnet til privat brug.

Sikkerhedsinstruktioner

Advarsel! Ved anvendelse af apparater, der får strøm fra forsyningsnettet, skal grundlæggende sikkerhedsforholdsregler inkl. nedenstående altid følges, så risikoen for brand, elektrisk stød og personskade undgås.

- ◆ Læs hele vejledningen omhyggeligt, før du bruger apparatet.
- ◆ Den tilsigtede brug er beskrevet i denne vejledning. Brugen af ekstraudstyr eller tilbehør eller udførelse af andet arbejde med dette apparat end det, der anbefales i denne vejledning, kan udgøre en fare for kvæstelser.
- ◆ Opbevar denne vejledning til senere brug.

Oplæring

- ◆ Læs vejledningen omhyggeligt. Sæt dig ind i betjeningsknapperne og korrekt brug af apparatet.
- ◆ Lad ikke børn eller personer, der ikke har læst denne vejledning, benytte maskinen. Lokale regler kan begrænse brugerens alder.
- ◆ Brug aldrig maskinen, mens der er andre i nærheden, især børn eller kæledyr.
- ◆ Vær opmærksom på, at brugeren er ansvarlig for ulykker eller risici, som andre eller andres ejendom udsættes for.

Klargøring

- ◆ Brug altid kraftigt fodtøj og lange bukser under anvendelse af maskinen. Betjen ikke maskinen uden sko eller iført sandaler. Undgå at bære løstsiddende tøj eller tøj med hængende snore eller bånd.
- ◆ Inspicer grundigt det område, hvor maskinen skal bruges, og fjern alle objekter, som maskinen kan kaste ud.
- ◆ Inspicer altid visuelt, at kniven, knivbolten og knivsamlingen ikke er slidt eller beskadiget, før du bruger maskinen. Udskift slidte eller beskadigede komponenter i sæt for at bevare balancen. Udskift beskadigede eller ulæsbare etiketter.
- ◆ Kontroller før brug strømforsyningsledningen og forlængerledningen for tegn på beskadigelse eller ælde. Hvis ledningen bliver beskadiget under brug, skal du omgående tage den ud af stikkontakten. **RØR IKKE VED LEDNINGEN, FØR DU HAR TAGET DEN UD AF STIKKONTAKTEN.** Brug ikke maskinen, hvis ledningen er beskadiget eller slidt.
- ◆ Bær beskyttelses- eller sikkerhedsbriller, når du bruger dette værktøj. Brug en ansigts- eller støvmaske ved arbejde i støvede omgivelser. Brug altid høreværn, når støjniveauet er ubehageligt.
- ◆ Beskyttelse mod elektrisk stød.

Undgå kropskontakt med jordede overflader (f.eks. metalgelændere, lygtepæle etc.).

Funktion

- ◆ Brug aldrig apparatet med defekte beskyttelsesanordninger eller afskærmninger, eller uden at sikkerhedsanordninger som f.eks. deflektor og/eller græsofanger er monteret.
- ◆ Brug kun apparatet i dagslys eller ved god kunstig belysning.
- ◆ Udsæt ikke apparatet for regn. Brug ikke apparatet under fugtige eller våde forhold. Brug ikke apparatet i vådt græs.
- ◆ Sørg for godt fodfæste, især på skråninger. Husk at nyslået græs er fugtigt og glat. Undgå at arbejde på stejle skråninger.
- ◆ Arbejd på tværs af skråninger, aldrig op og ned. Vær især forsigtig, når du ændrer retning på skråninger.
- ◆ Slå ikke græs på meget stejle skråninger.
- ◆ Gå, løb aldrig, når du bruger apparatet. Træk ikke apparatet mod dig selv, og gå ikke baglæns, når du bruger apparatet.
- ◆ Start apparatet som beskrevet i vejledningen, og hold god afstand mellem dine fødder og kniven.
- ◆ Start ikke maskinen, mens du står foran tømmeåbningen.
- ◆ Vip ikke apparatet, når du starter det, medmindre apparatet skal vippes for at kunne starte.

I så fald må apparatet ikke vippes mere end absolut højst nødvendigt, og hæv kun den del, der vender væk fra brugeren. Hold begge hænder i betjeningspositionen, før apparatet sættes ned på jorden.

- ◆ Stop apparatet, og vent, til kniven holder op med at køre, hvis apparatet skal vippes med henblik på transport hen over andre overflader end græs og ved transport af apparatet til og fra det område, der skal slås.
- ◆ Løft eller bær ikke apparatet, før kniven står helt stille.
- ◆ Hold hænder og fødder væk fra kniven.
- ◆ Sæt ikke hænder eller fødder i nærheden af eller under roterende dele.
- ◆ Hold altid afstand til udkaståbningen.
- ◆ Stop apparatet, tag stikket ud af stikkontakten, og kontroller, at alle bevægelige dele er holdt op med at rotere, inden apparatet efterlades uden opsyn, og før du udskifter, rengør eller kontrollerer apparatets dele eller fjerner en eventuel blokering. Når du har ramt et fremmedlegeme. Inspicer maskinen for beskadigelse, og foretag reparationer, før maskinen startes og betjenes igen;
- ◆ Stop apparatet, og tag stikket ud af stikkontakten, hvis apparatet begynder at vibrere unormalt, eller hvis du rammer en genstand.

Kontroller for beskadigelse af apparatet, udskift eller reparer eventuelle beskadigede dele, kontroller for og tilspænd eventuelle løse dele.

- ◆ Pas på, at ledningen ikke kommer i nærheden af kniven. Vær altid opmærksom på ledningens position.
- ◆ Motoren kører videre et par sekunder, efter at apparatet stoppes. Forsøg aldrig at tvinge kniven til at stoppe.

Vedligeholdelse og rengøring

- ◆ Før brug skal apparatet kontrolleres for beskadigede eller defekte dele. Kontroller, at de bevægelige dele ikke har sat sig fast, kontroller for skævheder, brud, skader på beskyttelsesanordninger og kontakter samt andet, som kan påvirke apparatets funktion. Kontroller, at apparatet fungerer korrekt og udfører den tilsigtede funktion. Brug aldrig apparatet, hvis en beskyttelsesanordning eller afskærmning er beskadiget eller ikke er monteret. Brug ikke apparatet med beskadigede eller defekte dele. Brug ikke apparatet, hvis afbryderen er defekt. Få beskadigede eller defekte dele repareret eller udskiftet på et autoriseret værksted.
- ◆ Kontroller hyppigt netledningen for beskadigelse. Hvis netledningen er beskadiget, skal den udskiftes af et autoriseret reparationsværksted, så farlige situationer undgås.

Undersøg forlængerledninger regelmæssigt. Udskift straks en forlængerledning, hvis den er beskadiget.

- ◆ Sørg for, at alle apparatets møtrikker, bolte og skruer er spændt, så arbejdsforholdene er sikre.
- ◆ Kontroller græsopsamlere for slitage og beskadigelse, og udskift den om nødvendigt. Brug aldrig apparatet uden græsopsamlere.
- ◆ Vær forsigtig under justering af maskinen for at forhindre, at fingre fanges mellem knive i bevægelse og faste dele på maskinen.
- ◆ Vær under service opmærksom på, at selvom strømmen er afbrudt, kan knivene stadig bevæges.
- ◆ Opbevar apparatet på et tørt sted, når det ikke er i brug. Opbevar apparater utilgængeligt for børn.
- ◆ Lad altid maskinen køle ned, inden den sættes væk.
- ◆ Nye knive til udskiftning skal være af den rigtige type.
- ◆ Brug kun reservedele og tilbehør, der anbefales af BLACK+DECKER.

Yderligere sikkerhedsvejledning for græsslåmaskiner

- ◆ Brug altid en godkendt forlængerledning, der er egnet til dette værktøjs strømstik (se de tekniske data). Forlængerledningen skal være egnet til udendørs brug og mærket i overensstemmelse hermed.

Der kan bruges en HO5VV V-F-forlængerledning på op til 30 m med et tværsnit på 1.5 mm², uden at produktets ydeevne forringes. Før brug skal forlængerledningen inspiceres for tegn på beskadigelse, slid og ældning. Udskift forlængerledningen, hvis den er beskadiget eller defekt. Ved brug af en ledningstrømle skal ledningen altid rulles helt ud.

- ◆ Undlad at transportere maskinen, mens strømkilden kører
 - ◆ Hold godt fast i håndtaget med begge hænder, når du bruger plæneklipperen.
 - ◆ Hvis det bliver nødvendigt at vippe plæneklipperen, skal du have begge hænder i arbejdsstilling, mens den vippes. Hold begge hænder i arbejdsstilling, til apparatet står sikkert på jorden igen.
 - ◆ Lyt aldrig til radio eller musik i hovedtelefoner, mens du bruger plæneklipperen.
 - ◆ Juster aldrig hjulenes højde, mens motoren kører, eller mens sikkerhedsnøglen sidder i.
 - ◆ Sluk for plæneklipperen, hvis den står stille, vent indtil kniven er stoppet, før blokeringer i udkastet eller under skjoldet fjernes.
 - ◆ Hold hænder og fødder væk fra skæreområdet.
 - ◆ Hold knivene skarpe.
- Brug altid beskyttelseshandsker ved håndtering af plæneklipperkniven.
- ◆ Kontroller jævnligt græsopsamleren for slid og ødelæggelse.

Udskift den af hensyn til din egen sikkerhed, hvis den er meget slidt.

- ◆ Vær yderst forsigtigt, når du bakker eller trækker plæneklipperen imod dig selv.
 - ◆ Sæt ikke hænder eller fødder ind under plæneklipperen.
- Hold altid afstand til udkaståbningen.
- ◆ Ryd det område, hvor plæneklipperen skal bruges, for genstande såsom sten, pinde, ståltråd, legetøj, ben etc., som kniven kan kaste rundt med.
- Genstande, der rammes af kniven, kan forårsage alvorlig personskade. Bliv bag håndtaget, når motoren kører.
- ◆ Kør ikke med plæneklipperen med bare fødder eller iført sandaler. Bær altid solidt fodtøj.
 - ◆ Træk ikke plæneklipperen baglæns, medmindre det er strengt nødvendigt. Se altid ned og bag dig, når du trækker plæneklipperen baglæns.
 - ◆ Ret aldrig det udkastede materiale mod andre. Undgå af kaste materiale ud mod en mur eller en forhindring. Materialet kan springe tilbage mod brugeren. Slip starthåndtaget for at slukke plæneklipperen og stoppe kniven, når grusbelagte flader passerer.
 - ◆ Brug ikke plæneklipperen, før græsopsamleren, udkastskærmen, den bageste skærm eller andre sikkerheds- og beskyttelsesanordninger er monteret og fungerer.

Kontroller jævnligt, at alle skærme og sikkerheds- og beskyttelsesanordninger er i god stand og fungerer korrekt, så de opfylder deres formål. Udskift beskadigede skærme og andre sikkerhedsanordninger, før maskinen tages i brug igen.

- ◆ Efterlad aldrig plæneklipperen uden opsyn, mens motoren kører.
- ◆ Slip altid aktiveringsbøjlen for at stoppe motoren, vent til kniven står helt stille, før du rengør plæneklipperen, afmonterer græsposen, fjerner blokeringer under udkastskærmen, forlader plæneklipperen eller foretager justeringer, reparationer eller inspektioner.
- ◆ Brug kun plæneklipperen i dagslys eller ved godt kunstigt lys, hvor genstande i knivens bane er tydeligt synlige fra plæneklipperens betjeningsområde.
- ◆ Kør ikke med plæneklipperen under indflydelse af alkohol eller narkotika, eller hvis du er træt eller syg. Vær altid opmærksom, hold øje med, hvad du laver og brug din sunde fornuft.
- ◆ Undgå farlige omgivelser. Brug aldrig plæneklipperen i fugtigt eller vådt græs, eller når det regner. Sørg altid for godt fodfæste; gå, løb ikke.
- ◆ Slip tænd/sluk-kontakten, vent til kniven stopper, hvis plæneklipperen begynder at vibrere unormalt. Kontroller derefter omgående årsagen.

Vibration er generelt en advarsel om et problem; se fejlsøgningsvejledningen for at få hjælp ved unormal vibration.

- ◆ Bær altid korrekt øjen- og åndedrætsbeskyttelse, når du bruger plæneklipperen.
- ◆ Brugen af ekstraudstyr eller tilbehør, som ikke anbefales til brug sammen med denne plæneklipper, kan være farligt. Brug kun ekstraudstyr, der er godkendt af BLACK+DECKER.
- ◆ Stræk dig ikke for langt, mens du bruger plæneklipperen. Sørg altid for at have sikkert fodfæste og balance, når du bruger plæneklipperen.
- ◆ Arbejd på tværs af skråninger, aldrig op og ned. Vær især forsigtig, når du ændrer retning på skråninger.
- ◆ Hold øje med huller, hjulspor, sten og andre skjulte genstande. Du kan skride eller falde i ujævnt terræn og komme til skade. Højt græs kan dække over forhindringer.
- ◆ Slå ikke vådt græs eller græs på meget stejle skråninger. Et dårligt fodfæste kan få dig til at skride eller falde, så du kommer til skade.
- ◆ Slå ikke græs i nærheden af skrænter, grøfter eller volde. Du kan miste fodfæstet eller balancen.
- ◆ Lad altid plæneklipperen køle ned, inden den sættes væk. Træk stikket ud af kontakten, og træk batteripakken ud af maskinen. Sørg for, at alle dele i bevægelse er helt stoppet:
- ◆ Hver gang du forlader maskinen;
- ◆ Før du rengør en blokering;

- ◆ Før du kontrollerer, rengør, justerer eller arbejder på apparatet.

Vibration

De angivne værdier for udsendelse af vibration anført under de tekniske data og overensstemmelseserklæringen er målt i henhold til standardtestmetoden i EN50636 og kan bruges til at sammenligne ét værktøj med et andet. Den angivne vibrationsemissionsværdi kan også bruges som en foreløbig vurdering af eksponeringen.

Advarsel! Værdien for vibrationsemission ved faktisk brug af elværktøjet kan afvige fra den angivne værdi afhængig af måden, værktøjet anvendes på. Vibrationsniveauet kan overstige det angivne niveau. I vurderingen af eksponeringen for vibration med henblik på fastsættelse af sikkerhedsforanstaltninger som krævet i 2002/44/EF til beskyttelse af personer, der jævnligt anvender elværktøj i deres arbejde, skal der tages hensyn til de faktiske betingelser under brugen, og måden værktøjet bruges på, herunder alle arbejds cyklussens afsnit, f.eks. perioder, hvor værktøjet er slukket, og hvor det kører i tomgang, tillige med startperioderne. Betjen ikke værktøjet, hvis vibrationen registreres som unormal.

Andres sikkerhed

- ◆ Dette værktøj er ikke beregnet til anvendelse af personer (inklusive børn) med nedsatte fysiske,

sensoriske eller mentale handicaps eller med mangel på erfaringer eller viden, medmindre de er under overvågning eller har fået instruktioner i brugen af værktøjet af en person, der er ansvarlig for deres sikkerhed.

- ◆ Børn skal holdes under opsyn, så det sikres, at de ikke leger med apparatet.
- ◆ Når du har ramt et fremmedlegeme. Se apparatet efter for skader, og foretag evt. nødvendige reparationer.

Tilbageværende risici

Der kan opstå yderligere, tilbageværende risici under brugen af apparatet, som muligvis ikke behandles i de vedlagte sikkerhedsadvarsler. Disse risici kan opstå pga. forkert anvendelse, langvarig brug osv. Selv ved overholdelse af relevante sikkerhedsbestemmelser og anvendelse af sikkerhedsanordninger medfører brugen af save en række restrisici, som ikke kan undgås. Disse omfatter:

- ◆ Tilskadekomst forårsaget af berøring af bevægelige dele.
- ◆ Tilskadekomst forårsaget af berøring af varme dele.
- ◆ Tilskadekomst forårsaget af udskiftning af dele eller tilbehør.
- ◆ Tilskadekomst forårsaget af langvarig brug af apparatet.
Husk at holde pause jævnligt ved brug af et apparat i længere tid.
- ◆ Hørenedsættelse.

- ◆ Sundhedsrisici forårsaget af indånding af støv, der genereres ved brug af dit apparat (eksempel: arbejde med træ, især eg, bøg og MDF.)
- ◆ Hvis de er uundgåeligt at betjene plæneklipperen på et fugtigt sted, skal der bruges en fejlstrømsafbryder (RCD) med en aktiveringsstrøm på højst 30 mA. Ved at benytte en fejlstrømsafbryder reduceres risikoen for elektrisk stød.
- ◆ Du må aldrig løfte eller bære et apparat, mens motoren kører.



Kniven fortsætter med at rotere, efter at maskinen er slukket.



Direktiv 2000/14/EF garanteret lyd effekt.

Advarselssymboler

Følgende advarselssymboler findes på apparatet sammen med datokoden:



Advarsel! Læs vejledningen inden brug.



Udsæt ikke apparatet for regn eller høj fugtighed.



Tag altid stikket ud af kontakten, før du undersøger et beskadiget kabel. Brug ikke apparatet, hvis kablet er beskadiget.



Pas på skarpe knive.



Pas på flyvende genstande. Hold omkringstående på afstand af klippeområdet.



Hold netledningen på afstand af kniven.

Elektricitet og sikkerhed



Advarsel! Denne maskine er dobbelt isoleret.

Derfor er jordledning ikke nødvendig. Kontrollér altid, at strømforsyningen svarer til spændingen på mærkepladen.

- ◆ Hvis netledningen beskadiges, skal den udskiftes af producenten eller et autoriseret BLACK+DECKER-værksted, så farlige situationer undgås.
- ◆ Den elektriske sikkerhed kan forbedres yderligere ved brug af en højfølsom 30 mA fejlstrømsafbryder (RCD).

Funktioner

Dette apparat leveres med nogle af eller alle de følgende komponenter.

1. Omskifterboks
2. Afbryderkontakt
3. Startudløser
4. Øverste håndtag
5. Nederste håndtag
6. Græsopsamlingsboks
7. Motordæksel
8. Bærehåndtag

Samling

Advarsel! Kontroller før samling, at apparatet er slukket og at stikket er taget ud af stikkontakten.

Samling af græsopsamlingsboksen (fig. A, B og C)

Græsboksen skal samles før brug og leveres i 3 dele.

- ◆ Sæt håndtaget (6a) på græsboksens (fig. B) låg (6b).

Håndtaget passer kun én vej rundt.

- ◆ Ret låget (6b) ind efter bunden af græsopsamlingsboksen (6c). Sørg for, at ledestyrene er rettet ind (fig. C)

Bemærk: Vær ekstra omhyggelig, når de 2 klips bag på græsopsamlingsboksen rettes ind.

- ◆ Tryk ned på låget for at sikre alle klips. Start længst tilbage, og sørg for, at alle klips sidder sikkert.

Montering af græsopsamlingsboksen (fig. D)

- ◆ Løft flappen (8), og anbring græsopsamlingsboksen (6) over monteringsstederne.

Montering af afbryderdåsen (fig. E)

- ◆ Ret plastikstifterne på afbryderdåsen (1) ind efter hullerne på håndtaget (1b), og sørg for, at afbryderdåsen sidder på den øverste kant af håndtaget.
- ◆ Lad plastikstifterne på afbryderdåsen (1) glide hele vejen gennem hullerne i håndtaget.
- ◆ Lad plastikhætten (1b) glide ind i den tynde skyder på afbryderdåsen (1).
- ◆ Fastgør plastikhætten (1b) med de 2 medfølgende skruer

Montering af nederste håndtag (fig. F)

- ◆ Sæt enderne af de nederste håndgreb (5) ind i de tilsvarende huller i græsslåmaskinen.
- ◆ Tryk håndtaget ned, så langt det kan komme.
- ◆ Fastgør håndtaget med skruerne (5a).

Montering af øverste håndtag (fig. G)

- ◆ Sæt det øverste håndtag (4) på det nederste håndtag (5) vha. grebene (4a), spændeskiverne (4c) og skruerne (4b) som vist.

Bemærk: Det øverste håndtag kan fastgøres i 2 forskellige højdepositioner.

Start og stop (fig. H)

Tænd

- ◆ Tryk på tænd/sluk-knappen (2).
- ◆ Træk startudløseren (3) mod håndtaget.

Sluk

- ◆ Slip startudløseren (3).

Advarsel! Forsøg aldrig at fastlåse en kontakt i tændt position.

Justering af klippehøjden (fig. I)

Advarsel! Sørg for, at kniven er fuldstændig stoppet, og tag apparatets ledning ud af stikkontakten.

Klippehøjden justeres ved at ændre højden af alle hjul, og der er tre positioner at vælge imellem.

- ◆ Afmonter græsopsamlingsboksen (7).
- ◆ Vend græsslåmaskinen på hovedet.

- ◆ Tag fat i et hjul (24), og tryk/træk akslen væk fra den aktuelle placering.
- ◆ Flyt hjulet (24) op/ned til den næste tilgængelige placering.

Bemærk: Juster ét hjul ad gangen. Juster én højdeposition ad gangen.

Op til kantklipping (fig. J og K)

Med Op til kantklipping kan du klippe græsset helt op til kanten af en mur eller et hegn (fig. J1).

Med op til kantklipping kan du klippe græsset præcist helt op til kanten af din plæne (fig. K).

- ◆ Mens plæneklipperen er parallel med din plænes kant, skal du skubbe plæneklipperen langs plænenes kant. Sørg for, at plæneklipperens kant er en smule over plænenes kant (fig.K).

Udskiftning af kniven (fig. L)

Advarsel! Sørg for, at kniven er fuldstændig stoppet, og tag apparatets ledning ud af stikkontakten.

Advarsel! Anvend kun den angivne kniv til udskiftning.

Advarsel! Brug kraftige handsker, når du tager om kniven. Sådan afmonteres kniven:

- ◆ Læg græsslåmaskinen på siden.
- ◆ Grib om kniven med de kraftige handsker på.
- ◆ Brug en 13 mm skruenøgle til at løsne og afmontere knivbolten (10) ved at dreje skruenøglen mod uret.
- ◆ Fjern kniven (9) og knivbolten (10).

Sådan udskiftes kniven:

- ◆ Før kniven op til boltskaftet, og placer knivbolten (10) i boltskaftet.

Bemærk: Teksten på kniven skal vende mod brugeren, når kniven monteres.

- ◆ Spænd knivbolten (10) så stramt som muligt med hånden.
- ◆ Grib om kniven med de kraftige handsker på.
- ◆ Brug en 13 mm skruenøgle til at fastspænde knivbolten (10) ved at dreje skruenøglen med uret.

Græsslåning (fig. M1 og M2)

Det anbefales, at plæneklipperen anvendes som beskrevet i dette afsnit, da der derved opnås optimale resultater, og risikoen for at skære netledningen reduceres.

- ◆ Anbring den oprullede netledning på plænen tæt ved startpunktet (position 1 i fig. M1).
- ◆ Tænd apparatet som beskrevet ovenfor.
- ◆ Fortsæt som vist i fig. M1
- ◆ Bevæg dig fra position 1 til position 2.
- ◆ Drej til højre, og fortsæt mod position 3.
- ◆ Drej til venstre, og fortsæt mod position 4.
- ◆ Fortsæt som beskrevet ovenfor.

Advarsel! Arbejd dig ikke mod ledningen som vist i fig. N2.

Slibning af kniven

Bemærk: BEMW451 bruger BLACK+DECKER-kniven (Kat # A6305). Hold kniven skarp, det giver det bedste resultat.

En sløv kniv klipper og snitter ikke græsset ordentligt. Bær ordentlig øjenbeskyttelse, når du afmonterer, sliber eller monterer en kniv. Det er normalt tilstrækkeligt at slibe kniven to gange i sæsonen under normale forhold.

Sand gør hurtigt kniven døv. Hvis der er sandjord i din plæne, kan det være nødvendigt at slibe kniven hyppigere.

Bemærk: Udskrift straks kniven, hvis den bliver bøjet eller beskadiget.

Ved slibning af kniven:

- ◆ Sørg for, at kniven er afbalanceret.
- ◆ Slib kniven i den oprindelige skærevinkel.
- ◆ Slib skærekanterne i begge ender af kniven, så der fjernes en lige stor mængde materiale fra begge ender.

Slibning af en kniv i en skruestik (fig. N)

- ◆ Vær sikker på, at kniven er stoppet og plæneklipperens stik er trukket ud, inden du fjerner kniven.
- ◆ Fjern kniven fra plæneklipperen. Se instruktioner for demontering og montering af kniven.
- ◆ Fastgør kniven (9) i en skruestik (11).
- ◆ Bær korrekt øjenbeskyttelse og handsker og pas på, at du ikke skærer dig selv. Fil forsigtigt knivens skæreflader med en fin tandfil (12) eller slibesten, så den oprindelige skærekant bevares. Kontroller knivens balance. Se instruktionerne for afbalancering af kniven.
- ◆ Udskift kniven på plæneklipperen og spænd den godt fast.

Afbalancering af kniv (fig. O)

Kontroller knivens balance (9) ved at sætte knivens midterhul over et søm eller en rund skruetrækker, der er opspændt vandret i en skruestik. Hvis en af knivens ender roterer nedad, skal der files langs den skarpe kant af den ende, der falder. Kniven er korrekt afbalanceret, hvis ingen af enderne falder.

Smøring

Smøring er ikke nødvendigt. Smør ikke hjulene med olie. De har plastiklejer, som ikke kræver smøring.

Rengøring

Sluk for plæneklipperen, og lad kniven stoppe. Brug kun en mild sæbe og en fugtig klud til rengøring af plæneklipperen. Fjern alt afklip der måtte have samlet sig under dækkets underside. Kontroller, at alle udsatte fastgørelsesdele sidder fast, når du har brugt plæneklipperen nogle gange.

Forebyggelse af korrosion

Gødning og andre havekemikalier indeholder stoffer, som øger rustdannelse på metal. Hvis du slår græs i områder, hvor der er anvendt gødning eller kemikalier, skal plæneklipperen rengøres umiddelbart efter brug som følger:

Sluk for plæneklipperen, og træk stikket ud. Tør alle udsatte dele af med en fugtig klud.

Vedligeholdelse

Dit BLACK+DECKER-apparat/værktøj med eller uden ledning er beregnet til brug gennem lang tid med et minimum af vedligeholdelse. Forsat tilfredsstillende drift afhænger af korrekt behandling af apparatet samt regelmæssig rengøring.

Advarsel! Før udførelse af nogen form for vedligeholdelse på elværktøj med/uden ledning:

- ◆ Sluk og tag apparatets/værktøjets stik ud af stikkontakten.
- ◆ Eller aflad batteriet helt, hvis det er indbygget, og sluk derefter.
- ◆ Træk opladeren ud af stikkontakten, før den rengøres. Opladeren kræver ingen vedligeholdelse, men skal rengøres jævnligt.
- ◆ Rengør jævnligt værktøjets/apparatets og laderens ventilationshuller med en blød børste eller en tør klud.
- ◆ Rengør med jævne mellemrum motorhuset med en fugtig klud. Der må ikke bruges skuremidler eller opløsningsmidler.
- ◆ Brug jævnligt en uskarp skraber til at fjerne græs og snavs fra undersiden af afskærmningen.

Problemløsning

Følg vejledningen nedenfor, hvis apparatet ikke synes at fungere korrekt. Hvis dette ikke løser problemet, bedes du kontakte det lokale BLACK+DECKER-værksted.

Advarsel! Udløs båndhåndtaget for at slukke for plæneklipperen, før du fortsætter, og vent til kniven stopper.

Problem	Mulig årsag	Mulig løsning
Maskinen starter ikke.	Strømmen er slået fra.	Tænd for strømmen.
	En sikring er gået.	Udskift sikringen.
	Græsset er for langt.	Øg klippehøjden, og flyt maskinen til kortere græs for at starte.
	Termosikringen er aktiveret.	Lad motoren køle ned, og øg klippehøjden.
Maskinen fungerer periodevis.	Termosikringen er aktiveret.	Lad motoren køle ned, og øg klippehøjden.
Maskinen giver en ujævn finish, eller motoren hakker.	Klippehøjden er for lav.	Øg klippehøjden.
	Kniven er sløv.	Sæt kniven på igen.
	Maskinens underside er blokeret.	Se under maskinen, og fjern hindringer efter behov (bær altid kraftige handsker).
	Kniven er monteret på hovedet.	Monter kniven korrekt.

Miljøbeskyttelse

Særskilt bortscaffelse. Produkter og batterier mærket med dette symbol må ikke bortskaffes sammen med normalt husholdningsaffald.

Produkter og batterier indeholder materialer, der kan genindvindes eller genanvendes, hvilket reducerer efterspørgslen efter råvarer. Genbrug venligst elektriske produkter og batterier i henhold til lokale bestemmelser. Yderligere informationer findes på www.2helpU.com

målt lydtrykniveau L_{WA} : 93dB(A); K=3dB(A).
garanteret lydtrykniveau L_{WA} : 96dB(A).

Disse produkter er endvidere i overensstemmelse med direktiv 2014/30/EU, 2011/65/EU. Kontakt Black & Decker på nedenstående adresse eller se vejledningens bagside for at få yderligere oplysninger.

Undertegnede er ansvarlig for udarbejdelsen af de tekniske data og fremsætter denne erklæring på vegne af Black & Decker.

Tekniske data

		BEMW451
Spænding	V_{AC}	230
Effektindgang	W	1200
Ubelastet hastighed	min^{-1}	3500
Højdejustering	mm	23 - 63
Knivlængde	mm	320
Vægt	kg	8.33

R. Laverick
Direktør for konstruktioner
Black & Decker Europe, 210 Bath Road, Slough,
Berkshire, SL1 3YD
Storbritannien
27/10/2017

Værdi for hånd/arm-vægtet vibration:
= $2,5\text{m/s}^2$, usikkerhed (K) = $1,5\text{m/s}^2$.

Lydtrykniveau ved operatørens øre:
 L_{PA} : 78.5dB(A); K= 4.0dB(A)

Lydtrykniveau L_{WA} : 93dB(A); K= 3dB(A)

Garanti

Black & Decker er overbevist om den gode kvalitet af sine produkter og giver forbrugerne en garanti på 24 måneder fra købsdatoen. Garantien er et tillæg til forbrugers lovæssige rettigheder og påvirker ikke disse. Garantien er gyldig inden for medlemsstaterne af Den Europæiske Union og Det Europæiske Frihandelsområde.

Når du gør krav på garantien, skal kravet være i overensstemmelse med Black & Decker vilkår og betingelser, og du skal indsende dokumentation for købet til sælgeren eller til en autoriseret reparatør. Vilkår og betingelser for Black & Decker 2 års garanti og placeringen af dit nærmeste autoriserede serviceværksted kan fås på internettet på www.2helpU.com, eller ved at kontakte dit lokale Black & Decker kontor på den adresse, der er angivet i denne vejledning.

Besøg venligst vores websted www.blackanddecker.co.uk for at registrere dit nye Black & Decker produkt og modtage opdateringer om nye produkter og specielle tilbud.

EU-overensstemmelseserklæring**MASKINDIREKTIV****DIREKTIV OM STØJEMISSION FRA MASKINER TIL UDENDØRS BRUG**

BEMW451 plæneklipper

Black & Decker erklærer, at produkterne beskrevet under "Tekniske data" er i overensstemmelse med: 2006/42/EC, EN 60335-1:2012 + A11:2014, EN 60335-2-77:2010

2000/14/EF, Plæneklipper, L < 50 cm, bilag VI,

DEKRA Certification B.V. Meander 1051 / P.O. Box 5185
6825 MJ ARNHEM / 6802 ED ARNHEM, Nederlandene.
Lydintensitetsniveau i henhold til 2000/14/EF (artikel 12, Annex III, L < 50cm):

Käyttötarkoitus

BLACK+DECKER BEMW451 -ruohonleikkuri on suunniteltu ruohon leikkaamiseen. Laite on tarkoitettu vain yksityiskäyttöön.

Turvallisuusohjeet

Varoitus! Sähkölaitteita käytettäessä on aina noudatettava asianmukaisia turvaohjeita, jotta tulipalojen, sähköiskujen ja henkilövahinkojen riski olisi mahdollisimman pieni.

- ◆ Lue tämä käyttöopas huolellisesti ennen laitteen käyttöä.
- ◆ Käyttötarkoitus kuvataan ohjeissa. Muiden kuin ohjeissa suositeltujen lisävarusteiden tai -osien käyttö sekä laitteen käyttö muuhun kuin oppaassa suositeltuun tarkoitukseen voi aiheuttaa henkilövahingon vaaran.
- ◆ Säilytä tämä käyttöohje tulevaa tarvetta varten.

Harjoittelu

- ◆ Lue ohjeet huolellisesti. Tutustu hallintalaitteisiin ja opettele laitteen oikea käyttö.
- ◆ Älä koskaan anna lasten tai kenenkään, joka ei ole lukenut näitä ohjeita, käyttää laitetta. Paikalliset säädökset voivat määrittää käyttäjiä koskevia ikärajoituksia.
- ◆ Älä koskaan käytä laitetta muiden henkilöiden (erityisesti lapsien) tai eläinten läheisyydessä.
- ◆ Muista, että laitteen käyttäjä on vastuussa muille henkilöille tai omaisuudelle aiheutuneista onnettomuuksista tai vaaratilanteista.

Valmistelu

- ◆ Käytä laitteen käytön aikana aina tukevia jalkineita ja pitkiä housuja. Älä käytä laitetta avojaloin tai avonaisien sandaalien kanssa. Vältä väljien tai nauhallisten vaatteiden käyttöä.
- ◆ Tarkasta laitteen aiottu käyttöalue perusteellisesti ja poista kaikki esineet, joita laite voi heittää.
- ◆ Tarkista aina katsomalla ennen käyttöä, että terä, terän pultti ja teräyksikkö eivät ole kuluneet tai vahingoittuneet. Vaihda kuluneet tai vahingoittuneet osat aina sarjoina, jotta tasapaino säilyy. Vaihda vahingoittuneet tai lukukelvottomat tarrat.
- ◆ Tarkista ennen käyttöä, että sähkö- ja jatkojohdot eivät ole vaurioituneet tai vanhentuneet. Jos johto vahingoittuu käytön aikana, irrota johto heti virtalähteestä. **ÄLÄ KOSKETA JOHTOA, ENNEN KUIN OLET IRROTTANUT SEN VIRTALÄHTEESTÄ.** Älä käytä laitetta, jos sen johto on vahingoittunut tai kulunut.
- ◆ Käytä suojalaseja, kun käytät laitetta. Käytä hengityssuojainta, mikäli laitetta käytetään pölyisissä olosuhteissa. Suojaa kuulosi, mikäli laitteen ääni on epämiellyttävän kova.
- ◆ Suojaudu sähköiskuilta. Vältä itse koskettamasta maadoitettuihin pintoihin (kuten metallikaiteisiin tai lyhtypylväisiin).

Käyttö

- ◆ Älä koskaan käytä laitetta ilman asianmukaisia suoja- tai turvalaitteita.
- ◆ Käytä laitetta vain päivänvalossa tai hyvin valaistulla alueella.
- ◆ Älä jätä laitetta sateeseen. Älä käytä laitetta sateessa tai kosteissa tai märissä olosuhteissa. Laitteen käyttämistä märällä nurmikolla ei suositella.
- ◆ Varmista tukeva jalansija etenkin rinteissä. Muista, että juuri leikattu ruoho on kosteaa ja liukasta. Älä työskentele jyrkissä rinteissä.
- ◆ Työskentele rinteen korkeussuuntaan nähden poikittain, älä koskaan ylhäältä alas tai päinvastoin. Toimi erityisen huolellisesti, kun laitteen suuntaa muutetaan rinteessä.
- ◆ Älä työskentele liian jyrkissä rinteissä.
- ◆ Käytä laitetta aina kävellen. Älä juokse. Älä vedä laitetta itseäsi kohti tai kävele takaperin laitetta käyttäessäsi.
- ◆ Käynnistä laite ohjeiden mukaan. Varmista, että jalkasi ovat riittävän kaukana terästä.
- ◆ Älä käynnistä laitetta, kun seisot poistoaukon edessä.
- ◆ Älä kallista laitetta käynnistyksen yhteydessä, mikäli se ei ole tarpeen. Jos laitetta on kallistettava käynnistettäessä, kallista sitä mahdollisimman vähän. Nosta vain laitteen kauimpana käyttäjästä olevaa puolta. Varmista, että molemmat kätesi ovat käyttöasennossa ennen laitteen laskemista alas.
- ◆ Sammuta laite ja odota, kunnes teräosan pyöriminen lakkaa, mikäli laitetta on kallistettava, kun sitä siirretään muilla alustoilla kuin ajettavalla nurmikolla.
- ◆ Älä nosta tai kannaa laitetta, ennen kuin terä on pysähtynyt kokonaan.
- ◆ Pidä kädet ja jalat loitolla terästä.
- ◆ Älä aseta käsiä tai jalkoja lähelle pyöriä osia tai niiden alle.
- ◆ Pysy loitolla laitteen poistoaukoista.
- ◆ Sammuta laite, vedä pistoke irti pistorasiasta ja varmista, että laitteen liikkuvat osat ovat pysähtyneet, ennen kuin jätät laitteen ilman valvontaa, ja ennen sen osien vaihtamista, puhdistamista tai tarkistamista tai tukoksen poistamista. Kun ruohonleikkuri on osunut johonkin, tarkista laite vahinkojen varalta ja korjaa se, ennen kuin käynnistät sen ja käytät sitä uudelleen.
- ◆ Jos laite tärisee epätavallisen voimakkaasti tai jos osut sillä esteeseen, sammuta laite ja vedä pistoke irti pistorasiasta. Tarkista laite vahinkojen varalta, vaihda tai korjaa vahingoittuneet osat ja kiristä mahdollisesti löystyneet osat.
- ◆ Pidä verkkovirtajohto aina mahdollisimman kaukana terästä. Ota huomioon virtajohdon asento aina laitetta käytettäessä.
- ◆ Moottori pyörii vielä muutaman sekunnin virran katkaisemisen jälkeen. Älä jarruta terän pysähtymisliikettä.

Huolto ja varastointi

- ◆ Tarkista ennen laitteen käyttöä, ettei laitteessa ole vahingoittuneita tai viallisia osia. Tarkista, että liikkuvat osat toimivat moitteettomasti eivätkä ole väärässä asennossa ja että työkalussa ei ole murtuneita tai vahingoittuneita suoja- tai kytkimiä tai muita osia, jotka saattaisivat vaikuttaa haitallisesti laitteen toimintaan. Varmista, että laite toimii oikein. Laitetta ei tule käyttää, jos sen suoja tai kotelo on vaurioitunut tai poistettu. Älä käytä laitetta, jos jokin sen osa on vahingoittunut tai viallinen. Älä käytä laitetta, jota ei voida käynnistää ja pysäyttää virtakytkimestä. Korjauta tai vaihdata vaurioituneet tai vialliset osat valtuutetussa huoltoliikkeessä.
- ◆ Tarkista virtajohtojen kunto säännöllisesti. Jos virtajohto vahingoittuu, sen vaihtaminen tulee turvallisuussyistä jättää valtuutetun huoltoliikkeen tehtäväksi. Tarkista jatkojohtojen kunto säännöllisesti. Vaihda vaurioitunut sähköjohto heti.
- ◆ Turvallisuussyistä tulee varmistaa, että kaikki laitteen mutterit, pultit ja ruuvit on kiristetty.
- ◆ Tarkista keräyssäiliön kulumisen tai mahdollisten vaurioiden varalta ja vaihda se tarvittaessa. Älä koskaan käytä laitetta ilman keräyssäiliötä.
- ◆ Varo laitetta säädettäessä, että sormesi eivät jää liikkuvien terien ja kiinteästi asennettujen osien väliin.

- ◆ Muista teriä huollettaessa, että vaikka virtalähde on sammutettu, terät liikkuvat edelleen.
- ◆ Kun laitetta ei käytetä, se on säilytettävä kuivassa paikassa. Pidä laite lasten ulottumattomissa.
- ◆ Anna laitteen aina jäähtyä ennen varastointia.
- ◆ Varmista, että laitteessa käytetään vain oikeanlaisia teriä.
- ◆ Käytä ainoastaan BLACK+DECKERin suosittelemia varaosia ja lisävarusteita.

Ruohonleikkurien lisäturvaohjeet

- ◆ Käytä aina oikeanlaista jatkojohtoa, joka sopii tämän laitteen virransyöttöliitintään (katso kohta Tekniset tiedot). Jatkojohdon on oltava ulkokäyttöön soveltuva ja siinä on oltava soveltuvuudesta ilmoittava merkintä. Laitteen kanssa voidaan käyttää enintään 30 m pitkää 1,5 mm²:n HO5VV-F-jatkojohtoa ilman tehon heikkenemistä. Tarkista jatkojohdon kunto ennen sen käyttämistä. Vahingoittunut tai viallinen kaapeli on vaihdettava. Jos käytät johtokelaa, kelaa johto aina kokonaan auki.
- ◆ Konetta ei saa kuljettaa virran ollessa päällä.
- ◆ Pidä ruohonleikkuria työntöaisasta tukevasti molemmin käsin käytön aikana.
- ◆ Jos joudut käytön aikana kallistamaan ruohonleikkuria, pidä molemmat kädet koko ajan ajoasennossa.

Pidä molemmat kädet ajoasennossa niin kauan, kunnes ruohonleikkuri on jälleen normaaliasennossa.

- ◆ Älä käytä radiota tai kuulokkeita ruohonleikkurin käytön aikana.
- ◆ Älä koskaan säädä pyörien korkeutta moottorin käydessä tai turva-avaimen ollessa paikallaan kytkentäkotelossa.
- ◆ Jos ruohonleikkuri pysähtyy, sammuta leikkuri, odota terän pysähtymistä ennen kuin yrität avata tukoksen tai poistaa mitään kannen alta.
- ◆ Pidä kädet ja jalat poissa leikkausalueelta.
- ◆ Pidä terät terävinä. Käytä aina suojakäsineitä käsitellessäsi ruohonleikkurin terää.
- ◆ Jos käytät keräyssäiliötä, tarkista säännöllisesti, ettei se ole kulunut tai rikkoutunut. Jos keräyssäiliö on hyvin kulunut, vaihda se uuteen turvallisuuden vuoksi.
- ◆ Ole erittäin varovainen vetäessäsi ruohonleikkuria taaksepäin itseäsi kohti.
- ◆ Älä aseta käsiä tai jalkoja ruohonleikkurin lähelle tai sen alle. Pysy loitolla laitteen poistoaukosta.
- ◆ Poista ruohonleikkurin aiotulta käyttöalueelta kivet, puunpalaset, johdot, lelut, luut ja muut esineet, jotka terä voisi heittää suurella nopeudella. Terän heittämät esineet voivat aiheuttaa vakavia henkilövahinkoja. Pysy kahvan takana moottorin käydessä.
- ◆ Älä käytä ruohonleikkuria avoaloin tai avonaisten sandaalien kanssa.

Käytä aina riittäviä turvajalkineita.

- ◆ Älä vedä ruohonleikkuria taaksepäin, ellei se ole täysin välttämätöntä. Katso aina alas ja taaksesi ennen siirtymistä taaksepäin ja sen aikana.
- ◆ Älä koskaan suuntaa laitteen poistoaukkoa ketään kohti. Vältä poistoaukon suuntaamista seinää tai muuta estettä kohti. Materiaalia voi kimmota takaisin käyttäjää kohti. Sammuta ruohonleikkuri vapauttamalla käynnistyskahva ja pysäytä terä ennen kuin ylität sorapintaisen alueen.
- ◆ Älä käytä ruohonleikkuria, elleivät keräyssäiliö, poistoaukon suojus, takasuojus ja muut turvalaitteet ole paikoillaan ja kunnossa. Tarkista aika ajoin kaikki suojuukset ja turvalaitteet ja varmista, että ne ovat hyvässä käyttökunnossa ja toimivat oikein. Vaihda vahingoittunut suojus tai muu turvalaite ennen laitteen käytön jatkamista.
- ◆ Älä koskaan jätä käynnissä olevaa ruohonleikkuria ilman valvontaa.
- ◆ Pysäytä moottori vapauttamalla kahva, odota, että terä pysähtyy kokonaan, ennen kuin puhdistat ruohonleikkurin tai poistoaukon suojuksen, irrotat ruohonkeräysspussin tai kun poistut ruohonleikkurin luota tai teet säätöjä, korjauksia tai tarkastuksia.
- ◆ Käytä ruohonleikkuria vain päivänvalossa tai hyvässä keinovalossa niin, että terän tiellä olevat esineet näkyvät selvästi ruohonleikkurin käyttöalueelle.

- ◆ Ruohonleikkuria ei saa käyttää alkoholin tai huumeiden vaikutuksen alaisena tai väsyneenä tai sairaana. Pysy aina valppaana, tarkkaile toimenpiteitäsi ja käytä tervettä järkeä.
- ◆ Vältä vaarallisia ympäristöjä. Älä käytä ruohonleikkuria kostealla tai märällä nurmikolla tai sateessa. Varmista aina tukeva jalansija. Kävele, älä juokse.
- ◆ Jos ruohonleikkuri alkaa täristä normaalista poikkeavalla tavalla, vapauta virtakytkin, odota terän pysähtymistä ja tarkista heti tärinän syy. Tärinä on yleensä merkki ongelmista. Tutustu vianmääritysohjeisiin saadaksesi selville syyn epätavalliseen tärinään.
- ◆ Käytä aina asianmukaisia suojalaseja ja hengityssuojainta ruohonleikkuria käyttäessäsi.
- ◆ Sellaisten lisävarusteiden tai -laitteiden käyttö, joita ei ole suositeltu käytettäväksi ruohonleikkurin kanssa, saattaa johtaa vaaratilanteeseen. Käytä vain BLACK+DECKERin hyväksymiä lisävarusteita.
- ◆ Älä kurkota ruohonleikkurin käytön aikana. Seiso aina tukevasti ja tasapainossa ruohonleikkurin käytön aikana.
- ◆ Leikkaa ruoho rinteiden korkeussuuntaan nähden poikittain, älä koskaan ylhäältä alas tai päinvastoin. Ole erityisen varovainen vaihtaessasi suuntaa rinteessä.
- ◆ Varo koloja, kumpuja, kiviä tai muita näkymättömiä esineitä.

Epätasainen maasto voi aiheuttaa liukastumisen tai kaatumisen. Pitkä ruoho voi peittää esteitä.

- ◆ Älä leikkaa märkää ruohoa tai leikkaa hyvin jyrkissä rinteissä. Epävakaa asento voi aiheuttaa liukastumisen tai kaatumisen.
- ◆ Älä leikkaa nurmikkoa aivan kuopan, ojan tai pengerryksen lähellä. Voit menettää tasapainon tai jalka voi luistaa.
- ◆ Anna leikkurin aina jäähtyä ennen varastointia. Vedä pistoke irti pistorasiasta ja akku koneesta. Varmista, että kaikki liikkuvat osat ovat pysähtyneet kokonaan:
- ◆ Kun jätät koneen ilman valvontaa.
- ◆ Ennen kuin aloitat tukosten puhdistamisen.
- ◆ Ennen leikkurin tarkastusta, puhdistusta, huoltoa tai säätöä.

Tärinä

Teknisissä tiedoissa ja vaatimustenmukaisuusvakuutuksessa ilmoitettu tärinäpäästöarvo on mitattu EN50636-standardin testausmenetelmän mukaisesti, ja arvoa voi käyttää työkalujen keskinäiseen vertailuun. Ilmoitettua tärinäpäästöarvoa voi käyttää myös alustavan altistumisen arvioimiseen.

Varoitus! Sähkötyökalun käytön aikana mitattu todellinen tärinäpäästöarvo voi poiketa ilmoitetusta tärinäpäästöarvosta työkalun käyttötavan mukaan. Tärinätaso voi olla ilmoitettua tasoa suurempi.

Kun tärinälle altistumista arvioidaan sen määrittämiseksi, mitä direktiivin 2002/44/EY mukaisia turvatoimenpiteitä vaaditaan sähkötyökaluja säännöllisesti käyttävien henkilöiden suojelemiseksi, tärinälle altistumisen arvioinnissa on otettava huomioon todelliset käyttöolosuhteet ja työkalun käyttötavat. Todellisen käytön lisäksi on kiinnitettävä huomiota myös siihen, milloin työkalu on sammutettuna tai se käy tyhjäkäynnillä.

Älä käytä laitetta, jos se tärisee normaalista poikkeavalla tavalla.

Muiden henkilöiden turvallisuus

- ◆ Tämä laite ei ole tarkoitettu henkilöiden (mukaan lukien lapset) käytettäväksi, joiden fyysiset, sensoriset tai henkiset kyvyt tai kokemus ja tietämys ovat rajalliset, ellei heidän turvallisuudestaan vastuussa oleva henkilö valvo tai ohjaa heitä laitteen käytössä.
- ◆ Lapsia on valvottava ja estettävä leikkimästä laitteella.
- ◆ Kun ruohonleikkuri on osunut johonkin, Tarkista laite vaurioiden varalta ja korjaa tarvittaessa.

Jäännösriskit

Myös muut kuin turvavaroituksissa mainitut riskit ovat mahdollisia työkalua käytettäessä. Nämä riskit voivat liittyä muun muassa virheelliseen tai pitkäaikaiseen käyttöön. Asiaan kuuluvien turvamääräysten noudattamisesta ja turvalaitteiden käytöstä huolimatta tiettyjä jäännösriskejä ei voi välttää.

Näitä ovat:

- ◆ liikkuvien osien koskettamisen aiheuttamat vahingot
- ◆ kuumien osien koskettamisen aiheuttamat vahingot
- ◆ osia tai lisälaitteita vaihdettaessa aiheutuneet vahingot
- ◆ laitteen pitkäaikaisen käytön aiheuttamat vahingot.
Kun käytät laitetta pitkään, varmista, että pidät säännöllisesti taukoja.
- ◆ Kuulon heikkeneminen.
- ◆ Työkalua käytettäessä (esimerkiksi puuta, erityisesti tammea, pyökkiä ja MDF-levyjä käsiteltäessä) syntyneen pölyn sisäänhengityksen aiheuttamat terveysriskit.
- ◆ Jos leikkurin käyttö kosteassa ympäristössä on välttämätöntä, käytä vikavirtasuojakytkintä (RCD), jonka laukaisuvirta on korkeintaan 30 mA. Tämä vähentää sähköiskun vaaraa.
- ◆ Älä koskaan nosta tai kuljeta laitetta sen moottorin ollessa käynnissä.

Varoitusmerkit

Työkaluun on merkitty päivämääräkoodi sekä seuraavat varoitusmerkit:



Varoitus! Lue käyttöohje ennen laitteen käyttöönottoa.



Älä käytä laitetta sateessa tai erittäin kosteissa olosuhteissa.



Irrota verkkojohto pistorasiasta aina ennen vaurioituneen johdon tarkistamista. Älä käytä laitetta, jos virtajohto on vahingoittunut.





Varo teräviä teriä.



Varo sinkoilevia esineitä.
Pidä sivulliset poissa
leikkausalueelta.



Pidä verkkovirtajohto kaukana
leikkuuteristä.



Terien liike jatkuu vielä hetken
moottorin sammuttamisen
jälkeen.



Direktiivin 2000/14/EY mukainen
taattu ääniteho.

Sähköturvallisuus



Varoitus! Tämä laite on
kaksoiseristetty, joten erillistä
maadoitusta ei tarvita. Tarkista
aina, että verkkovirran jännite
vastaa tyyppikilpeen merkittyä
jännitettä.

- ♦ Jos virtajohto vahingoittuu, sen vaihtaminen on turvallisuussyistä jätettävä valmistajan tai valtuutetun BLACK+DECKER-huollon tehtäväksi.
- ♦ Sähköturvallisuutta voi parantaa käyttämällä erittäin herkkää (30 mA) vikavirtasuojaa.

Yleiskuvaus

Tässä laitteessa on kaikki tai joitakin seuraavista ominaisuuksista.

1. Kytinkotelo
2. Virtakytkin
3. Käynnistysliipaisin
4. Yläkahva
5. Alakahva
6. Keräyssäiliö

7. Moottorisuoja
8. Kantokahva

Asennus

Varoitus! Varmista ennen kokoamista, että virta on katkaistu ja että virtajohto on irti pistorasiasta.

Keräyssäiliön kokoaminen (kuvat A, B ja C)

Kolmessa osassa toimitettava keräyssäiliö on koottava ennen käyttöä.

- ♦ Napsauta kahva (6a) keräyssäiliön kanteen (6b) (kuva B). Kahva sopii paikalleen vain yhdellä tavalla.
- ♦ Aseta kansi (6b) keräyssäiliön (6c) alaosan päälle. Varmista, että ohjaimet ovat kohdallaan (kuva C).

Huomautus: Ole erittäin huolellinen, kun kohdistat keräyssäiliön takaosassa olevat kaksi kiinnikettä.

- ♦ Lukitse kaikki kiinnikkeet painamalla kantta alaspäin. Aloita takaa ja varmista, että kaikki kiinnikkeet ovat kunnolla paikallaan.

Keräyssäiliön asentaminen (kuva D)

- ♦ Nosta läppä (8) ja aseta keräyssäiliö (6) kiinnikkeisiin.

Kytinkotelon asentaminen (kuva E)

- ♦ Kohdistat kytinkotelon (1) muovitapit kahvassa (1b) oleviin reikiin ja varmista, että kytinkotelo on kahvan yläreunan päällä.
- ♦ Työnnä kytinkotelon (1) muovitapit kokonaan kahvassa olevien reikien läpi.
- ♦ Työnnä muovikansi (1b) kytinkotelossa (1) oleviin kapeisiin uriin.
- ♦ Kiinnitä muovikansi (1b) kahdella laitteen mukana toimitetulla ruuvilla.

Alakahvan kiinnittäminen (kuva F)

- ♦ Aseta kahvojen alaosan (5) päät laitteen aukkoihin.
- ♦ Paina kahva kokonaan alas.
- ♦ Kiinnitä kahva ruuveilla (5a).

Yläkahvan kokoaminen (kuva G)

- ♦ Kiinnitä yläkahva (4) alakahvaan (5) lukitusnupeilla (4a), aluslevyillä (4c) ja ruuveilla (4b) kuvan mukaisesti.

Huomautus: Yläkahva voidaan kiinnittää kahteen eri korkeusasentoon.

Käynnistys ja sammutus (kuva H)

Käynnistäminen

- ♦ Paina virtakytkintä (2).
- ♦ Vedä käynnistysliipaisinta (3) kahvaa kohti.

Sammuttaminen

- ♦ Vapauta käynnistysliipaisin (3).

Varoitus! Älä koskaan yritä lukita kytkimiä käyttöasentoon.

Leikkauskorkeuden säätö (kuva I)

Varoitus! Varmista, että terä on kokonaan pysähtynyt, ja irrota laite virtalähteestä.

Leikkauskorkeutta säädetään muuttamalla kaikkien pyörien korkeutta. Valittavissa on kolme asentoa.

- ◆ Irrota keräyssäiliö (7).
- ◆ Käännä ruohonleikkuri ylösalaisin.
- ◆ Tartu pyörään (24) ja irrota akseli työntämällä ja vetämällä se irti nykyisestä asennostaan.
- ◆ Siirrä pyörää (24) ylös- tai alaspäin seuraavaan käytettävissä olevaan paikkaan.

Huomautus: Säädä yhtä pyörää kerrallaan. Säädä yhtä korkeusasentoa kerrallaan.

Reunaleikkaus (kuvat J, K)

Reunaleikkauksen avulla voit leikata ruohon myös aivan seinän tai aidan vierestä (kuva J).

Reunaleikkauksen avulla voit leikata ruohon tarkasti nurmikon reunan asti (kuva K).

- ◆ Kun ruohonleikkuri on samansuuntaisesti nurmikon reunan nähden, paina ruohonleikkuria nurmikon reunaa pitkin. Varmista, että leikkurin reuna ulottuu hieman nurmikon reunan yli (kuva K).

Terän vaihtaminen (kuva L)

Varoitus! Varmista, että terä on kokonaan pysähtynyt, ja irrota laite virtalähteestä.

Varoitus! Käytä ilmoitettua vaihtoterää.

Varoitus! Tartu terään käyttämällä paksuja suojakäsineitä.

Terän irrottaminen:

- ◆ Käännä laite kyljelleen.
- ◆ Tartu paksuilla käsineillä terään.
- ◆ Löysää ja irrota terän pultti (10) 13 mm:n kiintoavaimella kääntämällä kiintoavainta vastapäivään.
- ◆ Irrota terä (9) ja terän pultti (10).

Terän vaihtaminen:

- ◆ Aseta terä pultin varteen ja kiinnitä terän pultti (10) pultin varteen.

Huomautus: Terää asennettaessa tekstipuoli tulee käyttäjään päin.

- ◆ Kiristä terän pultti (10) käsin mahdollisimman hyvin.
- ◆ Tartu paksuilla käsineillä terään.
- ◆ Kiristä terän pultti (10) 13 mm:n kiintoavaimella kääntämällä kiintoavainta myötäpäivään.

Ruohon leikkaaminen (kuvat M1 ja M2)

On suositeltavaa käyttää ruohonleikkuria tässä osassa kerrotulla tavalla. Näin saavutetaan paras lopputulos ja ehkäistään verkkojohdon vahingoittuminen.

- ◆ Aseta suurin osa johdosta maahan lähelle aloituskohtaa (kuva M1, kohta 1).
- ◆ Käynnistä laite yllä kuvatulla tavalla.
- ◆ Toimi kuvan M1 osoittamalla tavalla.

- ◆ Siirry kohdasta 1 kohtaan 2.
- ◆ Käännä oikeaan ja siirry kohtaa 3 kohti.
- ◆ Käännä vasemmalle ja siirry kohtaa 4 kohti.
- ◆ Toista tarpeen mukaan.

Varoitus! Älä liiku johtoa päin kuvan N2 osoittamalla tavalla.

Terän teroittaminen

Huomautus: BEMW451 käyttää BLACK+DECKER-terää (kat. # A6305). Terävä terä leikkaa ruohoa parhaiten. Tylsä terä ei leikkaa ruohoa siististi. Käytä suojalaseja, kun irrotat, teroitat ja kiinnität terää. Normaalioloissa yleensä riittää, kun terä teroitetaan kaksi kertaa kesässä.

Hiekka tylsyyttää terän nopeasti. Jos ruoho kasvaa hiekkamaassa, terää voi joutua teroittamaan useammin.

Huomautus: Vaihda vääntyneen tai vahingoittuneen terän tilalle uusi.

Terän teroittamisessa huomioitavaa:

- ◆ Varmista, että terän tasapaino säilyy.
- ◆ Säilytä terän alkuperäinen teroituskulma.
- ◆ Teroitä leikkaavat kohdat terän molemmin puolin ja poista metallia saman verran molemmilta puolilta.

Terän teroittaminen ruuvipenkissä (kuva N)

- ◆ Varmista aina ennen terän irrottamista, että terä on pysähtynyt ja leikkuri on irrotettu virtalähteestä.
- ◆ Poista terä ruohonleikkurista. Lue terän asennus- ja irrotusohjeet.
- ◆ Kiinnitä terä (9) ruuvipenkkiin (11).
- ◆ Käytä asianmukaisia suojalaseja ja suojakäsineitä ja varo teräviä reunoja. Viilaa terän leikkauspinnat hienolla viilalla (12) tai hiomakivellä. Säilytä alkuperäinen leikkauskulma. Tarkista terän tasapaino. Katso terän tasapainotusohjeet.
- ◆ Vaihda leikkurin terä ja kiristä hyvin.

Terän tasapainottaminen (kuva O)

Tarkista terän (9) tasapaino asettamalla terän keskellä oleva reikä naulaan tai pyörään ruuviavaimen, joka on kiinnitetty ruuvipenkkiin vaaka-asentoon. Jos jokin terän pää pyörii alaspäin, viilaa laskevan pään terävää reunaa. Terä on tasapainotettu, kun kumpikaan pää ei painu alas.

Voiteleminen

Voitelu ei ole tarpeen. Älä voitele pyöriä. Niiden muoviset laakeripinnat eivät vaadi voitelua.

Puhdistaminen

Sammuta leikkuri ja anna terän pysähtyä. Käytä ruohonleikkurin puhdistamiseen vain mietoja pesuainetta ja kosteaa kangasta. Irrota alustan alapintaan mahdollisesti tarttunut leikkujäte. Tarkista useiden käyttökertojen jälkeen kiinnikkeiden pitävyyttä.

Korroosion estäminen

Lannoitteet ja muut puutarhakemikaalit sisältävät aineita, jotka nopeuttavat metallien korroosiota. Jos ruohonleikkurin käyttöalueelle on levitetty lannoitteita tai kemikaaleja, ruohonleikkuri on puhdistettava heti käytön jälkeen seuraavasti:
Sammuta leikkuri ja irrota pistoke virtalähteestä. Pyyhi lannoitteelle altistuneet osat kostealla rievulla.

Huolto

Verkkojohdolla varustettu tai verkkojohdoton BLACK+DECKER-laite on suunniteltu toimimaan mahdollisimman kauan mahdollisimman vähällä huollolla. Oikealla huollolla ja säännöllisellä puhdistuksella työkalu/laite säilyttää suorituskykynsä.

Varoitus! Ennen verkkojohdolla varustetun tai verkkojohdoton sähkötyökalun huoltoa toimi seuraavasti:

- ◆ Sammuta laite/työkalu ja irrota se verkkovirrasta.
- ◆ Jos akku on ehjä, käytä akku täysin loppuun ja sammuta laite sitten.
- ◆ Irrota laturi pistorasiasta ennen laturin puhdistamista. Laturi ei tarvitse säännöllisen puhdistamisen lisäksi mitään muuta huoltoa.
- ◆ Puhdista työkalun, laitteen ja laturin ilma-aukot säännöllisesti pehmeällä harjalla tai kuivalla kangasliinalla.
- ◆ Puhdista moottorikotelo säännöllisesti kostealla liinalla. Älä käytä hankaavia tai liuotinpohjaisia puhdistusaineita.
- ◆ Poista ruoho ja lika suojuksen alta säännöllisesti työpällä kaapimella.

Vianetsintä

Jos laite ei näytä toimivan oikein, noudata seuraavia ohjeita. Jos tämä ei auta, ota yhteys paikalliseen BLACK+DECKER-huoltoiliikkeeseen.

Varoitus! Ennen jatkamista sammuta ruohonleikkuri vapauttamalla työntöaisa ja odota kunnes terä pysähtyy.

Ongelma	Mahdollinen syy	Mahdollinen ratkaisu
Laite ei toimi.	Virta on katkaistu.	Kytke virta päälle.
	Sulake on viallinen tai palanut.	Vaihda sulake.
	Ruoho on liian pitkä.	Lisää leikkauskorkeutta ja aloita ruohon leikkaaminen kohdasta, jossa ruoho on matalampaa.
	Lämpökytkin on lauennut.	Anna moottorin jäähtyä ja lisää leikkauskorkeutta.
Laite toimii katkonaisesti.	Lämpökytkin on lauennut.	Anna moottorin jäähtyä ja lisää leikkauskorkeutta.

Ongelma	Mahdollinen syy	Mahdollinen ratkaisu
Laite tuottaa epätasaisen jäljen tai moottori käy voimakkaasti.	Leikkauskorkeus on liian pieni.	Lisää leikkauskorkeutta.
	Terä on tylsä.	Laita terä takaisin paikalleen.
	Laitteen alaosa on tukkeutunut.	Tarkista laitteen alaosa ja puhdista se tarpeen mukaan (käytä aina paksuja suojakäsineitä)
	Terä on asennettu ylösalaisin.	Asenna terä oikein.

Ympäristönsuojelu



Toimita tämä laite erilliskeräykseen. Tällä symbolilla merkityitä tuotteita ja akkuja ei saa hävittää tavallisen kotitalousjätteen mukana.

Tuotteissa ja akuissa on materiaaleja, jotka voidaan ottaa talteen tai kierrättää uudelleen käyttöä varten. Kierrätä sähkölaitteet ja akut paikallisten määräyksien mukaan. Lisätietoa on saatavilla osoitteessa www.2helpU.com

Tekniset tiedot

		BEMW451
Jännite	V_{AC}	230
Ottoteho	W	1200
Kuormittamaton nopeus	min^{-1}	3500
Korkeussäätö	mm	23 - 63
Terän pituus	mm	320
Paino	Kg	8.33

Käden/käsivarren painotettu värinäarvo:
= $2,5m/s^2$, epävarmuus (K) = $1,5m/s^2$.

Äänenpainetaso käyttäjän paikalla:
 L_{PA} : 78,5 dB(A); K= 4,0 dB(A)

Äänitehotaso (L_{WA}): 93 dB(A); K= 3 dB(A)

EY-vaatimustenmukaisuusvakuutus
KONEDIREKTIIVI
ULKOILMAMELUDIREKTIIVI



BEMW451 -ruohonleikkuri

Black & Decker ilmoittaa, että tuotteet, jotka on kuvattu kohdassa Tekniset tiedot, täyttävät seuraavien direktiivien vaatimukset:

2006/42/EY, EN 60335-1:2012 + A11:2014, EN 60335-2-77:2010

2000/14/EY, Ruohonleikkuri, L < 50 cm, Liite VI,

DEKRA Certification B.V. Meander 1051 / P.O. Box 5185
6825 MJ ARNHEM / 6802 ED ARNHEM Netherlands.

Akustisen tehon taso direktiivin 2000/14/EY (artikla 12, liite III, L < 50 cm) mukaisesti:

mittattu äänitehotaso L_{WA} : 93 dB(A); K=3 dB(A).

taattu äänitehotaso L_{WA} : 96 dB(A).

Nämä tuotteet täyttävät myös direktiivien 2014/30/EU ja 2011/65/EU vaatimukset. Lisätietoja saa ottamalla yhteyden Black & Deckeriin seuraavassa osoitteessa. Tiedot ovat myös käyttöohjeen takakannessa.

Allekirjoittanut vastaa teknisten tietojen kokoamisesta tehden tämän ilmoituksen Black & Deckerin puolesta.



R. Laverick

Teknisen osaston johtaja

Black & Decker Europe, 210 Bath Road, Slough,
Berkshire, SL1 3YD

Iso-Britannia

27.10.2017

Takuu

Black & Decker on vakuuttanut tuotteidensa korkeasta laadusta ja tarjoaa kuluttajille 24 kuukauden takuun, joka astuu voimaan ostopäivänä. Takuu on lisäys kuluttajan laillisiin oikeuksiin eikä vaikuta niihin. Tämä takuu on voimassa kaikissa EU- ja ETA-maissa.

Edellytyksenä takuun saamiselle on, että vaade täyttää Black & Deckerin ehdot ja että ostaja toimittaa ostotositteen jälleenmyyjälle tai valtuutetulle huoltoliikkeelle. Black & Deckerin kahden vuoden takuun ehdot ja lähimmän valtuutetun korjauspalvelun yhteystiedot ovat saatavilla osoitteessa www.2helpU.com tai ottamalla yhteyttä paikalliseen Black & Deckerin toimipisteeseen tässä ohjekirjassa ilmoitettuihin osoitteisiin.

Käy verkkosivuillemme osoitteessa www.blackanddecker.fi ja rekisteröi uusi Black & Decker -tuotteesi saadaksesi tietoa uusista tuotteista ja erikoistarjouksista.

Problepómenh khrihsē

H xlookoppikhē mhkhnhē BLACK+DECKER BEMW451 ēchi sxhediasēi gia kóurēma gkazón. Aupē h suskeuhē pproorizētai móno gia katanaulwikhē khrihsē.

Odhiēis asfalēias

Proēidopoiēsh! Katá th khrihsē suskeuhón pou trofodotóuntai me rēúma diktúou, tha pérépei na lamvónontai oi basikhēs pprofuláēxis asfalēias, sumperilambvonómēnōn ton parakátw, gia ton perioris mó tou kinvónou pwrkagihēs, hlektroplhēxhēs kai swmatikhón blabōn.

- ◆ Pwin khrihsimopoiēshēte th suskeuhē diabáste pprosxektiká olóklhro to egchēiridío.
- ◆ H pproblepómenh khrihsē perigráfētai se autó to egchēiridío. Tóso h khrihsē aēxēsouár h pprosxartihēmátwn, óso kai h pragmatopoiēsh me aupē th suskeuhē opoiasdhēpote ergasihēs, pēran autōn pou sunistōntai sto parón egchēiridío odhiōn, mporei na egkumonei kinvono swmatikhón blabōn.
- ◆ Fwuláēte autó to egchēiridío gia mellonikhē anaforá.

Ekmáthēsh

- ◆ Diabáste tis odhiēis pprosxektiká. Eēxikewihēitē me ta khēiristhēria kai th swsthē khrihsē ths suskeuhēs.
- ◆ Mhē afhēnete potē mikrá paidiá h átoma pou den gnwōrizoun autēs tis odhiēis na khrihsimopoiēshoun th mhkhnhē. Oi kanonismoi pou iskhoun sthn periochē sas mporei na epibálloun periorisimous sthn hlikia tou khēiristhē.
- ◆ Mhē khrihsimopoiēite potē to mhkhnhēma ótan upárxoun konτά ánthrwpoi kai idiaiētera paidiá, h katokikhia zwa.
- ◆ Échete upósh sas óti o khēiristhēs h o khrihsēths ēinai pánta upēúthnos gia atykhēmata h kinvónous pou pprokalóuntai se trítous h twn idioκτηsiá tous.

Προετοιμασία

- ♦ Κατά τη χρήση του μηχανήματος φοράτε πάντα υποδήματα βαρέος τύπου και μακρύ παντελόνι. Μη χρησιμοποιείτε το μηχάνημα όταν είστε ξυπόλητοι ή φορώντας ανοιχτά σανδάλια. Αποφύγετε ρούχα με χαλαρή εφαρμογή ή με κορδόνια που κρέμονται καθώς και τις γραβάτες.
- ♦ Επιθεωρήστε προσεκτικά την περιοχή όπου θα χρησιμοποιηθεί το μηχάνημα και απομακρύνετε όλες τα αντικείμενα τα οποία μπορούν να εκσφενδονιστούν από το μηχάνημα.
- ♦ Πριν τη χρήση, πάντα επιθεωρείτε οπτικά για να βεβαιωθείτε ότι η λεπίδα, το μπουλόني της λεπίδας και το συγκρότημα της λεπίδας δεν έχουν φθαρεί ή υποστεί ζημιά. Αντικαθιστάτε σε σερτ τα εξαρτήματα που έχουν υποστεί φθορά ή ζημιά, για να διατηρήσετε τη σωστή ζυγοστάθμιση. Αντικαθιστάτε τις ετικέτες που έχουν υποστεί ζημιά ή δεν είναι αναγνώσιμες.
- ♦ Πριν από τη χρήση, ελέγξτε προσεκτικά το καλώδιο τροφοδοσίας και το καλώδιο επέκτασης για σημάδια ζημιάς ή γήρανσης. Εάν το καλώδιο υποστεί ζημιά κατά τη χρήση, αποσυνδέστε το αμέσως από την πρίζα. ΜΗΝ ΑΓΓΙΞΕΤΕ ΤΟ ΚΑΛΩΔΙΟ ΠΡΙΝ ΑΠΟΣΥΝΔΕΣΕΤΕ ΤΗΝ ΤΡΟΦΟΔΟΣΙΑ. Μην χρησιμοποιείτε το μηχάνημα αν το καλώδιο έχει υποστεί ζημιά ή φθορά.
- ♦ Φοράτε γυαλιά ασφαλείς ή ειδικά προστατευτικά γυαλιά όταν χρησιμοποιείτε αυτό το εργαλείο. Χρησιμοποιείτε προσωπίδα ή μάσκα προστασίας από τη σκόνη όταν εργάζεστε σε περιβάλλον με πολλή σκόνη. Φοράτε προστατευτικά ακοής οποτεδήποτε η στάθμη θορύβου γίνεται ενοχλητική.
- ♦ Λάβετε τις κατάλληλες προφυλάξεις κατά της ηλεκτροπληξίας.

Εμποδίστε τη σωματική επαφή με γειωμένες ή συνδεδεμένες με το έδαφος επιφάνειες (π.χ. μεταλλικά κιγκλιδώματα, φανοστάτες κλπ.).

Λειτουργία

- ♦ Μη χρησιμοποιείτε ποτέ τη συσκευή με ελαττωματικούς προφυλακτήρες ή προστατευτικά ή χωρίς τις διατάξεις ασφαλείας, για παράδειγμα εκτροπείς και/ή συλλέκτες γρασιδιού, τοποθετημένα στη θέση τους.
- ♦ Χρησιμοποιήστε τη συσκευή μόνο με φως ημέρας ή με επαρκή τεχνητό φωτισμό.
- ♦ Μην εκθέτετε τη συσκευή στη βροχή. Μη χρησιμοποιείτε τη συσκευή σε οποιοσδήποτε συνθήκες υγρασίας. Αποφεύγετε να χρησιμοποιείτε τη συσκευή σε βρεγμένο γρασίδι.
- ♦ Να είστε βέβαιοι για το που πατάτε, ιδιαίτερα σε εδάφη με κλίση. Να έχετε υπόψη σας ότι το φρεσκοκομμένο γρασίδι είναι νωπό και ολισθηρό. Μην εργάζεστε σε τοποθεσίες με απότομη κλίση.
- ♦ Σε εδάφη με κλίση, να εργάζεστε κατά το πλάτος της κλίσης και ποτέ προς τα πάνω και κάτω. Να επιδεικνύετε εξαιρετική προσοχή όταν αλλάζετε κατεύθυνση σε εδάφη με κλίση.
- ♦ Μην κουρεύετε σε υπερβολικά απότομες κλίσεις.
- ♦ Όταν χρησιμοποιείτε τη συσκευή να περπατάτε, ποτέ μην τρέχετε. Μην τραβάτε τη συσκευή προς το μέρος σας και μη βαδίζετε προς τα πίσω όταν χρησιμοποιείτε τη συσκευή.
- ♦ Ενεργοποιείτε τη συσκευή σύμφωνα με τις οδηγίες και με τα πόδια σας μακριά από τη λεπίδα.
- ♦ Μη θέτετε σε λειτουργία το μηχάνημα ενώ στέκεστε μπροστά στο άνοιγμα εξόδου του.

- ◆ Μη γέρνετε τη συσκευή όταν την ενεργοποιείτε εκτός εάν είναι απαραίτητο η συσκευή να πάρει κλίση για να εκκινηθεί. Στην περίπτωση αυτή, μη γέρνετε τη συσκευή περισσότερο από όσο είναι απολύτως αναγκαίο και να ανασηκώσετε μόνο το τμήμα της συσκευής που βρίσκεται μακριά από το χειριστή. Εξασφαλίστε πάντοτε ότι και τα δύο σας χέρια είναι στη θέση χειρισμού πριν επαναφέρετε τη συσκευή στο έδαφος.
 - ◆ Απενεργοποιείτε τη συσκευή και περιμένετε μέχρι το συγκρότημα λεπίδων να σταματήσει να λειτουργεί στην περίπτωση που πρέπει να γείρετε τη συσκευή για να τη μεταφέρετε όταν διασχίζετε επιφάνειες άλλες από γρασίδι, καθώς και όταν μεταφέρετε τη συσκευή προς και από την περιοχή που θα κουρέψετε.
 - ◆ Μη σηκώνετε και μη μεταφέρετε τη συσκευή προτού η λεπίδα της ακινητοποιηθεί εντελώς.
 - ◆ Κρατήστε τα χέρια και τα πόδια σας μακριά από τη λεπίδα.
 - ◆ Μην πλησιάζετε τα χέρια ή τα πόδια σας κοντά ή κάτω από περιστρεφόμενα μέρη.
 - ◆ Παραμένετε πάντοτε μακριά από τα ανοίγματα εκκένωσης.
 - ◆ Απενεργοποιήστε, αποσυνδέστε το φως από την πρίζα και βεβαιωθείτε ότι τα κινούμενα μέρη έχουν σταματήσει να περιστρέφονται πριν αφήσετε τη συσκευή χωρίς επιτήρηση καθώς και πριν αλλάξετε, καθαρίσετε ή επιθεωρήσετε οποιοδήποτε τμήμα της συσκευής ή πριν απελευθερώσετε κάποια εμπλοκή. Αφού χτυπήσει σε ξένο αντικείμενο. Επιθεωρήστε το μηχάνημα για ζημιές και πραγματοποιήστε τις επισκευές πριν επανεκκινήσετε και χρησιμοποιήσετε το μηχάνημα.
 - ◆ Εάν η συσκευή αρχίζει να δονείται αφύσικα ή εάν χτυπήσετε ένα ξένο σώμα, απενεργοποιήστε τη συσκευή και αποσυνδέστε το φως από την πρίζα. Ελέγξτε τη συσκευή για τυχόν ζημιά, αντικαταστήστε ή επιδιορθώστε τυχόν ελαττωματικά εξαρτήματα, ελέγξτε για και σφίξτε τυχόν χαλαρά εξαρτήματα.
 - ◆ Προσέξτε το καλώδιο ρεύματος να παραμένει μακριά από τη λεπίδα. Να έχετε πάντα υπόψη σας τη θέση του καλωδίου.
 - ◆ Ο κινητήρας συνεχίζει να λειτουργεί για μερικά δευτερόλεπτα αφού απενεργοποιηθεί η συσκευή. Μην επιχειρήσετε ποτέ να ακινητοποιήσετε τη λεπίδα εξαναγκαστικά.
- ### Συντήρηση και αποθήκευση
- ◆ Πριν από τη χρήση, ελέγξτε τη συσκευή σας για τυχόν εξαρτήματα που παρουσιάζουν ζημιά ή βλάβη. Ελέγξτε για τυχόν λανθασμένη ευθυγράμμιση και κόλλημα στα κινούμενα μέρη, για τυχόν σπασμένα εξαρτήματα, ζημιές στους προφυλακτήρες και διακόπτες, καθώς και οποιαδήποτε άλλη κατάσταση που μπορεί να επηρεάσει τη λειτουργία. Εξασφαλίστε ότι η συσκευή θα λειτουργήσει σωστά και θα επιτελέσει την προβλεπόμενη λειτουργία της. Μη χρησιμοποιείτε ποτέ τη συσκευή όταν κάποιος από τους προφυλακτήρες ή τα περιβλήματά της έχουν υποστεί ζημιά ή δεν είναι στη θέση τους. Μη χρησιμοποιήσετε τη συσκευή αν οποιοδήποτε εξάρτημά της έχει υποστεί ζημιά ή βλάβη. Μη χρησιμοποιήσετε τη συσκευή αν ο διακόπτης της δεν την ενεργοποιεί και απενεργοποιεί. Δώστε τα τυχόν χαλασμένα ή ελαττωματικά εξαρτήματα για αντικατάσταση ή επιδιόρθωση σε ένα εξουσιοδοτημένο κέντρο επισκευών.
 - ◆ Ελέγχετε συχνά το καλώδιο για ζημιές.

Εάν το καλώδιο έχει υποστεί ζημιά, πρέπει να αντικατασταθεί από ένα εξουσιοδοτημένο κέντρο επισκευών ώστε να μην αποτελέσει κίνδυνο. Επιθεωρείτε τακτικά τα καλώδια επέκτασης. Να αντικαθιστάτε αμέσως ένα καλώδιο επέκτασης που έχει υποστεί ζημιά.

- ◆ Διατηρείτε καλά σφικμένα όλα τα παξιμάδια, τα μπουλόνια και τις βίδες στη συσκευή προκειμένου να εξασφαλίζεται η ασφαλής κατάσταση λειτουργίας.
- ◆ Ελέγχετε το συλλέκτη γρασιδιού για φθορές ή ζημιές και αντικαταστήστε τον εάν είναι χρειάζεται. Μη χρησιμοποιήσετε ποτέ τη συσκευή χωρίς το συλλέκτη γρασιδιού.
- ◆ Προσέχετε κατά τη ρύθμιση του μηχανήματος για να αποτρέψετε εμπλοκή των δακτύλων μεταξύ των κινούμενων λεπίδων και των σταθερών τμημάτων του μηχανήματος.
- ◆ Κατά τη συντήρηση των λεπίδων να έχετε υπόψη σας ότι, παρόλο που η πηγή τροφοδοσίας είναι αποσυνδεδεμένη, οι λεπίδες εξακολουθούν να μπορούν να κινηθούν.
- ◆ Όταν η συσκευή δεν χρησιμοποιείται, πρέπει να φυλάσσεται σε ξηρό χώρο. Τα παιδιά δεν πρέπει να έχουν πρόσβαση σε αποθηκευμένες συσκευές.
- ◆ Πάντοτε αφήνετε το μηχανήμα να κρυώσει πριν το αποθηκεύσετε.
- ◆ Βεβαιωθείτε ότι χρησιμοποιείτε μόνο ανταλλακτικά εξαρτήματα κοπής του σωστού τύπου.
- ◆ Χρησιμοποιείτε μόνο ανταλλακτικά και αξεσουάρ που συνιστά η BLACK+DECKER.

Συμπληρωματικές οδηγίες ασφαλείας για τα χλοοκοπτικά

- ◆ Χρησιμοποιείτε πάντα εγκεκριμένο καλώδιο επέκτασης, κατάλληλο για την ισχύ

εισόδου αυτού του εργαλείου (δείτε τεχνικά χαρακτηριστικά). Το καλώδιο επέκτασης πρέπει να είναι κατάλληλο για χρήση σε εξωτερικούς χώρους και να φέρει την αντίστοιχη σήμανση. Μπορείτε να χρησιμοποιήσετε ένα καλώδιο προέκτασης 1,5 mm2 HO5VV-F μήκους έως 30 m, χωρίς απώλειες απόδοσης. Πριν από τη χρήση, ελέγξτε προσεκτικά το καλώδιο επέκτασης για σημάδια ζημιάς, φθοράς ή παλαιώσης. Αντικαταστήστε το καλώδιο επέκτασης αν παρουσιάσει ζημιά ή βλάβη. Όταν χρησιμοποιείτε καλώδιο σε καρούλι, πάντα ξετυλίγεται τελείως το καλώδιο.

- ◆ Μη μεταφέρετε το μηχανήμα όταν είναι σε λειτουργία η πηγή ρεύματος.
- ◆ Κρατάτε γερά τη λαβή και με τα δύο χέρια όταν χρησιμοποιείτε τη χλοοκοπτική μηχανή.
- ◆ Αν οποιαδήποτε στιγμή είναι απαραίτητο να γείρετε τη χλοοκοπτική μηχανή, βεβαιωθείτε ότι και τα δύο χέρια σας παραμένουν στη θέση χειρισμού ενώ γέρνετε τη μηχανή. Κρατήστε και τα δύο χέρια στη θέση χειρισμού μέχρι να επαναφέρετε τη χλοοκοπτική μηχανή στην σωστή θέση στο έδαφος.
- ◆ Ποτέ μη φοράτε ακουστικά ραδιοφώνου ή συσκευής αναπαραγωγής μουσικής όταν χειρίζεστε τη χλοοκοπτική μηχανή.
- ◆ Ποτέ μην αποπειραθείτε να πραγματοποιήσετε ρύθμιση του ύψους τροχού όταν το μοτέρ βρίσκεται σε λειτουργία ή ενώ το κλειδί ασφαλείας βρίσκεται μέσα στο περίβλημα του διακόπτη.
- ◆ Αν μπλοκάρει η χλοοκοπτική μηχανή, απενεργοποιήστε την και περιμένετε να σταματήσει η λεπίδα, πριν επιχειρήσετε να απομακρύνετε τη χοάνη ή να απομακρύνετε οτιδήποτε από κάτω από το δάπεδο της μηχανής.

- ◆ Μην πλησιάζετε τα χέρια και τα πόδια σας στην περιοχή κοπής.
 - ◆ Διατηρείτε τις λεπίδες αιχμηρές. Φοράτε πάντοτε προστατευτικά γάντια όταν χειρίζεστε τη λεπίδα της χλοοκοπτικής μηχανής.
 - ◆ Εάν χρησιμοποιείτε το συλλέκτη γρασιδιού, ελέγχετε τον τακτικά για φθορά και υποβάθμιση της κατάστασής του. Αν έχει φθαρεί υπερβολικά, αντικαταστήστε τον με νέο συλλέκτη γρασιδιού, για τη δική σας ασφάλεια.
 - ◆ Επιδεικνύετε εξαιρετική προσοχή όταν κινείστε προς τα πίσω ή τραβάτε τη χλοοκοπτική μηχανή προς το μέρος σας.
 - ◆ Μην πλησιάζετε τα χέρια ή τα πόδια σας κοντά ή κάτω από τη χλοοκοπτική μηχανή. Παραμένετε πάντα μακριά από τα ανοίγματα εξαγωγής.
 - ◆ Καθαρίστε την περιοχή όπου θα χρησιμοποιηθεί η χλοοκοπτική μηχανή από αντικείμενα όπως πέτρες, ξύλα, σύρματα, παιγνίδια, κόκαλα κλπ., τα οποία μπορούν να εκσφενδονιστούν από τη λεπίδα. Αντικείμενα τα οποία κτυπούν στη λεπίδα μπορούν να προκαλέσουν σοβαρό τραυματισμό σε άτομα. Παραμένετε πίσω από τη λαβή όταν ο κινητήρας βρίσκεται σε λειτουργία.
 - ◆ Μη χρησιμοποιείτε τη χλοοκοπτική μηχανή με γυμνά πόδια ή φορώντας σανδάλια. Φοράτε πάντοτε κλειστά υποδήματα.
 - ◆ Μην τραβάτε προς τα πίσω τη χλοοκοπτική μηχανή, εκτός εάν είναι απόλυτα απαραίτητο. Πάντοτε κοιτάτε κάτω και προς τα πίσω πριν και όσο κινείστε προς τα πίσω.
 - ◆ Ποτέ μην κατευθύνετε απορριπτόμενο υλικό προς οποιονδήποτε. Αποφύγετε την εξαγωγή υλικού προς κάποιο τοίχο ή άλλο εμπόδιο. Το υλικό μπορεί να εξοστρακιστεί προς το χειριστή.
- Απελευθερώστε τη λαβή εκκίνησης για να απενεργοποιηθεί η χλοοκοπτική μηχανή και να σταματήσει η λεπίδα, πριν περάσετε από επιφάνεια με χαλίκια.
- ◆ Μη χρησιμοποιείτε τη χλοοκοπτική μηχανή χωρίς ολόκληρο το συλλέκτη γρασιδιού, το προστατευτικό εξαγωγής, το πίσω προστατευτικό και άλλες προστατευτικές διατάξεις ασφαλείας στη θέση τους και σε λειτουργία. Περιοδικά ελέγχετε όλα τα προστατευτικά και τις προστατευτικές διατάξεις ασφαλείας για να εξασφαλίσετε ότι βρίσκονται σε καλή κατάσταση λειτουργίας και ότι θα λειτουργήσουν σωστά επιτελώντας το σκοπό τους. Αντικαταστήστε τυχόν προστατευτικό ή άλλη διάταξη ασφαλείας που έχει υποστεί ζημιά, πριν από την περαιτέρω χρήση.
 - ◆ Ποτέ μην αφήνετε μια χλοοκοπτική μηχανή σε λειτουργία χωρίς επιτήρηση.
 - ◆ Πάντα απελευθερώνετε την μπάρα λειτουργίας για να σταματήσει το μοτέρ και περιμένετε μέχρι να ακινητοποιηθεί απόλυτα η λεπίδα, πριν καθαρίσετε τη χλοοκοπτική μηχανή, αφαιρέσετε το σάκο συλλογής γρασιδιού, αποφράξετε το προστατευτικό εξαγωγής, όταν αφήνετε τη χλοοκοπτική μηχανή και πριν εκτελέσετε οποιαδήποτε εργασία ρύθμισης, επισκευής ή ελέγχου.
 - ◆ Χρησιμοποιείτε τη χλοοκοπτική μηχανή μόνο στο φως της ημέρας ή σε καλό τεχνητό φωτισμό, όταν αντικείμενα που τυχόν βρίσκονται στην πορεία της λεπίδας είναι εύκολα ορατά από την περιοχή χειρισμού της χλοοκοπτικής μηχανής.
 - ◆ Μη χρησιμοποιείτε τη χλοοκοπτική μηχανή όταν είστε υπό την επίδραση αλκοόλ ή ναρκωτικών ουσιών, ή όταν είστε άρρωστος(-η) ή κουρασμένος(-η).

- Πάντα να είστε σε επαγρύπνηση, να προσέχετε τι κάνετε και να χρησιμοποιείτε κοινή λογική.
- ◆ Αποφεύγετε τα επικίνδυνα περιβάλλοντα. Ποτέ μη χρησιμοποιήσετε τη χλοοκοπτική μηχανή σε υγρό ή βρεγμένο γρασίδι, ούτε στη βροχή. Να είστε πάντοτε σίγουροι για το που πατάτε, και να περπατάτε, μην τρέχετε ποτέ.
 - ◆ Αν η χλοοκοπτική μηχανή παρουσιάσει ασυνήθιστους κραδασμούς, ελευθερώστε το διακόπτη ενεργοποίησης/απενεργοποίησης (on/off), περιμένετε να σταματήσει η λεπίδα και στη συνέχεια διερευνήστε αμέσως την αιτία. Οι κραδασμοί είναι γενικά προειδοποίηση προβλήματος, δείτε τον οδηγό αντιμετώπισης προβλημάτων για συμβουλές σε περίπτωση μη φυσιολογικών κραδασμών.
 - ◆ Φοράτε πάντοτε κατάλληλα προστατευτικά ματιών και αναπνοής κατά τη χρήση της χλοοκοπτικής μηχανής.
 - ◆ Η χρήση οποιουδήποτε αξεσουάρ ή εξαρτήματος που δεν συνιστάται για χρήση με αυτή τη χλοοκοπτική μηχανή, θα μπορούσε να είναι επικίνδυνη. Χρησιμοποιείτε μόνο αξεσουάρ εγκεκριμένα από την BLACK+DECKER.
 - ◆ Ποτέ μην τεντώνετε υπερβολικά όταν χρησιμοποιείτε τη χλοοκοπτική μηχανή. Να εξασφαλίζετε πάντοτε σωστή στήριξη στα πόδια σας και καλή ισορροπία όταν χρησιμοποιείτε τη χλοοκοπτική μηχανή.
 - ◆ Σε εδάφη με κλίση, να κουρεύετε κατά το πλάτος της κλίσης και ποτέ προς τα πάνω και κάτω. Επιδεικνύετε εξαιρετική προσοχή όταν αλλάζετε κατεύθυνση σε εδάφη με κλίση.
 - ◆ Να προσέχετε για λακκούβες, αυλάκια, πέτρες ή άλλα κρυμμένα αντικείμενα. Το ανώμαλο έδαφος μπορεί να προκαλέσει ατύχημα λόγω ολίσθησης και πτώσης.

Τα ψηλά χόρτα μπορεί να κρύβουν εμπόδια.

- ◆ Μην κουρεύετε σε βρεγμένο γρασίδι ή υπερβολικά κεκλιμένα εδάφη. Η κακή στήριξη στα πόδια σας μπορεί να προκαλέσει ατύχημα λόγω ολίσθησης και πτώσης.
- ◆ Μην κουρεύετε κοντά σε γκρεμούς, χαντάκια ή πρηνή. Μπορεί να παραπατήσετε ή να χάσετε την ισορροπία σας.
- ◆ Πάντοτε αφήνετε τη χλοοκοπτική μηχανή να κρυσώσει πριν την αποθηκεύσετε.

Τραβήξτε το φως από την πρίζα και αφαιρέστε το πακέτο μπαταρίας από το μηχανήμα. Βεβαιωθείτε ότι όλα τα κινούμενα τμήματα έχουν σταματήσει τελείως:

- ◆ Όταν φεύγετε από το μηχανήμα.
- ◆ Πριν καθαρίσετε απόφραξη.
- ◆ Πριν τον έλεγχο, τον καθαρισμό ή την εργασία με τη μηχανή.

Κραδασμοί

Η δηλωμένη τιμή εκπομπής κραδασμών που αναφέρεται στα τεχνικά χαρακτηριστικά και τη δήλωση συμμόρφωσης έχει μετρηθεί σύμφωνα με τυποποιημένη μέθοδο δοκιμής που προβλέπεται από το πρότυπο EN50636 και μπορεί να χρησιμοποιηθεί για τη σύγκριση ενός εργαλείου με ένα άλλο. Η δηλωμένη τιμή εκπομπής κραδασμών μπορεί να χρησιμοποιηθεί και σε προκαταρκτική αξιολόγηση της έκθεσης.

Προειδοποίηση! Στην πράξη, η τιμή εκπομπής κραδασμών κατά την χρήση του ηλεκτρικού εργαλείου μπορεί να διαφέρει από την τιμή που δηλώθηκε, ανάλογα με τον τρόπο που χρησιμοποιείται το εργαλείο. Το επίπεδο κραδασμών μπορεί να αυξηθεί πάνω από το επίπεδο που έχει δηλωθεί.

Κατά τον προσδιορισμό της έκθεσης σε κραδασμούς για τον καθορισμό των απαιτούμενων μέτρων ασφαλείας σύμφωνα με την οδηγία 2002/44/EK για την προστασία προσώπων που χρησιμοποιούν συχνά ηλεκτρικά εργαλεία στην εργασία τους, μια προσεγγιστική εκτίμηση της έκθεσης σε κραδασμούς πρέπει να λαμβάνει υπόψη τις πραγματικές συνθήκες χρήσης και τον τρόπο χρήσης του εργαλείου, συμπεριλαμβανομένων και όλων των επιμέρους τμημάτων του κύκλου εργασίας, όπως τα χρονικά διαστήματα που το εργαλείο ήταν εκτός λειτουργίας και τα διαστήματα λειτουργίας χωρίς φορτίο, επιπλέον του χρόνου πίεσης της σκανδάλης. Μη χρησιμοποιήσετε το εργαλείο αν οι κραδασμοί φαίνονται ασυνήθιστοι.

Ασφάλεια τρίτων

- Αυτή η συσκευή δεν προορίζεται για χρήση από άτομα (περιλαμβανομένων παιδιών) με μειωμένες σωματικές, αισθητηριακές ή πνευματικές ικανότητες, ή με έλλειψη εμπειρίας και γνώσης, εκτός αν σε αυτά έχει παρασχεθεί από άτομο υπεύθυνο για την ασφάλειά τους επίβλεψη ή εκπαίδευση σχετικά με τη χρήση της συσκευής.
- Τα παιδιά πρέπει να επιτηρούνται για να εξασφαλίζεται ότι δεν παίζουν με τη συσκευή.
- Αφού χτυπήσει σε ξένο αντικείμενο. Επιθεωρήστε τη συσκευή για ζημιές και επισκευάστε όπως χρειάζεται.

Υπολειπόμενοι κίνδυνοι

Κατά τη χρήση του εργαλείου μπορεί να δημιουργηθούν πρόσθετοι υπολειπόμενοι κίνδυνοι, οι οποίοι ενδέχεται να μη συμπεριλαμβάνονται στις προειδοποιήσεις ασφαλείας που εσωκλείονται.

Αυτοί οι κίνδυνοι μπορεί να προκληθούν από κακή χρήση, παρατεταμένη χρήση κλπ. Ακόμα και με την τήρηση των σχετικών κανονισμών ασφαλείας και τη χρήση διατάξεων ασφαλείας, ορισμένοι υπολειπόμενοι κίνδυνοι δεν είναι δυνατόν να εξαλειφθούν. Σε αυτούς περιλαμβάνονται:

- Τραυματισμοί από επαφή με οποιαδήποτε κινούμενα μέρη.
- Τραυματισμοί από επαφή με καυτά εξαρτήματα.
- Τραυματισμοί κατά την αλλαγή οποιωνδήποτε εξαρτημάτων ή αξεσουάρ.
- Τραυματισμοί που προκαλούνται από παρατεταμένη χρήση της συσκευής. Όταν χρησιμοποιείτε οποιαδήποτε συσκευή για παρατεταμένες χρονικές περιόδους, βεβαιωθείτε να κάνετε τακτικά διαλείμματα.
- Βλάβη της ακοής.
- Κινδύνους για την υγεία λόγω εισπνοής σκόνης που αναπτύσσεται κατά τη χρήση του εργαλείου (παράδειγμα:- εργασία με ξύλο, ειδικά βελανιδιά, οξιά και MDF.)
- Αν δεν μπορείτε να αποφύγετε τη χρήση της χλοοκοπτικής μηχανής σε υγρή θέση, χρησιμοποιήστε μια διάταξη προστασίας από ρεύμα διαρροής (RCD), με ρεύμα ενεργοποίησης όχι μεγαλύτερο από 30 mA. Η χρήση μιας διάταξης RCD μειώνει τον κίνδυνο ηλεκτροπληξίας.
- Ποτέ μην παίρνετε στα χέρια σας ή μεταφέρετε μια συσκευή όταν το μοτέρ της είναι σε λειτουργία.

Προειδοποιητικά σύμβολα

Η συσκευή φέρει τα παρακάτω προειδοποιητικά σύμβολα μαζί με τον κωδικό ημερομηνίας:



Προειδοποίηση! Διαβάστε το εγχειρίδιο οδηγιών πριν από τη λειτουργία.



Μην εκθέτετε τη συσκευή σε βροχή ή υψηλά επίπεδα υγρασίας.



Να βγάξετε πάντα το βύσμα από την πρίζα πριν ελέγξετε ένα φθαρμένο καλώδιο. Προσέξτε να μην χρησιμοποιήσετε τη συσκευή αν το καλώδιο έχει φθαρεί ή καταστραφεί.



Προσέχετε τις αιχμηρές λεπίδες.



Προσέχετε για τυχόν αντικείμενα που εκσφενδονίζονται. Μην αφήνετε να πλησιάσουν άλλα άτομα στην περιοχή κοπής.



Διατηρείτε το καλώδιο ρεύματος σε αρκετή απόσταση από τις λεπίδες κοπής.



Οι λεπίδες συνεχίζουν να περιστρέφονται και μετά την απενεργοποίηση του μηχανήματος.



Εγγυημένη ηχητική ισχύς σύμφωνα με την Οδηγία 2000/14/ΕΚ.

Ασφαλής χρήση ηλεκτρικού ρεύματος

Προειδοποίηση! Αυτό το εργαλείο φέρει



διπλή μόνωση. Επομένως, δεν απαιτείται καλώδιο γείωσης.

Ελέγχετε πάντα ότι η παροχή ρεύματος αντιστοιχεί στην τάση που αναφέρεται στην πινακίδα στοιχείων.

- ♦ Αν το καλώδιο ρεύματος έχει υποστεί ζημιά, πρέπει να αντικατασταθεί από τον κατασκευαστή ή εξουσιοδοτημένο κέντρο σέρβις BLACK+DECKER, για την αποφυγή κινδύνου.

- ♦ Η ασφάλεια έναντι ηλεκτροπληξίας μπορεί να βελτιωθεί ακόμα περισσότερο με τη χρήση μιας Διάταξης Προστασίας Ρεύματος Διαρροής (RCD) υψηλής ευαισθησίας 30 mA.

Χαρακτηριστικά

Η συσκευή αυτή διαθέτει μερικά ή όλα από τα παρακάτω χαρακτηριστικά.

1. Κουτί διακόπτη
2. Κουμπί on/off (ενεργοποίησης/απενεργοποίησης)
3. Σκανδάλη εκκίνησης
4. Πάνω λαβή
5. Κάτω λαβή
6. Δοχείο συλλογής γρασιδιού
7. Κάλυμμα μοτέρ
8. Λαβή μεταφοράς

Συναρμολόγηση

Προειδοποίηση! Πριν από τη συναρμολόγηση, βεβαιωθείτε ότι η συσκευή είναι απενεργοποιημένη και ότι το φως δεν είναι συνδεδεμένο στην πρίζα.

Συναρμολόγηση του δοχείου συλλογής γρασιδιού (εικ. Α, Β και C)

Το δοχείο συλλογής γρασιδιού χρειάζεται συναρμολόγηση πριν τη χρήση και παρέχεται σε 3 μέρη.

- ♦ Κουμπώστε τη λαβή (6a) στο καπάκι (6b) του δοχείου συλλογής γρασιδιού (εικ. Β). Η λαβή προσαρμόζεται μόνο κατά ένα τρόπο.
- ♦ Ευθυγραμμίστε το καπάκι (6b) πάνω στη βάση του δοχείου συλλογής γρασιδιού (6c). Βεβαιωθείτε ότι οι οδηγοί είναι ευθυγραμμισμένοι (εικ. C).

Σημείωση: Προσέχετε ιδιαίτερα κατά την ευθυγράμμιση των 2 κλιπ στο πίσω μέρος του δοχείου συλλογής γρασιδιού.

- ♦ Πίεστε το καπάκι για να ασφαλίσουν όλα τα κλιπ. Ξεκινήστε στο πίσω μέρος και εξασφαλίστε ότι όλα τα κλιπ είναι σωστά τοποθετημένα.

Τοποθέτηση του δοχείου συλλογής γρασιδιού (εικ. D)

- ♦ Σηκώστε το περυνγίο (8) και τοποθετήστε το δοχείο συλλογής γρασιδιού (6) πάνω στις προεξοχές.

Τοποθέτηση του κουτιού διακόπτη (εικ. E)

- ♦ Ευθυγραμμίστε τους πλαστικούς πείρους στο κουτί διακόπτη (1) με τις οπές στη λαβή (1b) εξασφαλίζοντας ότι το κουτί διακόπτη βρίσκεται στην επάνω πλευρά της λαβής.
- ♦ Περάστε τους πλαστικούς πείρους στο κουτί διακόπτη (1) μέχρι τέρμα στις οπές της λαβής.
- ♦ Περάστε το πλαστικό καπάκι (1b) μέσα στις λεπτές ράγες στο κουτί διακόπτη (1).
- ♦ Στερεώστε το πλαστικό καπάκι (1b) με τις 2 παρεχόμενες βίδες.

Τοποθέτηση της κάτω λαβής (εικ. F)

- ♦ Εισάγετε τα άκρα της κάτω λαβής (5) στις αντίστοιχες οπές της μηχανής.
- ♦ Πίεστε προς τα κάτω τη λαβή μέχρι να τερματίσει.

- ◆ Ασφαλίστε τη λαβή χρησιμοποιώντας τις βίδες (5a).

Συναρμολόγηση της πάνω λαβής (εικ. G)

- ◆ Προσαρμόστε την πάνω λαβή (4) στην κάτω λαβή (5) χρησιμοποιώντας τα κουμπιά (4a), τις ροδέλες (4c) και τις βίδες (4b) όπως δείχνει η εικόνα.

Σημείωση: Η πάνω λαβή μπορεί να στερεωθεί σε 2 θέσεις διαφορετικού ύψους.

Ενεργοποίηση και απενεργοποίηση (εικ. Η)

Ενεργοποίηση

- ◆ Πατήστε το κουμπί ενεργοποίησης/απενεργοποίησης (2).
- ◆ Τραβήξτε τη σκανδάλη εκκίνησης (3) προς τη λαβή.

Απενεργοποίηση

- ◆ Ελευθερώστε τη σκανδάλη εκκίνησης (3).

Προειδοποίηση! Μην επιχειρήσετε ποτέ να ασφαλίσετε ένα διακόπτη στην ενεργοποιημένη θέση.

Ρύθμιση του ύψους κοπής (εικ. Ι)

Προειδοποίηση! Βεβαιωθείτε ότι η λεπίδα έχει ακινητοποιηθεί εντελώς και αποσυνδέστε τη συσκευή από το ρεύμα.

Το ύψος κοπής ρυθμίζεται με τη μεταβολή του ύψους όλων των τροχών, υπάρχουν 3 θέσεις για να επιλέξετε.

- ◆ Αφαιρέστε το δοχείο συλλογής γρασιδιού (7).
- ◆ Γυρίστε ανάποδα τη χλοοκοπτική μηχανή.
- ◆ Κρατήστε ένα τροχό (24) και σπρώξτε/τραβήξτε τον άξονα από την τρέχουσα θέση του.
- ◆ Μετακινήστε τον τροχό (24) επάνω/κάτω στην επόμενη διαθέσιμη θέση.

Σημείωση: Ρυθμίζετε ένα τροχό κάθε φορά. Ρυθμίζετε μία θέση ύψους κάθε φορά.

Κοπή ως το άκρο (εικ. J, K)

Η κοπή ως το άκρο σας επιτρέπει να κόψετε χόρτο μέχρι την πλευρά ενός τούχου ή φράκτη (εικ. J).

Η κοπή ως το άκρο σας επιτρέπει να κόψετε με ακρίβεια γρασιδί μέχρι το άκρο του γκαζόν σας (εικ. K).

- ◆ Με τη χλοοκοπτική μηχανή παράλληλα με το άκρο του γκαζόν σας, σπρώξτε την χλοοκοπτική μηχανή κατά μήκος του άκρου του γρασιδιού. Βεβαιωθείτε το άκρο της χλοοκοπτικής μηχανής εφάπαξ από τα όρια του γκαζόν (εικ. K).

Αντικατάσταση της λεπίδας (εικ. L)

Προειδοποίηση! Βεβαιωθείτε ότι η λεπίδα έχει ακινητοποιηθεί εντελώς και αποσυνδέστε τη συσκευή από το ρεύμα.

Προειδοποίηση! Χρησιμοποιείτε αποκλειστικά την καθορισμένη ανταλλακτική λεπίδα.

Προειδοποίηση! Χρησιμοποιήστε γάντια βαρέως τύπου για να πιάσετε τη λεπίδα.

Για να αφαιρέσετε τη λεπίδα:

- ◆ Γυρίστε τη συσκευή στο πλάι.
- ◆ Χρησιμοποιώντας γάντια βαρέως τύπου, πιάστε τη λεπίδα.

- ◆ Χρησιμοποιήστε ένα κλειδί 13 mm για να λασκάρετε και να αφαιρέσετε το μπουλόνι (10) της λεπίδας περιστρέφοντας το κλειδί αριστερόστροφα.
- ◆ Αφαιρέστε τη λεπίδα (9) και το μπουλόνι της λεπίδας (10).

Για να αντικαταστήσετε τη λεπίδα:

- ◆ Προσαρμόστε τη λεπίδα στον άξονα του μπουλονιού και τοποθετήστε το μπουλόνι (10) της λεπίδας μέσα στον άξονα του μπουλονιού.

Σημείωση: Κατά την τοποθέτηση της λεπίδας, το κείμενο που αναγράφεται σε αυτήν θα πρέπει να είναι στραμμένο προς εσάς.

- ◆ Σφίξτε το μπουλόνι (10) της λεπίδας όσο το δυνατό περισσότερο με το χέρι.
- ◆ Χρησιμοποιώντας γάντια βαρέως τύπου, πιάστε τη λεπίδα.
- ◆ Χρησιμοποιήστε ένα κλειδί 13 mm για να σφίξετε καλά το μπουλόνι (10) της λεπίδας περιστρέφοντας το κλειδί δεξιόστροφα.

Κούρεμα του γκαζόν (εικ. M1 & M2)

Συνιστούμε να χρησιμοποιείτε τη χλοοκοπτική μηχανή σας όπως υποδεικνύεται σε αυτή την ενότητα, ώστε να έχετε τα καλύτερα δυνατά αποτελέσματα και να μειωθεί ο κίνδυνος να κόψετε το καλώδιο ρεύματος.

- ◆ Τοποθετήστε το μεγαλύτερο μέρος του καλωδίου ρεύματος πάνω στο γκαζόν κοντά στο σημείο έναρξης της εργασίας σας (εικ. M1, θέση 1).
- ◆ Ενεργοποιήστε τη συσκευή όπως περιγράφεται παραπάνω.
- ◆ Συνεχίστε την εργασία όπως υποδεικνύεται στην εικ. M1
- ◆ Μετακινήθείτε από τη θέση 1 στη θέση 2.
- ◆ Στρίψτε δεξιά και προχωρήστε προς τη θέση 3.
- ◆ Στρίψτε αριστερά και μετακινήθείτε προς τη θέση 4.
- ◆ Επαναλάβετε την παραπάνω διαδικασία όπως απαιτείται.

Προειδοποίηση! Μην εργάζεστε με κατεύθυνση προς το καλώδιο όπως υποδεικνύεται στην Εικ. N2.

Ακόνισμα της λεπίδας

Σημείωση: Η μηχανή BEMW451 χρησιμοποιεί τη λεπίδα BLACK+DECKER (αρ. καταλ. A6305). Διατηρείτε τη λεπίδα κοφτερή για να έχετε την καλύτερη δυνατή απόδοση από τη χλοοκοπτική μηχανή. Μια στομαμένη λεπίδα δεν κόβει καλά το γρασιδί. Χρησιμοποιείτε κατάλληλη προστασία των ματιών ενώ αφαιρείτε, ακονίζετε και εγκαθιστάτε τη λεπίδα. Το καθάρισμα της λεπίδας δύο φορές κατά τη διάρκεια της εποχής κούρεματος του γκαζόν είναι συνήθως αρκετό υπό κανονικές συνθήκες. Το αμμώδες χρώμα στομώνει τη λεπίδα γρήγορα. Αν το γκαζόν σας έχει αμμώδες έδαφος, ίσως να απαιτείται συχνότερο ακόνισμα της λεπίδας.

Σημείωση: Αντικαταστήστε άμεσα τη λεπίδα αν έχει λυγίσει ή έχει υποστεί ζημιά.

Όταν ακονίζετε τη λεπίδα:

- ◆ Βεβαιωθείτε ότι η λεπίδα παραμένει ζυγοσταθμισμένη.
- ◆ Ακονίζετε τη λεπίδα στην αρχική της γωνία κοπής.
- ◆ Ακονίζετε τις άκρες κοπής και από τις δύο πλευρές της λεπίδας, αφαιρώντας ίσες ποσότητες υλικού και από τα δύο άκρα.

Για να ακονίσετε λεπίδα σε μέγγενη (εικ. N)

- ◆ Βεβαιωθείτε ότι η λεπίδα έχει σταματήσει και η χλοοκοπτική μηχανή έχει αποσυνδεθεί από την πρίζα, πριν αφαιρέσετε τη λεπίδα.
- ◆ Αφαιρέστε τη λεπίδα από τη χλοοκοπτική μηχανή. Δείτε τις οδηγίες για αφαίρεση και εγκατάσταση της λεπίδας.

- ◆ Στερεώστε τη λεπίδα (9) σε μια μέγερνη (11).
- ◆ Φοράτε κατάλληλη προστασία ματιών και γάντια και προσέχετε να μην κοπείτε. Λιμάρτε προσεκτικά τις άκρες κοπής της λεπίδας με μια λίμα με λεπτές οδοντώσεις (12) ή με μια πέτρα ακονίσματος, διατηρώντας τη γωνία της αρχικής άκρης κοπής. Ελέγξτε τη ζυγοστάθμιση της λεπίδας. Δείτε τις οδηγίες σχετικά με τη ζυγοστάθμιση της λεπίδας.
- ◆ Επανατοποθετήστε τη λεπίδα στη χλοοκοπτική μηχανή και σφίξτε καλά.

Ζυγοστάθμιση της λεπίδας (εικ. Ο)

Ελέγξτε τη ζυγοστάθμιση της λεπίδας (9) τοποθετώντας την κεντρική της οπή πάνω σε ένα καρφί ή σε ένα καταβίδι με στρογγυλό στέλεχος, που έχει συσφιχτεί οριζόντια σε μέγερνη. Αν κάποιο από τα δύο άκρα της λεπίδας περιστρέφεται προς τα κάτω, λιμάρτε κατά μήκος της αιχμηρής ακμής αυτού του άκρου που πέφτει. Η λεπίδα είναι σωστά ζυγοσταθμισμένη όταν δεν πέφτει κανένα από τα δύο άκρα.

Λίπανση

Δεν απαιτείται λίπανση. Μη λιπαίνετε τους τροχούς. Έχουν πλαστικές επιφάνειες έδρασης οι οποίες δεν χρειάζονται λίπανση.

Καθαρισμός

Απενεργοποίησε τη χλοοκοπτική μηχανή και περιμένετε να σταματήσει η λεπίδα. Για τον καθαρισμό της μηχανής, χρησιμοποιήστε αποκλειστικά ήπιο σαπούνι και υγρό πανί. Καθαρίστε τυχόν κομμάτια γρασιδιού που μπορεί να έχουν συσσωρευτεί από την κάτω πλευρά του δαπέδου της μηχανής. Μετά από αρκετές χρήσεις, ελέγξτε όλους τους εκτεθειμένους συνδέσμους εάν είναι σφιγμένοι καλά.

Προστασία από τη διάβρωση

Λιπάσματα και άλλα χημικά κήπου περιέχουν παράγοντες που επιταχύνουν σε μεγάλο βαθμό τη διάβρωση των μετάλλων. Εάν κουρεύετε γκαζόν σε περιοχές όπου έχουν χρησιμοποιηθεί λιπάσματα ή χημικά, πρέπει να καθαρίζετε τη χλοοκοπτική αμέσως μετά τη χρήση της ως εξής:

Απενεργοποίησε τη χλοοκοπτική μηχανή και αποσυνδέστε την από την πρίζα. Σκουπίστε όλα τα εκτεθειμένα μέρη με ένα υγρό πανί.

Συντήρηση

Αυτή η συσκευή/το εργαλείο ρεύματος/μπαταρίας της BLACK+DECKER έχει σχεδιαστεί έτσι ώστε να λειτουργεί για μεγάλο χρονικό διάστημα με την ελάχιστη δυνατή συντήρηση. Η αδιάλειπτα ικανοποιητική λειτουργία του εργαλείου/συσκευής εξαρτάται από τη σωστή φροντίδα και τον τακτικό καθαρισμό του.

Προειδοποίηση! Πριν πραγματοποιήσετε οποιαδήποτε συντήρηση σε ηλεκτρικά εργαλεία με καλώδιο/χωρίς καλώδιο:

- ◆ Απενεργοποίησε και αποσυνδέστε τη συσκευή/το εργαλείο από την πρίζα.
- ◆ Ή χρησιμοποιήστε τη συσκευή μέχρι να εξαντληθεί πλήρως η μπαταρία, αν είναι ενσωματωμένη, και στη συνέχεια απενεργοποίησε τη συσκευή.
- ◆ Πριν τον καθαρισμό του φορτιστή αποσυνδέστε τον από την πρίζα. Ο φορτιστής σας δεν χρειάζεται καμία άλλη συντήρηση πέραν του τακτικού καθαρισμού.

- ◆ Να καθαρίζετε τακτικά τις εγκοπές εξαιρισμού του εργαλείου/της συσκευής και του φορτιστή με μια μαλακή βούρτσα ή ένα στεγνό πανί.
- ◆ Να καθαρίζετε τακτικά το περίβλημα του μοτέρ με ένα ελαφρά υγρό πανί. Μη χρησιμοποιείτε λειαντικά καθαριστικά ή υγρά καθαρισμού που περιέχουν διαλυτικά.
- ◆ Χρησιμοποιείτε τακτικά μια μη αιχμηρή ξύστρα για να αφαιρέσετε το γρασίδι και το χύμα από το κάτω μέρος του προστατευτικού.

Αντιμέτωπιση προβλημάτων

Αν η συσκευή σας φαίνεται να μη λειτουργεί σωστά, ακολουθήστε τις παρακάτω οδηγίες. Αν αυτό δεν σας βοηθήσει να επιλύσετε το πρόβλημα, επικοινωνήστε με το πλησιέστερο κέντρο επισκευών της BLACK+DECKER. **Προειδοποίηση!** Πριν συνεχίσετε, απελευθερώστε τη μπάρα λειτουργίας για να απενεργοποιήσετε τη χλοοκοπτική μηχανή και περιμένετε να σταματήσει η λεπίδα.

Πρόβλημα	Πιθανή αιτία	Πιθανή λύση
Το μόνιωμα δεν λειτουργεί.	Απενεργοποιημένη τροφοδοσία.	Ενεργοποίησε την τροφοδοσία.
	Ελαττωματική/καμένη ασφάλεια.	Αντικατάστησε την ασφάλεια.
	Υπερβολικό ύψος γρασιδιού.	Αυξήστε το ύψος κοπής και μετακινήστε τη μηχανή σε πιο κατά γρασίδι για να ξεκινήσετε.
Το μόνιωμα λειτουργεί διακοπόμενα.	Ενεργοπήθηκε ο θερμικός διακόπτης.	Αφήστε τον κινητήρα να κρυώσει και αυξήστε το ύψος κοπής.
	Το μόνιωμα δεν δίνει ομοιόμορφο αποτέλεσμα ή δυσκολεύεται ο κινητήρας.	Υπερβολικά χαμηλό ύψος κοπής. Στοματωμένη λεπίδα κοπής.
	Αποφραγμένο κάτω μέρος μηχανής.	Ελέγξτε κάτω από τη μηχανή και καθαρίστε εάν χρειάζεται (φοράτε πάντοτε γάντια βαρέως τύπου)
	Λεπίδα τοποθετημένη ανάποδα.	Επανατοποθετήστε σωστά τη λεπίδα.

Προστασία του περιβάλλοντος



Χωριστή συλλογή. Τα προϊόντα και οι μπαταρίες που επισημαίνονται με αυτό το σύμβολο δεν πρέπει να απορρίπτονται μαζί με τα κανονικά οικιακά απορρίμματα.

Τα προϊόντα και οι μπαταρίες περιέχουν υλικά που μπορούν να ανακτηθούν ή να ανακυκλωθούν, ώστε να μειωθούν οι ανάγκες για πρώτες ύλες. Παρακαλούμε να ανακυκλώνετε τα ηλεκτρικά προϊόντα και τις μπαταρίες σύμφωνα με τους τοπικούς κανονισμούς. Περισσότερες πληροφορίες διατίθενται στον ιστότοπο www.2helpU.com

Τεχνικά δεδομένα

		BEMW451
Τάση	V _{ac}	230
Κατανάλωση ισχύος	W	1200
Ταχύτητα χωρίς φορτίο	min ⁻¹	3600
Ρύθμιση ύψους	mm	23 - 63
Μήκος λεπίδας	mm	320
Βάρος	kg	8.33

Σταθμισμένη τιμή κραδασμών συστήματος χεριού/βραχίονα:
 $= 2,5 \text{ m/s}^2$, αβεβαιότητα (K) = $1,5 \text{ m/s}^2$.

Στάθμη ηχητικής πίεσης στο αυτί του χειριστή:
 L_{PA} : 78, 5 dB(A), K= 4, 0 dB(A)

Στάθμη ηχητικής ισχύος L_{WA} : 93 dB(A), K= 3 dB(A)

Δήλωση συμμόρφωσης ΕΚ ΟΔΗΓΙΑ ΠΕΡΙ ΜΗΧΑΝΗΜΑΤΩΝ

ΟΔΗΓΙΑ ΓΙΑ ΘΟΡΥΒΟΥΣ ΣΕ ΕΞΩΤΕΡΙΚΟΥΣ ΧΩΡΟΥΣ



BEMW451 Χλοοκοπτική μηχανή

Η Black & Decker δηλώνει ότι τα προϊόντα αυτά που περιγράφονται στα "τεχνικά χαρακτηριστικά" συμμορφώνονται με τα ακόλουθα: 2006/42/EK, EN 60335-1:2012 + A11:2014, EN 60335-2-77:2010 2000/14/EK, Χλοοκοπτική μηχανή, L < 50cm, Παράρτημα VI, DEKRA Certification B.V. Meander 1051 / P.O. Box 5185 6825 MJ ARNHEM / 6802 ED ARNHEM Ολλανδία.

Στάθμη ηχητικής ισχύος σύμφωνα με 2000/14/EK (Άρθρο 12, Παράρτημα III, L < 50 cm):

μετρημένη στάθμη ηχητικής ισχύος L_{WA} : 93 dB(A), K= 3 dB(A).
 εγγυημένη στάθμη ηχητικής ισχύος LWA: 96 dB(A).

Αυτά τα προϊόντα συμμορφώνονται επίσης με την οδηγία 2014/30/EE, 2011/65/EE. Για περισσότερες πληροφορίες, επικοινωνήστε με την Black & Decker στην παρακάτω διεύθυνση ή ανατρέξτε στο πίσω μέρος του εγχειρίδιου.

Ο κάτωθι υπογεγραμμένος είναι υπεύθυνος για την κατάρτιση του τεχνικού φακέλου και δηλώνει τα παρόντα εκ μέρους της Black & Decker.

R. Laverick
 Διευθυντής Σχεδιασμού
 Black & Decker Europe, 210 Bath Road, Slough,
 Berkshire, SL1 3YD
 United Kingdom
 27/10/2017

Εγγύηση

Η Black & Decker είναι σίγουρη για την ποιότητα των προϊόντων της και προσφέρει στους καταναλωτές εγγύηση 24 μηνών από την ημερομηνία αγοράς. Αυτή η εγγύηση συμπληρώνει και με κανένα τρόπο δεν παραβιάζει τα νόμιμα δικαιώματά σας. Η εγγύηση ισχύει εντός της επικράτειας των χωρών μελών της Ευρωπαϊκής Ένωσης και της Ευρωπαϊκής Ζώνης Ελεύθερων Συναλλαγών.

Για να υποβάλετε αξίωση βάσει της εγγύησης, η αξίωση θα πρέπει να είναι σύμφωνη με τους Όρους και προϋποθέσεις της Black & Decker και θα χρειαστεί να υποβάλτε απόδειξη αγοράς στον πωλητή ή σε εξουσιοδοτημένο αντιπρόσωπο επισκευών. Μπορείτε να αποκτήσετε τους Όρους και προϋποθέσεις της εγγύησης 2 ετών της Black & Decker και να μάθετε την τοποθεσία του πλησιέστερου εξουσιοδοτημένου αντιπροσώπου επισκευών στο Internet στο www.2helpU.com, ή επικοινωνώντας με το τοπικό σας γραφείο Black & Decker στη διεύθυνση που υποδεικνύεται στο παρόν εγχειρίδιο.

Παρακαλούμε επισκεφθείτε την ιστοσελίδα μας www.blackanddecker.gr για να καταχωρίσετε το νέο σας προϊόν Black & Decker και για να ενημερώνεστε για τα νέα προϊόντα και τις ειδικές προσφορές.

België/Belgique/Luxembourg www.blackanddecker.be enduser.be@sbdinc.com	Stanley Black & Decker Belgium BVBA Egide Walschaertsstraat 16 2800 Mechelen	Tel. NL +32 15 47 37 65 Tel. FR +32 15 47 37 66 Fax. +32 15 47 37 99
Danmark	Black & Decker Roskildevej 22 2620 Albertslund	kundeservice.dk@sbdinc.com www.blackanddecker.dk
Deutschland www.blackanddecker.de infobfge@sbdinc.com	Stanley Black & Decker Deutschland GmbH Black & Decker Str. 40, D - 65510 Idstein	Tel. 06126 21-0 Fax 06126 21-2980
Ελλάδα www.blackanddecker.gr greece.service@sbdinc.com	Stanley Black & Decker (ΕΛΛΑΣ) Ε.Π.Ε ΓΡΑΦΕΙΑ: Σπύριδωνος 7 & Βουλιαγμένης 166 74 Γλυφάδα - Αθήνα	Τηλ. 210-8981616 Φαξ 210-8983570
SERVICE:	Ημερος Τόπος 2 -Χάνι Αδάμ 193 00 Ασπρόπυργος - Αθήνα	Τηλ. Service 210-8985208 Φαξ 210-5597598
España www.blackanddecker.es respuesta.posventa@sbdinc.com	Stanley Black & Decker Ibérica, S.C.A. Parc de Negocis "Mas Blau" Edificio Muntadas, c/Bergadá, 1, Of. A6 08820 El Prat de Llobregat (Barcelona)	Tel. 934 797 400 Fax 934 797 419
France www.blackanddecker.fr	Black & Decker (France) S.A.S. 5 allée des Hêtres B.P. 30084 69579 Limonest Cédex	Tel. 04 72 20 39 20 Fax 04 72 20 39 00
Helvetia www.blackanddecker.ch service@rofoag.ch	ROFO AG Gewerbezone Seeblick 3213 Kleinbödingen	Tel. 026-6749393 Fax 026-6749394
Italia www.blackanddecker.it service.italia@sbdinc.com	Stanley Black & Decker Italia Via Energypark 6 20871 Vimercate (MB)	Tel. 039-9590200 Fax 039-9590313 Numero verde 800-213935
Nederland www.blackanddecker.nl enduser.nl@sbdinc.com	Stanley Black & Decker Netherlands BV Holtum Noordweg 35, 6121 RE BORN Postbus 83, 6120 AB BORN	Tel. +31 164 283 065 Fax +31 164 283 200
Norge	Black & Decker Postboks 4613, Nydalen 0405 Oslo	kundeservice.no@sbdinc.com www.blackanddecker.no
Österreich www.blackanddecker.at service.austria@sbdinc.com	Stanley Black & Decker Austria GmbH Oberlaaerstraße 248, A-1230 Wien	Tel. 01 66116-0 Fax 01 66116-614
Portugal www.blackanddecker.pt resposta.posvenda@sbdinc.com	Black & Decker Limited SARL Quinta da Fonte - Edifício Q55 D. Diniz Rua dos Malhães, 2 e 2A - Piso 2 Esquerdo 2770 - 071 Paço de Arcos	Tel. 214667500 Fax 214667580
Suomi	Black & Decker PL47 00521, Helsinki	asiakaspalvelu.fi@sbdinc.com www.blackanddecker.fi
Sverige	Black & Decker AB Box 94, 431 22 Mölndal	kundservice.se@sbdinc.com www.blackanddecker.se
Türkiye www.blackanddecker.com.tr	KALE Hırdavat ve Makina A.Ş. Defferdar Mah. Savaklar Cad. No:15 Edimekapı / Eyüp / İstanbul 34050	Tel. 0212 533 52 55 Fax. 0212 533 10 05
United Kingdom & Republic Of Ireland www.blackanddecker.co.uk emeaservice@sbdinc.com	Black & Decker 210 Bath Road Slough, Berkshire SL1 3YD	Tel. 01753 511234 Fax 01753 512365
Middle East & Africa www.blackanddecker.ae service.mea@sbdinc.com	Black & Decker P.O.Box - 17164 Jebel Ali Free Zone (South), Dubai, UAE	Tel. +971 4 8863030 Fax +971 4 8863333